

# Connector - SACC-M12MS-5CON-PG 7 - 1662256

Please be informed that the data shown in this PDF Document is generated from our Online Catalog. Please find the complete data in the user's documentation. Our General Terms of Use for Downloads are valid (<http://download.phoenixcontact.com>)



Sensor/actuator connector, male, straight, 5-pos., M12, A-coded, screw connection, plastic knurl, cable screw connection Pg7

## Product Features

- ✔ Safe use in the field, thanks to a high degree of protection
- ✔ Flexible: connectors for on-site assembly
- ✔ Screw connection: proven connection technology for a large selection of different conductors

## Key commercial data

package_quantity	1
GTIN	4017918100445

## Technical data

### Dimensions

External diameter	4 mm ... 6 mm
-------------------	---------------

### Ambient conditions

Ambient temperature (operation)	-40 °C ... 85 °C (Plug / socket)
Degree of protection	IP67

### General

Rated current at 40°C	4 A
Rated voltage	60 V
Number of positions	5
Contact resistance	≤ 8 mΩ
Insulation resistance	≥ 100 MΩ
Coding	A - standard
Standards/regulations	M12 connector IEC 61076-2-101
Status display	No
Surge voltage category	II
Pollution degree	3
Connection method	Screw connection
Conductor cross section	0.25 mm <sup>2</sup> ... 0.75 mm <sup>2</sup>
AWG conductor cross section	24 ... 18
Insertion/withdrawal cycles	≥ 100
Torque	0.4 Nm (M12 knurl)

# Connector - SACC-M12MS-5CON-PG 7 - 1662256

## Technical data

### General

<b>Torque</b>	0.2 Nm (Screw terminal blocks)
<b>Torque</b>	0.8 Nm ... 1 Nm (Pressure screw)
<b>Tightening torque</b>	Screw plug insert with sleeve housing as far it will go
<b>Assembly instructions</b>	The wires can be connected both with ferrules and without ferrules

### Material

<b>Inflammability class according to UL 94</b>	HB
<b>Contact material</b>	CuZn
<b>Contact surface material</b>	CuSnZn
<b>Contact carrier material</b>	PA 66
<b>Material of grip body</b>	PBT
<b>Material, knurls</b>	Plastic
<b>Sealing material</b>	NBR

## classifications

### eCl@ss

<b>eCl@ss 4.0</b>	27140815
<b>eCl@ss 4.1</b>	27140815
<b>eCl@ss 5.0</b>	27260701
<b>eCl@ss 5.1</b>	27260701
<b>eCl@ss 6.0</b>	27279221
<b>eCl@ss 7.0</b>	27440104
<b>eCl@ss 8.0</b>	27440104

### ETIM

<b>ETIM 2.0</b>	EC001121
<b>ETIM 3.0</b>	EC002062
<b>ETIM 4.0</b>	EC002062
<b>ETIM 5.0</b>	EC002062

### UNSPSC

<b>UNSPSC 6.01</b>	31251501
<b>UNSPSC 7.0901</b>	31251501
<b>UNSPSC 11</b>	31251501
<b>UNSPSC 12.01</b>	31251501
<b>UNSPSC 13.2</b>	31251501

## approvals

---

GOST / GOST / UL Recognized / cUL Recognized / cULus Recognized /

---

### Approval details

# Connector - SACC-M12MS-5CON-PG 7 - 1662256

## approvals

GOST

UL Recognized

Nominal voltage UN	60 V
Nominal current IN	4 A
mm <sup>2</sup> /AWG/kcmil	

cUL Recognized

Nominal voltage UN	60 V
Nominal current IN	4 A
mm <sup>2</sup> /AWG/kcmil	

cULus Recognized

## accessories

### Seal

SACC-M12-SET/2,5-3,5 - 1436505



### Torque tool

## Connector - SACC-M12MS-5CON-PG 7 - 1662256

### accessories

TSD 04 SAC - 1208429



---

TSD-M 1,2NM - 1212224



---

### Screwdriver tools

TSD-M SAC-BIT ADAPTER - 1212600



---

SACC BIT M12-D20 - 1208445



---

### Protective cap

PROT-M12 FS-PA-CHAIN - 1430873



---

### Cable by the meter

# Connector - SACC-M12MS-5CON-PG 7 - 1662256

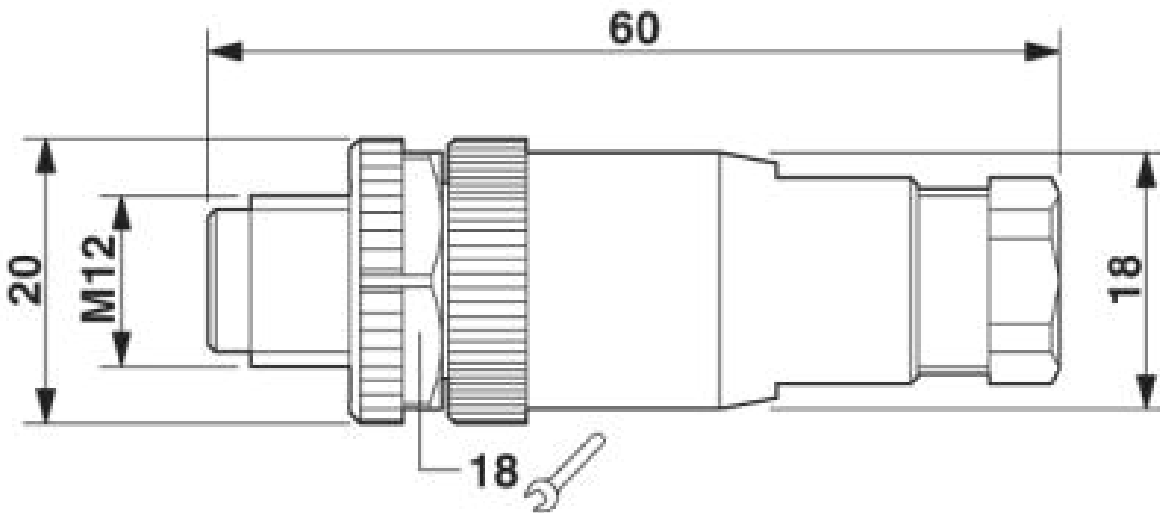
accessories

SAC-5P-100,0-PUR/0,34 - 1501676



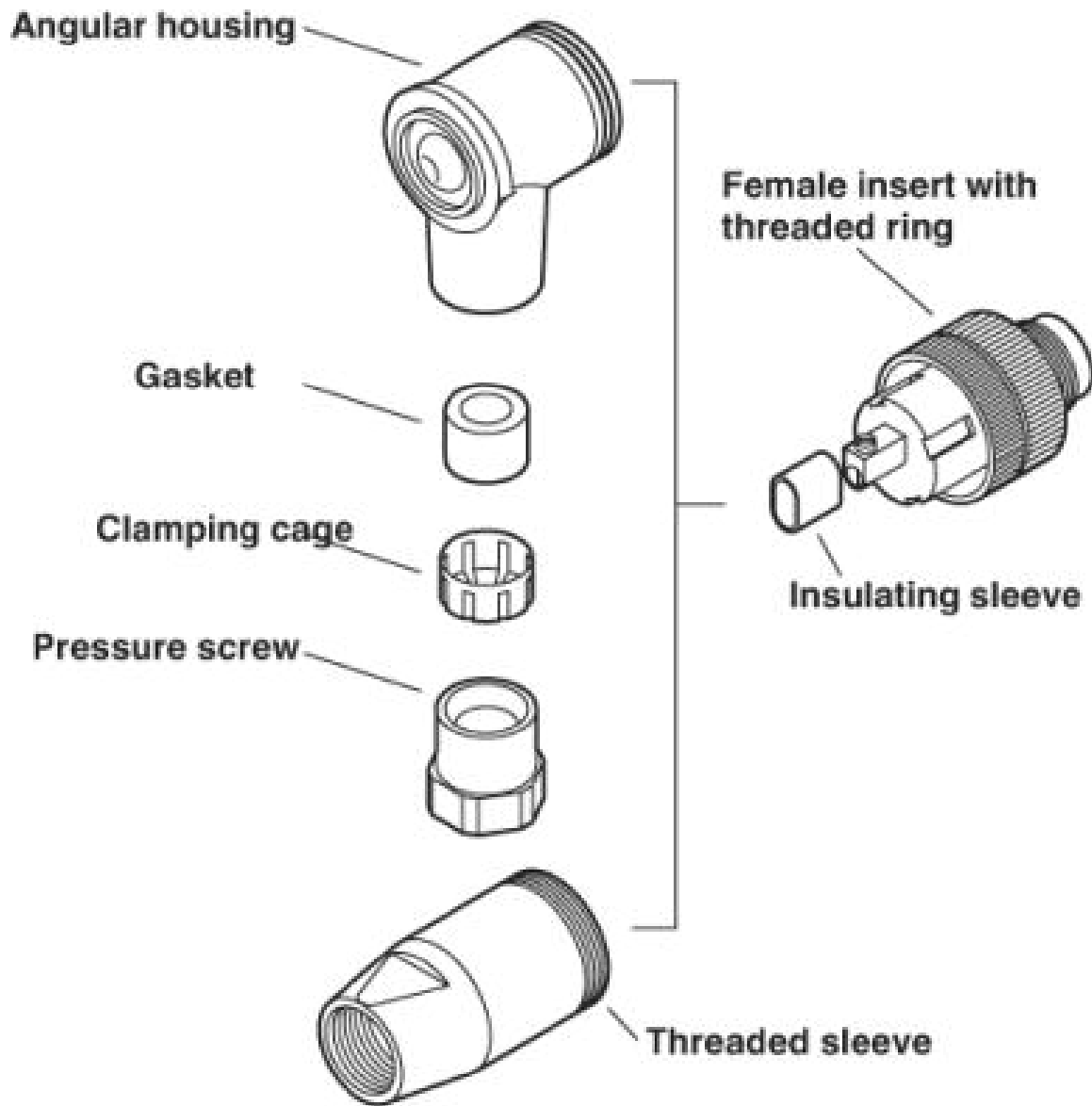
## Drawings

Dimensioned drawing



# Connector - SACC-M12MS-5CON-PG 7 - 1662256

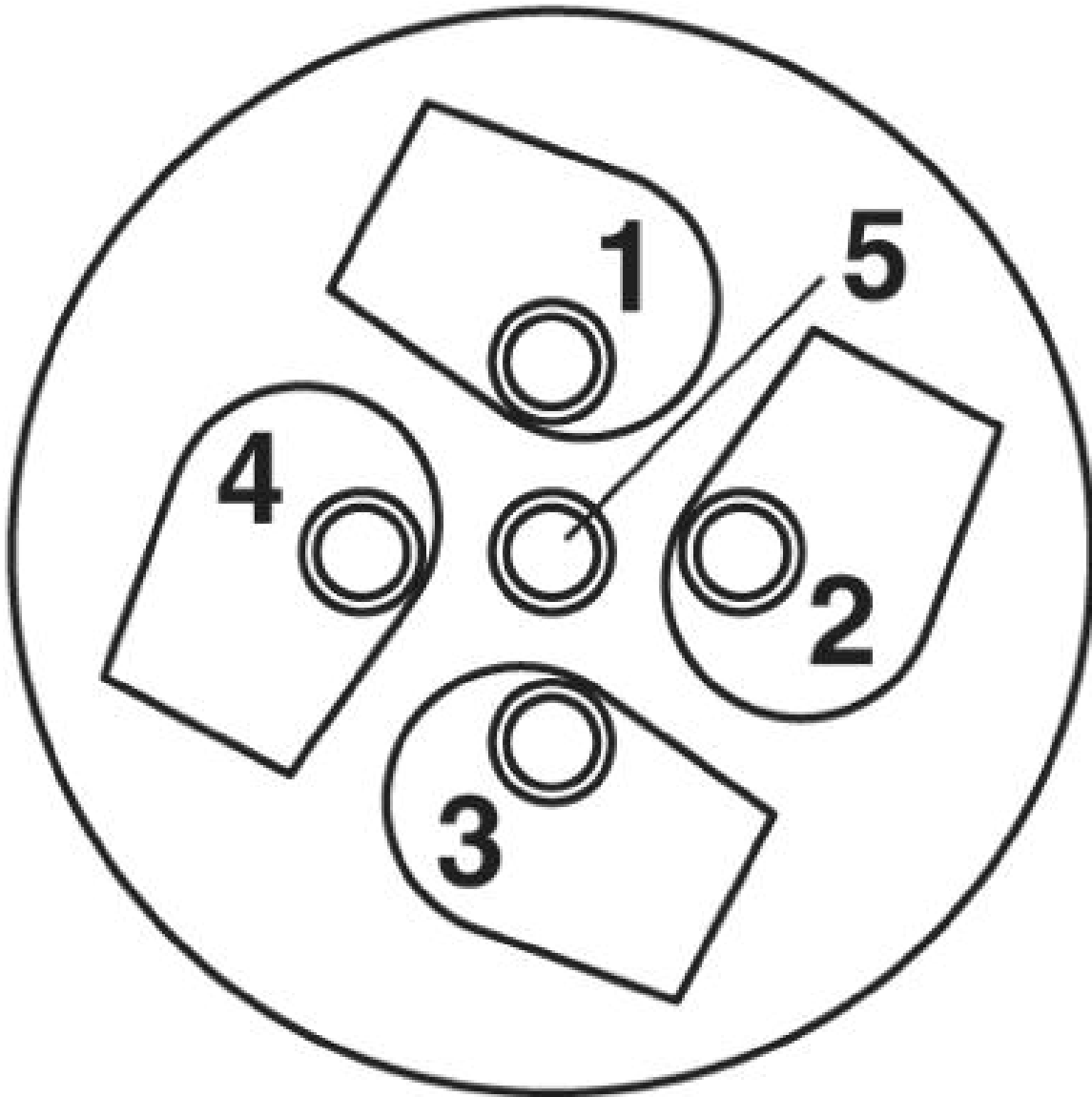
Schematic diagram



Male/Female M12

# Connector - SACC-M12MS-5CON-PG 7 - 1662256

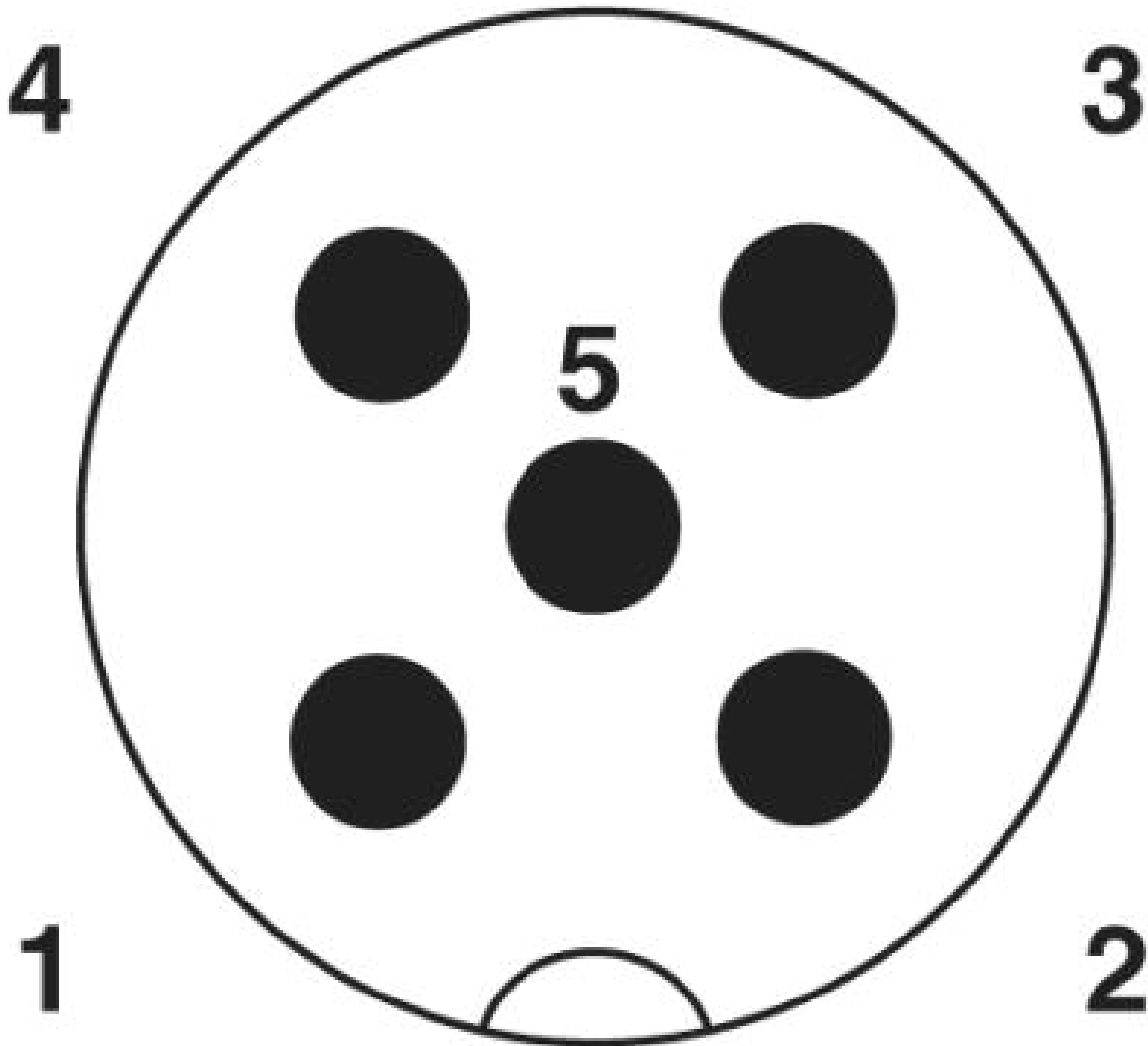
Schematic diagram



Cable connection side M12 (screw connection)

# Connector - SACC-M12MS-5CON-PG 7 - 1662256

Schematic diagram



Pin assignment, plug M 12 (male side)

© Phoenix Contact 2014 - all rights reserved  
<http://www.phoenixcontact.com>