

RC-09P1N12T0B7

Order No.: 1595296

The figure shows the 12-pos. product version

<http://eshop.phoenixcontact.net/phoenix/treeViewClick.do?UID=1595296>

Cable connector, angled, shielded: Yes, Screw locking, M23, Number of positions: 8+1, Type of contact: Male connector, Solder connection, Cable diameter: 8 mm ... 9.5 mm

Commercial data	
EAN	 4 046356 205948
Note	Made-to-order
Pack	8 pcs.
Customs tariff	85366990
Gross weight in pieces	0.15119 KG
Net weight per piece (exclusive packing)	0.13899 KG

Product notes

WEEE/RoHS-compliant since:
01/01/2003

<http://www.download.phoenixcontact.com>
Please note that the data given here has been taken from the online catalog. For comprehensive information and data, please refer to the user documentation. The General Terms and Conditions of Use apply to Internet downloads.

Certificates / Approvals

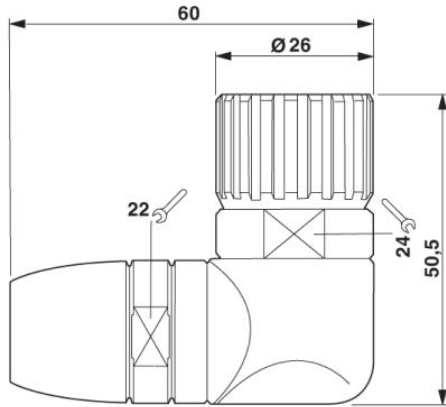
Certification

Certifications applied for:

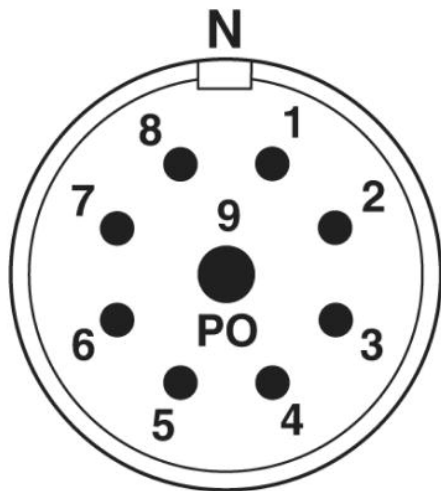
Certification Ex:

Diagrams/Drawings

Dimensioned drawing



Schematic diagram



Address

PHOENIX CONTACT Ltd
Halesfield 13
Telford Shropshire TF7 4PG,GB
Phone 01952 681 700
Fax 01952 681 799
<http://www.phoenixcontact.co.uk>



© 2014 Phoenix Contact
Technical modifications reserved;