

# Connector - SACC-M 8MS-3PCON - 1506752

Please be informed that the data shown in this PDF Document is generated from our Online Catalog. Please find the complete data in the user's documentation. Our General Terms of Use for Downloads are valid (<http://download.phoenixcontact.com>)



Sensor/actuator connector, male, straight, 3-pos., M8, Piercecon<sup>®</sup>, metal knurl, cable diameter max. 5 mm

## Product Features

- Safe use in the field, thanks to a high degree of protection
- Flexible: connectors for on-site assembly
- Piercecon<sup>®</sup> connection: maximum contact density in a connector that can be assembled

## Key commercial data

<b>package_quantity</b>	1
<b>GTIN</b>	4017918892678

## Technical data

### Dimensions

<b>External diameter</b>	3 mm ... 5 mm
<b>Stripping length of the sheath</b>	35 mm

### Ambient conditions

<b>Ambient temperature (operation)</b>	-25 °C ... 85 °C (Plug / socket)
<b>Degree of protection</b>	IP68

### General

<b>Rated current at 40°C</b>	4 A
<b>Rated voltage</b>	60 V
<b>Number of positions</b>	3
<b>Contact resistance</b>	≤ 3 mΩ
<b>Insulation resistance</b>	≥ 100 MΩ
<b>Coding</b>	A - standard
<b>Standards/regulations</b>	M8 connector IEC 61076-2-104
<b>Status display</b>	No
<b>Surge voltage category</b>	II
<b>Pollution degree</b>	3
<b>Connection method</b>	Piercecon <sup>®</sup> fast connection
<b>Conductor cross section</b>	0.14 mm <sup>2</sup> ... 0.38 mm <sup>2</sup>
<b>AWG conductor cross section</b>	22 ... 26

# Connector - SACC-M 8MS-3PCON - 1506752

## Technical data

### General

Wire diameter including insulation	1 mm ... 1.3 mm (Black wire clamping for 0.14 mm <sup>2</sup> ... 0.25 mm <sup>2</sup> )
Wire diameter including insulation	1.3 mm ... 1.6 mm (White wire clamping for 0.25 mm <sup>2</sup> ... 0.38 mm <sup>2</sup> )
Insertion/withdrawal cycles	≥ 100
Torque	0.5 Nm (Pressure nut with coupling sleeve)
Torque	0.8 Nm (Connector with coupling sleeve)
Torque	0.2 Nm (M8 knurl)

### Material

Inflammability class according to UL 94	V0
Contact material	CuZn
Contact surface material	Ni/Au
Contact carrier material	PA 66
Material of grip body	PA 66
Material, knurls	Nickel-plated brass
Sealing material	NBR

## classifications

### eCl@ss

eCl@ss 4.0	27140815
eCl@ss 4.1	27140815
eCl@ss 5.0	27260701
eCl@ss 5.1	27260701
eCl@ss 6.0	27279221
eCl@ss 7.0	27440104
eCl@ss 8.0	27440104

### ETIM

ETIM 2.0	EC001121
ETIM 3.0	EC002062
ETIM 4.0	EC002062
ETIM 5.0	EC002062

### UNSPSC

UNSPSC 6.01	31251501
UNSPSC 7.0901	31251501
UNSPSC 11	31251501
UNSPSC 12.01	31251501
UNSPSC 13.2	31251501

## approvals

GOST /

# Connector - SACC-M 8MS-3PCON - 1506752

approvals

---

Approval details



accessories

## Torque tool

TSD 02 SAC - 1208487



---

TSD-M 1,2NM - 1212224



---

## Screwdriver tools

SACC BIT M8-D12 - 1208474



---

TSD-M SAC-BIT ADAPTER - 1212600



---

## Protective cap

# Connector - SACC-M 8MS-3PCON - 1506752

accessories

PROT-M 8 FS-PA-CHAIN - 1430857



---

## Cable by the meter

SAC-3P-100,0-PUR/0,25 - 1501689



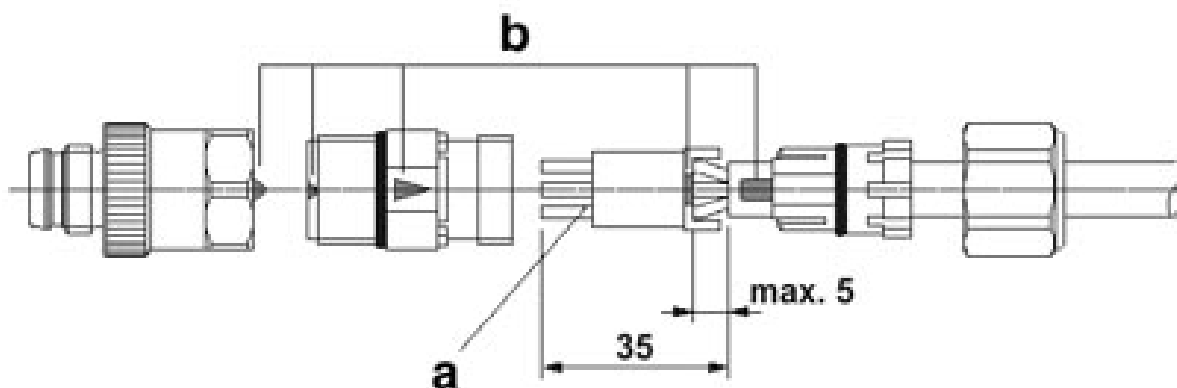
SAC-3P-100,0-PUR/0,34 - 1501650



---

## Drawings

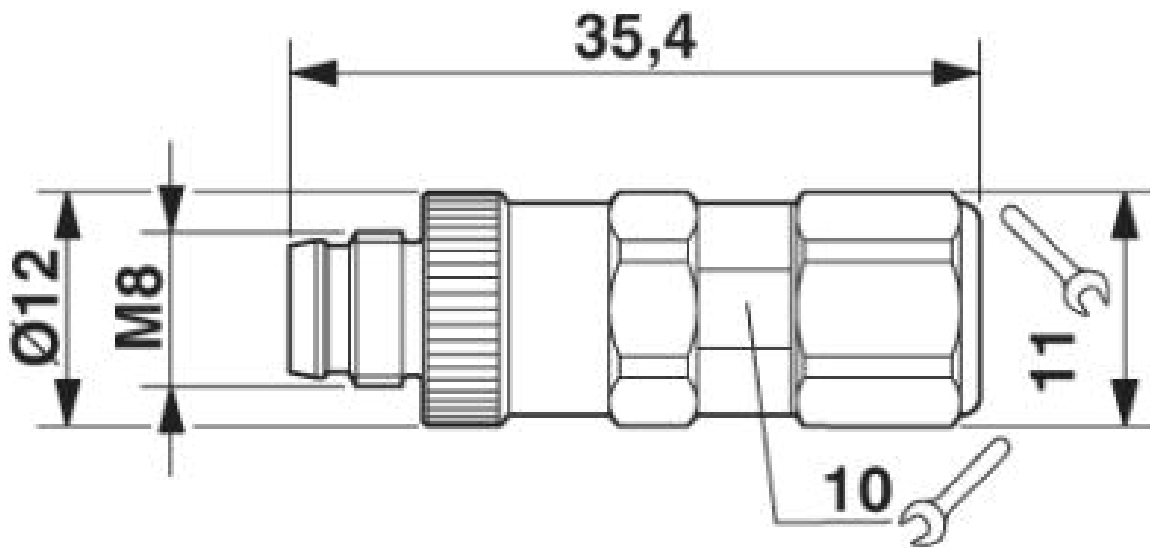
Functional drawing



Assembly steps for M8 connector with Piercecon® connection  
a = Cut flush  
b = CodingStrip the conductor by approx. 35 mm and slide on the union nut and cable clamp type cage. Without stripping the insulation of the individual cores, guide them into the corresponding chamber of the elastic core clamping and cut them off flush on the contact side. The coding marks must be flush when mounted.

# Connector - SACC-M 8MS-3PCON - 1506752

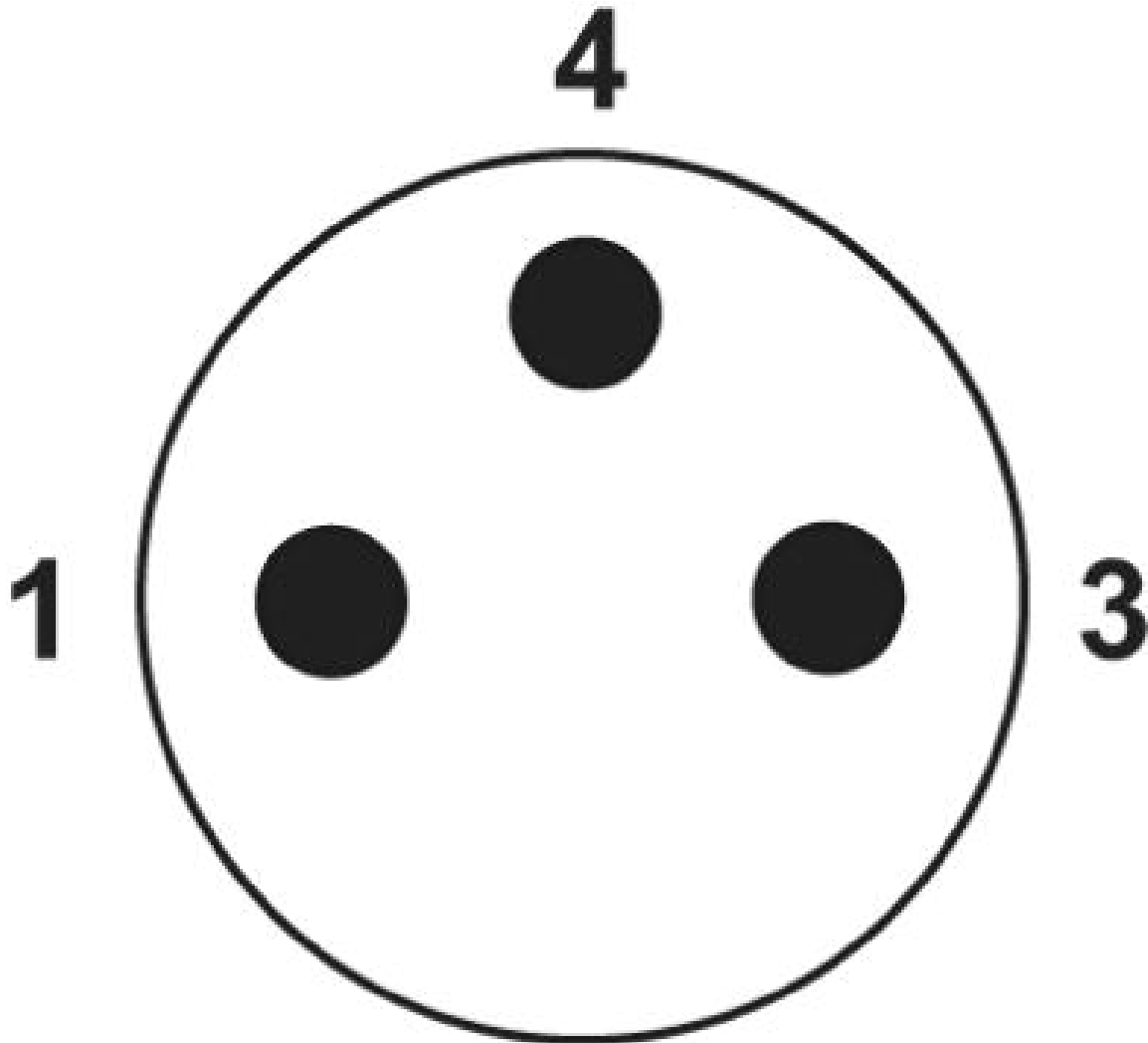
Dimensioned drawing



M8 x 1 male plug, straight version

## Connector - SACC-M 8MS-3PCON - 1506752

Schematic diagram



Pin assignment M8 plug, 3-pos., view male side

© Phoenix Contact 2014 - all rights reserved  
<http://www.phoenixcontact.com>