

Connector - SACC-M 8MS-3CON-M-SW - 1501252

Please be informed that the data shown in this PDF Document is generated from our Online Catalog. Please find the complete data in the user's documentation. Our General Terms of Use for Downloads are valid (<http://download.phoenixcontact.com>)



Connector, 3-position, Plug straight M8, A-coded, Screw connection, Knurl material: Nickel-plated brass, External cable diameter 3.5 mm ... 5 mm

Product Features

- Safe use in the field, thanks to a high degree of protection
- Flexible: connectors for on-site assembly
- Screw connection: proven connection technology for a large selection of different conductors

Key commercial data

package_quantity	1
GTIN	4017918612795

Technical data

Dimensions

External diameter	3.5 mm ... 5 mm
Stripping length of the sheath	12 mm
Stripping length of the individual wire	4 mm

Ambient conditions

Ambient temperature (operation)	-40 °C ... 85 °C (Plug / socket)
Degree of protection	IP67

General

Rated current at 40°C	4 A
Rated voltage	60 V
Number of positions	3
Contact resistance	≤ 3 mΩ
Insulation resistance	≥ 100 MΩ
Coding	A - standard
Standards/regulations	M8 connector IEC 61076-2-104
Status display	No
Surge voltage category	II
Pollution degree	3
Connection method	Screw connection
Conductor cross section	0.14 mm ² ... 0.5 mm ²
AWG conductor cross section	26 ... 20

Connector - SACC-M 8MS-3CON-M-SW - 1501252

Technical data

General

Insertion/withdrawal cycles	≥ 100
Torque	0.2 Nm (M8 knurl)
Torque	0.5 Nm (Connector with coupling sleeve)
Torque	0.3 Nm ... 0.4 Nm (Pressure screw for outer cable diameter 3 mm ... 4 mm)
Torque	0.8 Nm ... 1 Nm (Pressure screw in the case of external cable diameter 4 mm ... 5 mm)
Torque	0.1 Nm (Screw terminal blocks)
Assembly instructions	The wires can be connected both with ferrules (without insulation) and without ferrules.

Material

Inflammability class according to UL 94	HB
Contact material	CuZn
Contact surface material	Au
Contact carrier material	PA
Material of grip body	PBT
Material, knurls	Nickel-plated brass
Sealing material	NBR

classifications

eCl@ss

eCl@ss 4.0	27140815
eCl@ss 4.1	27140815
eCl@ss 5.0	27260701
eCl@ss 5.1	27260701
eCl@ss 6.0	27279221
eCl@ss 7.0	27440104
eCl@ss 8.0	27440104

ETIM

ETIM 2.0	EC001121
ETIM 3.0	EC002062
ETIM 4.0	EC002062
ETIM 5.0	EC002062

UNSPSC

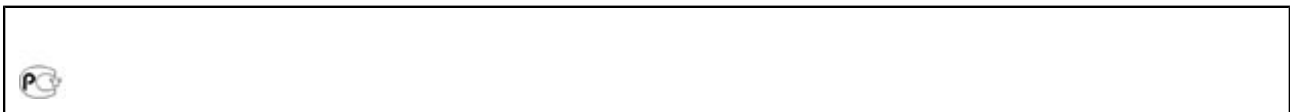
UNSPSC 6.01	31251501
UNSPSC 7.0901	31251501
UNSPSC 11	31251501
UNSPSC 12.01	31251501
UNSPSC 13.2	31251501

Connector - SACC-M 8MS-3CON-M-SW - 1501252

approvals

GOST / GOST /

Approval details



accessories

Seal

SACC-M 8-SET/2,2-3,5 - 1436945



Torque tool

TSD 02 SAC - 1208487



TSD-M 1,2NM - 1212224



Screwdriver tools

Connector - SACC-M 8MS-3CON-M-SW - 1501252

accessories

SACC BIT M8-D12 - 1208474



TSD-M SAC-BIT ADAPTER - 1212600



Protective cap

PROT-M 8 FS-PA-CHAIN - 1430857



Cable by the meter

SAC-3P-100,0-PUR/0,25 - 1501689



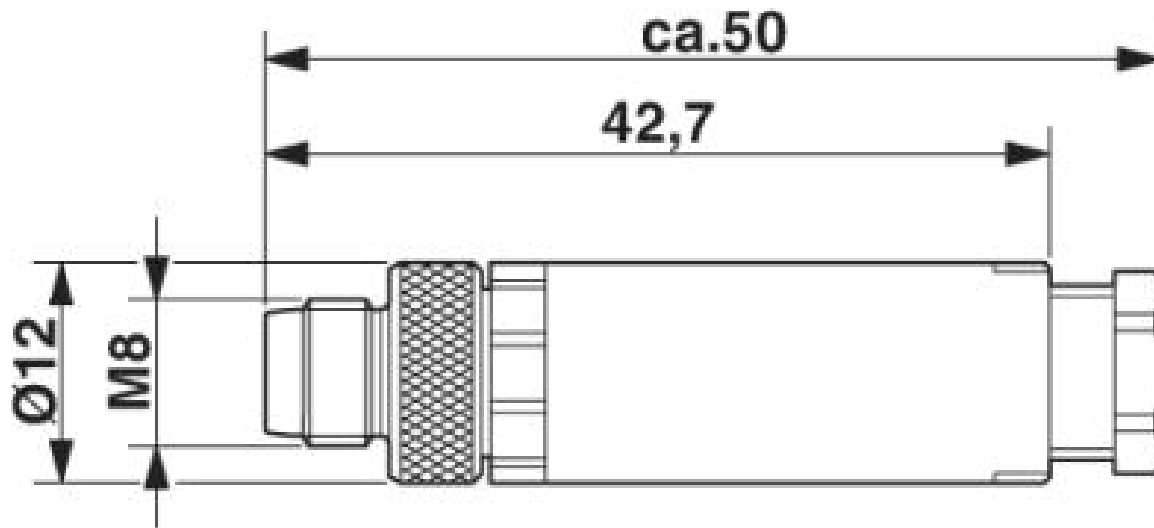
SAC-3P-100,0-PUR/0,34 - 1501650



Drawings

Connector - SACC-M 8MS-3CON-M-SW - 1501252

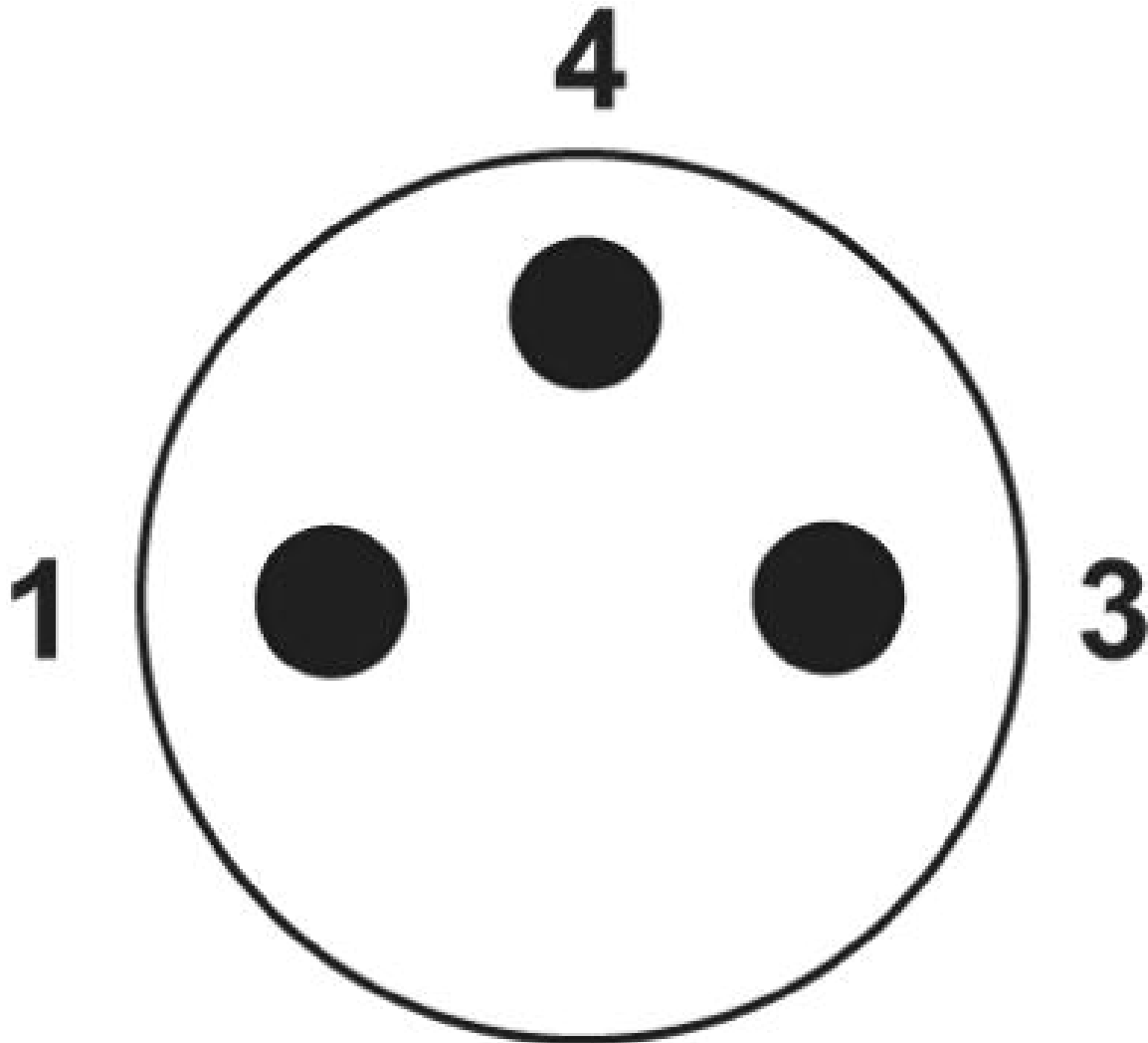
Dimensioned drawing



M8 x 1 male plug, straight version

Connector - SACC-M 8MS-3CON-M-SW - 1501252

Schematic diagram



M8 plug pin assignment, 3-pos., view of pin side

© Phoenix Contact 2014 - all rights reserved
<http://www.phoenixcontact.com>