

# Sensor/actuator box - SACB-8/ 8-10,0PUR SCO P - 1452521

Please be informed that the data shown in this PDF Document is generated from our Online Catalog. Please find the complete data in the user's documentation. Our General Terms of Use for Downloads are valid (<http://download.phoenixcontact.com>)



Sensor/actuator box, Connection method: M12-SPEEDCON-socket Plastic, Number of slots: 8, Number of positions: 4, Slot assignment: Single, Status indication: No, Universal; Master cable connection: Fixed connection 180°, PUR/PVC, Cable length: 10 m, Shielding: No

Figure shows version with diagnostic and status indicator

## Product Features

- Safety in the field, thanks to molded housing and high degree of protection
- Flexible, distributed bundling of signals in one master cable
- Save time, thanks to installation with SPEEDCON fast locking system



## Key commercial data

|                  |               |
|------------------|---------------|
| package_quantity | 1             |
| GTIN             | 4046356553872 |

## Technical data

### General

|  |                     |
|--|---------------------|
| Rated voltage                            | 120 V               |
| Current carrying capacity per I/O signal | 2 A                 |
| Current carrying capacity per slot       | 4 A                 |
| Total rated current                      | 12 A                |
| Number of positions                      | 4                   |
| Number of slots                          | 8                   |
| Sensor/actuator connection system        | M12-SPEEDCON-socket |

### Ambient conditions

|                                 |   |
|---------------------------------|---|
| Degree of protection            | IP65  |
| Degree of protection            | IP67  |
| Ambient temperature (operation) | -25 °C ... 80 °C                            |
| Ambient temperature (operation) | -40 °C ... 90 °C (for fixed installation)   |
| Ambient temperature (operation) | -5 °C ... 80 °C (for flexible installation) |

### Master cable connection data

|                   |                  |
|-------------------|------------------|
| Connection method | Fixed connection |
| Length of cable   | 10 m             |

# Sensor/actuator box - SACB-8/ 8-10,0PUR SCO P - 1452521

## Technical data

### Master cable connection data

|   |        |
|---|--------|
| <b>Tightening torque slot sensor/actuator cable</b>               | 0.4 Nm |
| <b>Tightening torque of mounting screw for fixing the housing</b> | 0.5 Nm |

### Insulation material

|                                      |             |
|--------------------------------------|-------------|
| <b>Housing material</b>              | PBT         |
| <b>Material of the moulding mass</b> | PUR         |
| <b>Contact material</b>              | Cu alloy    |
| <b>Contact surface material</b>      | Gold-plated |
| <b>Contact carrier material</b>      | PA          |
| <b>Material of threaded sleeve</b>   | PBT         |
| <b>Material, O-ring</b>              | NBR         |

### Pin assignment

|   |                        |
|---|------------------------|
| <b>Slot/position = Wire color or connection</b> | 1 / 4 (A) = WH         |
| <b>Slot/position = Wire color or connection</b> | 2 / 4 (A) = GN         |
| <b>Slot/position = Wire color or connection</b> | 3 / 4 (A) = YE         |
| <b>Slot/position = Wire color or connection</b> | 4 / 4 (A) = GY         |
| <b>Slot/position = Wire color or connection</b> | 5 / 4 (A) = PK         |
| <b>Slot/position = Wire color or connection</b> | 6 / 4 (A) = RD         |
| <b>Slot/position = Wire color or connection</b> | 7 / 4 (A) = BK         |
| <b>Slot/position = Wire color or connection</b> | 8 / 4 (A) = VT         |
| <b>Slot/position = Wire color or connection</b> | 1-8 / 1 (+ 120 V) = BN |
| <b>Slot/position = Wire color or connection</b> | 1-8 / 3 (0 V) = BU     |
| <b>Slot/position = Wire color or connection</b> | 1-8 / 5 (PE) = GN/YE   |

### Cable

|  |                                       |
|--|---------------------------------------|
| <b>Cable type</b>                          | PUR/PVC black                         |
| <b>Cable type (abbreviation)</b>           | PUR                                   |
| <b>Cable abbreviation</b>                  | LiYY11Y-HF                            |
| <b>UL AWM style</b>                        | 20549 (80°C/300 V)                    |
| <b>Conductor cross section</b>             | 8x 0.34 mm <sup>2</sup> (signal line) |
| <b>Conductor cross section</b>             | 3x 0.75 mm <sup>2</sup> (power line)  |
| <b>AWG signal line</b>                     | 22                                    |
| <b>AWG power supply</b>                    | 18                                    |
| <b>Conductor structure signal line</b>     | 19x 0.15 mm                           |
| <b>Conductor structure, voltage supply</b> | 42x 0.15 mm                           |
| <b>Core diameter including insulation</b>  | 1.3 mm ±0.1 mm (signal line)          |
| <b>Core diameter including insulation</b>  | 1.8 mm ±0.1 mm (power line)           |
| <b>Thickness, insulation</b>               | ≥ 0.15 mm (Inner sheath)              |
| <b>Thickness, insulation</b>               | ≥ 0.38 mm (Outer cable sheath)        |
| <b>Overall twist</b>                       | Wires twisted in layers               |
| <b>External sheath, color</b>              | Black RAL 9005                        |
| <b>External cable diameter D</b>           | 8.5 mm ±0.2 mm                        |

# Sensor/actuator box - SACB-8/ 8-10,0PUR SCO P - 1452521

## Technical data

### Cable

|   |  |
|---|--|
| Minimum bending radius, fixed installation      | 7.5 x D  |
| Minimum bending radius, flexible installation   | 10 x D   |
| Number of bending cycles                        | 1500000  |
| Minimum bending radius, drag chain applications | 10 x D   |
| Traversing path                                 | 2 m  |
| Traversing rate                                 | 2 m/s  |
| Cable weight                                    | 107.4 kg/km  |
| Outer sheath, material                          | PUR  |
| Material, inner sheath                          | PVC  |
| Material conductor insulation                   | PVC  |
| Conductor material                              | Bare Cu litz wires   |
| Nominal voltage, cable                          | 300 V  |
| Test voltage, cable                             | 2000 V   |
| Special properties                              | Silicone-free  |
| Flame resistance                                | DIN EN 50265   |
| Resistance to oil                               | As per VDE 0472 Part 803                                   |
| Other resistance                                | Highly resistant to acids, alkaline solutions and solvents |
| Ambient temperature (operation)                 | -40 °C ... 90 °C (cable, fixed installation)               |
| Ambient temperature (operation)                 | -5 °C ... 80 °C (cable, flexible installation)             |

## classifications

### eCl@ss

|            |          |
|------------|----------|
| eCl@ss 4.0 | 27140815 |
| eCl@ss 4.1 | 27140815 |
| eCl@ss 5.0 | 27143423 |
| eCl@ss 5.1 | 27143423 |
| eCl@ss 6.0 | 27279219 |
| eCl@ss 7.0 | 27279219 |
| eCl@ss 8.0 | 27279219 |

### ETIM

|          |          |
|----------|----------|
| ETIM 4.0 | EC002585 |
| ETIM 5.0 | EC002585 |

### UNSPSC

|               |          |
|---------------|----------|
| UNSPSC 6.01   | 31261501 |
| UNSPSC 7.0901 | 31261501 |
| UNSPSC 11     | 31261501 |
| UNSPSC 12.01  | 31261501 |
| UNSPSC 13.2   | 31261501 |

# Sensor/actuator box - SACB-8/ 8-10,0PUR SCO P - 1452521

## approvals

UL Recognized / cUL Recognized / GOST / cULus Recognized /

### Approval details

|                            |       |
|----------------------------|-------|
| <b>UL Recognized</b>       |       |
| Nominal voltage UN         | 120 V |
| Nominal current IN         |       |
| mm <sup>2</sup> /AWG/kcmil |       |

|                            |       |
|----------------------------|-------|
| <b>cUL Recognized</b>      |       |
| Nominal voltage UN         | 120 V |
| Nominal current IN         |       |
| mm <sup>2</sup> /AWG/kcmil |       |

|             |
|-------------|
| <b>GOST</b> |
|-------------|

|                         |
|-------------------------|
| <b>cULus Recognized</b> |
|-------------------------|

### accessories

#### Protective cap

PROT-MS SCO - 1553129



### Device marking

## Sensor/actuator box - SACB-8/ 8-10,0PUR SCO P - 1452521

### accessories

SS-ZB 17,5 WH - 0804963



SS-ZB 17,5 YE - 0804976



### Labeled device marker

SS-ZB 17,5 WH CUS - 0824468



SS-ZB 17,5 YE CUS - 0824469



### Torque tool

TSD 04 SAC - 1208429



## Sensor/actuator box - SACB-8/ 8-10,0PUR SCO P - 1452521

### accessories

TSD-M 1,2NM - 1212224



---

### Screwdriver tools

TSD-M SAC-BIT ADAPTER - 1212600



---

SAC BIT M12-D15 - 1208432



---

SACC BIT M12-D20 - 1208445



---

### Mounting rail adapter

UTA 136 - 2853996

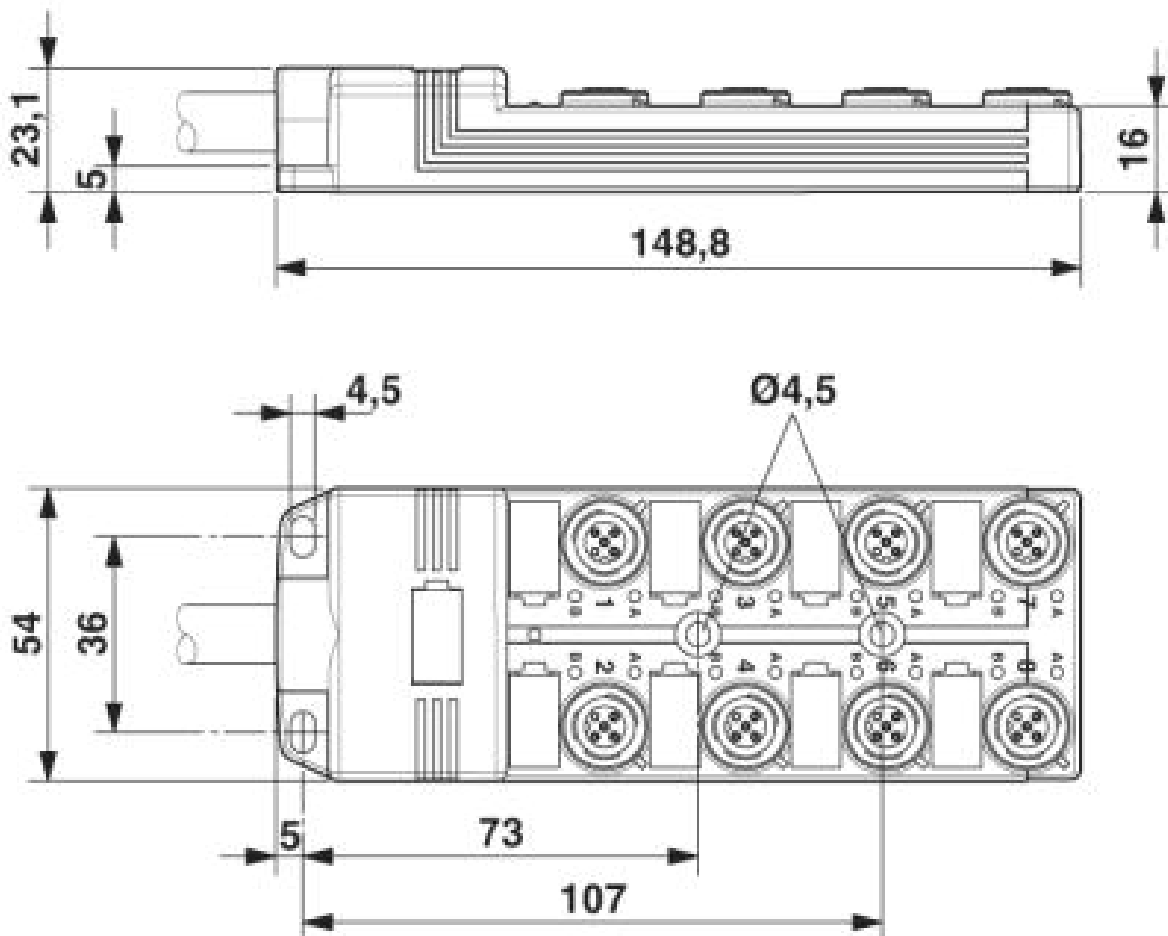


---

### Drawings

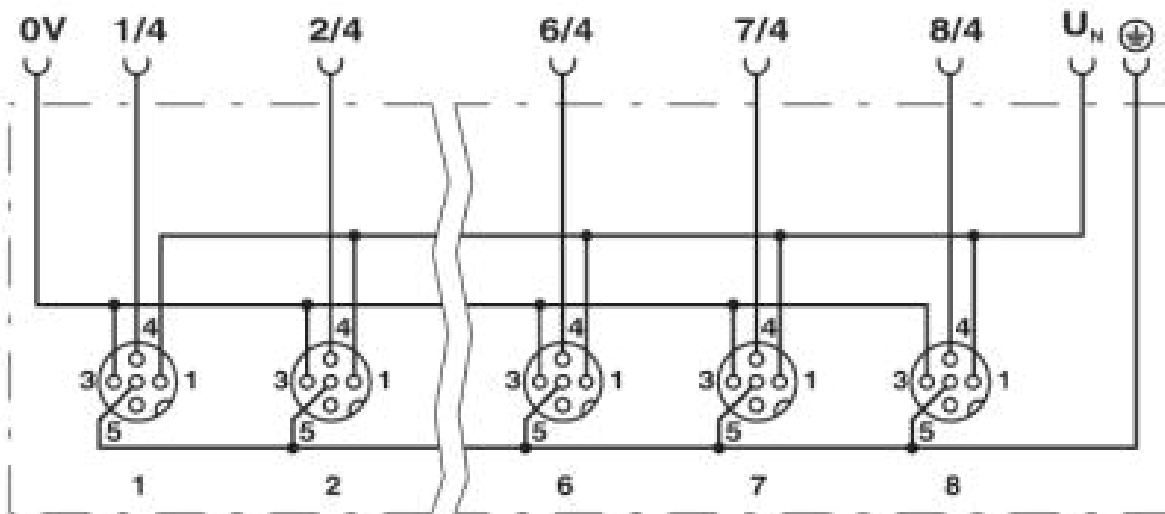
# Sensor/actuator box - SACB-8/ 8-10,0PUR SCO P - 1452521

Dimensioned drawing



# Sensor/actuator box - SACB-8/ 8-10,0PUR SCO P - 1452521

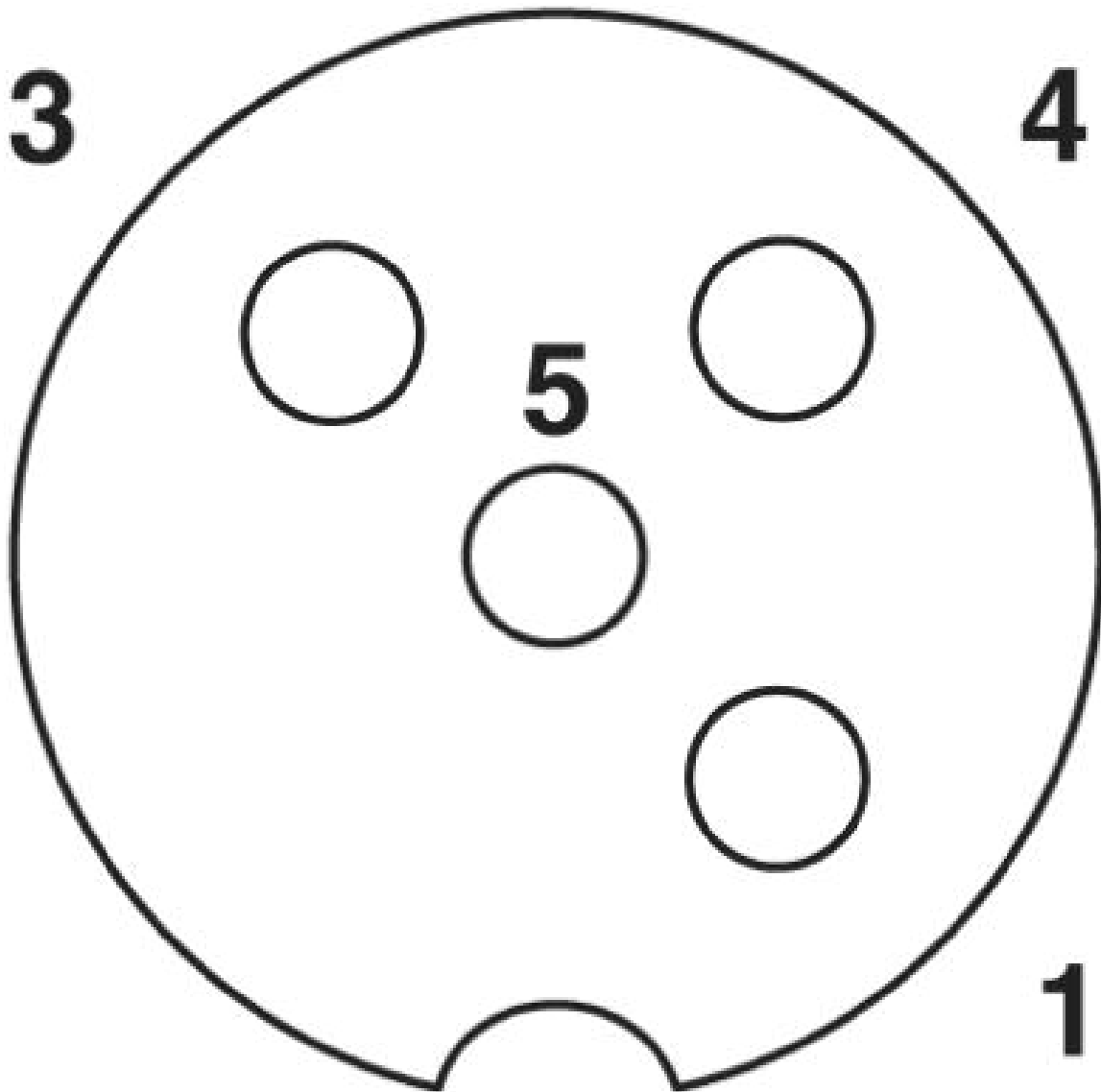
Circuit diagram





# Sensor/actuator box - SACB-8/ 8-10,0PUR SCO P - 1452521

Schematic diagram



M12 slot, socket, 4-pos.

## Sensor/actuator box - SACB-8/ 8-10,0PUR SCO P - 1452521

Cable cross section



PUR/PVC black [PUR]

© Phoenix Contact 2014 - all rights reserved  
<http://www.phoenixcontact.com>