

# Crimp contact - CK2,5-ED-0,75ST AG - 1663585

Please be informed that the data shown in this PDF Document is generated from our Online Catalog. Please find the complete data in the user's documentation. Our General Terms of Use for Downloads are valid (<http://download.phoenixcontact.com>)



Turned 2.5 crimp contact, individual male contact, core diameter 0.75 mm<sup>2</sup>, silver-plated

## Key commercial data

<b>package_quantity</b>	100
<b>GTIN</b>	4017918123390

## Technical data

### Electrical characteristics

<b>Note</b>	for HC-M-06, HC-M-HV, HC-M-08, HC-M-20, HC-A, HC-BB, HC-B and HC-HV contact carriers, the quality of a crimp connection is determined by the DIN EN 60 352-2
-------------	--

### Ambient conditions

<b>Ambient temperature (operation)</b>	-40 °C ... 125 °C
--	-------------------

### Mechanical characteristics

<b>Conductor cross section</b>	0.75 mm <sup>2</sup>
<b>Connection cross section AWG</b>	18
<b>Stripping length of the individual wire</b>	7.5 mm (9.5 mm at HC-M-HV...)
<b>Insertion/withdrawal cycles</b>	≥ 500

### General

<b>Type</b>	Individual male contact
<b>Series</b>	HC-M-06
<b>Connection method</b>	Crimp connection
<b>Connection</b>	for HC-M-06, HC-M-HV, HC-M-08, HC-M-20, HC-A, HC-BB, HC-B and HC-HV contact carriers. The quality of a crimp connection is determined by the DIN EN 60 352-2.

### Material data

<b>Contact material</b>	Copper alloy
<b>Contact surface material</b>	silver-plated

## classifications

eCl@ss

<b>eCl@ss 4.0</b>	27140816
-------------------	----------

# Crimp contact - CK2,5-ED-0,75ST AG - 1663585

## classifications

### eCl@ss

eCl@ss 4.1	27140816
eCl@ss 5.0	27143424
eCl@ss 5.1	27143424
eCl@ss 6.0	27143424
eCl@ss 7.0	27440209
eCl@ss 8.0	27440209

### ETIM

ETIM 2.0	EC000438
ETIM 3.0	EC000438
ETIM 4.0	EC000438
ETIM 5.0	EC000796

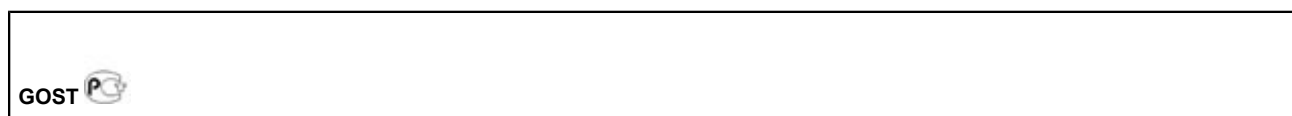
### UNSPSC

UNSPSC 6.01	30211923
UNSPSC 7.0901	39121522
UNSPSC 11	39121522
UNSPSC 12.01	39121522
UNSPSC 13.2	39121522

## approvals

UL Recognized / GOST /

### Approval details



## accessories

### Assembly tool

CK1,6/2,5-MWZ - 1676734



# Crimp contact - CK2,5-ED-0,75ST AG - 1663585

accessories

---

CK2,5-EWZ - 1662722



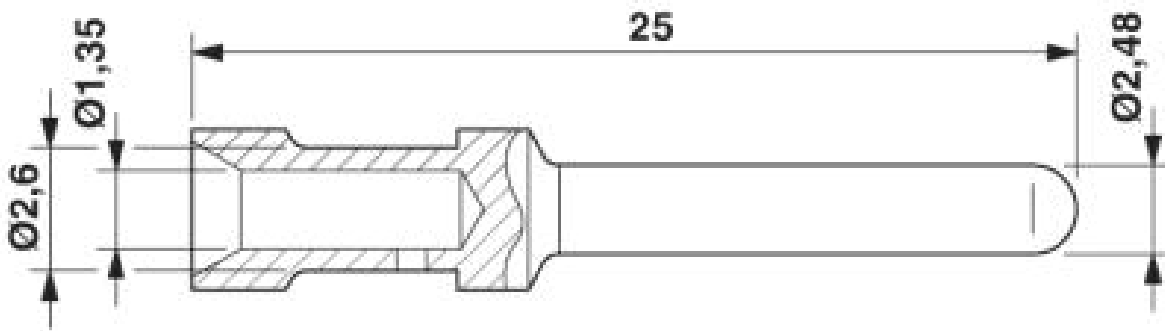
## Crimping tool

CRIMPFOX-1,6/2,5-ED-4,0 - 1687419



## Drawings

Dimensioned drawing



Dimensional drawing

© Phoenix Contact 2014 - all rights reserved  
<http://www.phoenixcontact.com>