

Crimp contact - CK2,5-ED-0,50ST AG - 1663572

Please be informed that the data shown in this PDF Document is generated from our Online Catalog. Please find the complete data in the user's documentation. Our General Terms of Use for Downloads are valid (<http://download.phoenixcontact.com>)



Turned 2.5 crimp contact, individual male contact, core diameter 0.5 mm², silver-plated

Key commercial data

package_quantity	100
GTIN	4017918123383

Technical data

Electrical characteristics

Note	for HC-M-06, HC-M-HV, HC-M-08, HC-M-20, HC-A, HC-BB, HC-B and HC-HV contact carriers, the quality of a crimp connection is determined by the DIN EN 60 352-2
-------------	--

Ambient conditions

Ambient temperature (operation)	-40 °C ... 125 °C
--	-------------------

Mechanical characteristics

Conductor cross section	0.5 mm ²
Connection cross section AWG	20
Stripping length of the individual wire	7.5 mm (9.5 mm at HC-M-HV...)
Insertion/withdrawal cycles	≥ 500

General

Type	Individual male contact
Series	HC-M-06
Connection method	Crimp connection
Connection	for HC-M-06, HC-M-HV, HC-M-08, HC-M-20, HC-A, HC-BB, HC-B and HC-HV contact carriers. The quality of a crimp connection is determined by the DIN EN 60 352-2.

Material data

Contact material	Copper alloy
Contact surface material	silver-plated

classifications

eCl@ss

eCl@ss 4.0	27140816
-------------------	----------

Crimp contact - CK2,5-ED-0,50ST AG - 1663572

classifications

eCl@ss

eCl@ss 4.1	27140816
eCl@ss 5.0	27143424
eCl@ss 5.1	27143424
eCl@ss 6.0	27143424
eCl@ss 7.0	27440209
eCl@ss 8.0	27440209

ETIM

ETIM 2.0	EC000438
ETIM 3.0	EC000438
ETIM 4.0	EC000438
ETIM 5.0	EC000796

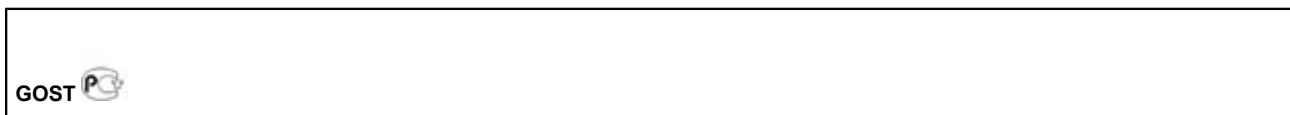
UNSPSC

UNSPSC 6.01	30211923
UNSPSC 7.0901	39121522
UNSPSC 11	39121522
UNSPSC 12.01	39121522
UNSPSC 13.2	39121522

approvals

UL Recognized / GOST /

Approval details



accessories

Assembly tool

CK1,6/2,5-MWZ - 1676734



Crimp contact - CK2,5-ED-0,50ST AG - 1663572

accessories

CK2,5-EWZ - 1662722



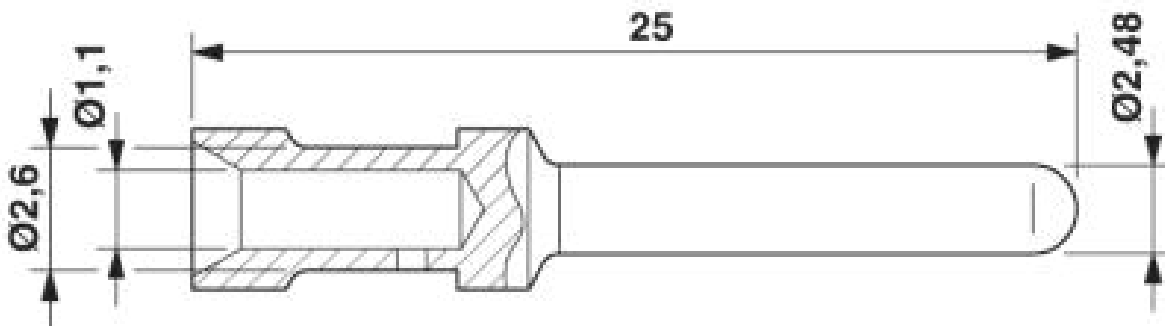
Crimping tool

CRIMPFOX-1,6/2,5-ED-4,0 - 1687419



Drawings

Dimensioned drawing



© Phoenix Contact 2014 - all rights reserved
<http://www.phoenixcontact.com>