

Contact carriers - SACC-MCI-M12MS-4CON - 1440931

Please be informed that the data shown in this PDF Document is generated from our Online Catalog. Please find the complete data in the user's documentation. Our General Terms of Use for Downloads are valid (<http://download.phoenixcontact.com>)



4-pos. contact carrier, with splice ring, A-coded

The figure shows the 4-pos. version of the product



Key commercial data

package_quantity	10
GTIN	4046356533775

Technical data

Ambient conditions

Ambient temperature (operation)	-25 °C ... 85 °C (Plug / socket)
Degree of protection	IP67

General

Rated current at 40°C	4 A
Rated voltage	250 V
Number of positions	4
Contact resistance	≤ 3 mΩ
Insulation resistance	≥ 100 MΩ
Coding	A - standard
Standards/regulations	M12 connector IEC 61076-2-101
Status display	No
Surge voltage category	II
Pollution degree	3
Connection method	Crimp contacts
Mounting type	Front mounting Square flange 25 mm side length

Material

Inflammability class according to UL 94	V0
Contact carrier material	PA 66

Cable

Conductor cross section	0.34 mm ²
-------------------------	----------------------

Contact carriers - SACC-MCI-M12MS-4CON - 1440931

Technical data

classifications

eCl@ss

eCl@ss 4.0	27250313
eCl@ss 4.1	27250313
eCl@ss 5.0	27143423
eCl@ss 5.1	27143423
eCl@ss 6.0	27143423
eCl@ss 7.0	27449001
eCl@ss 8.0	27449001

ETIM

ETIM 4.0	EC002061
ETIM 5.0	EC002061

UNSPSC

UNSPSC 6.01	31251501
UNSPSC 7.0901	31251501
UNSPSC 11	31251501
UNSPSC 12.01	31251501
UNSPSC 13.2	31251501

approvals

GOST / GOST /

Approval details



accessories

Crimp contact

Contact carriers - SACC-MCI-M12MS-4CON - 1440931

accessories

CC-1,0-ST-0,34-MS AU - 1452356



Panel mounting base

SACC-MSQ-M12MS-25-3,2 SCO - 1419959



Protective cap

PROT-M12 FS - 1560251



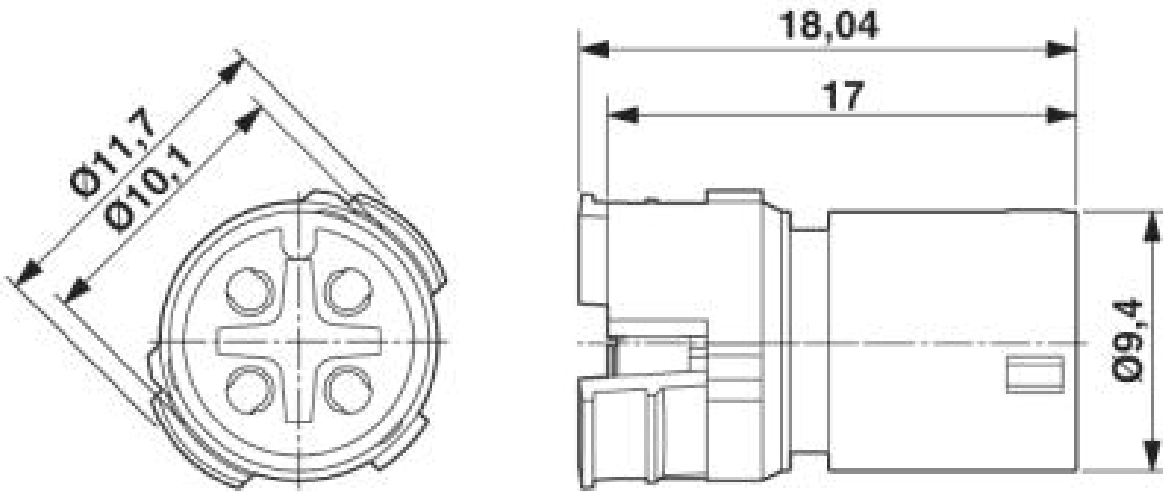
PROT-M12 FS-M - 1430488



Drawings

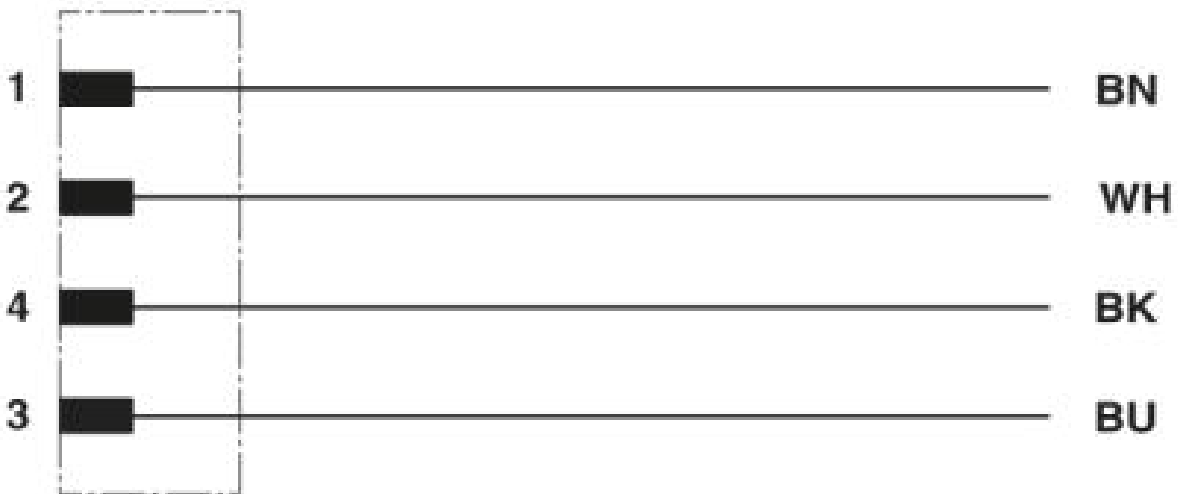
Contact carriers - SACC-MCI-M12MS-4CON - 1440931

Dimensioned drawing



Contact carrier and insulating body

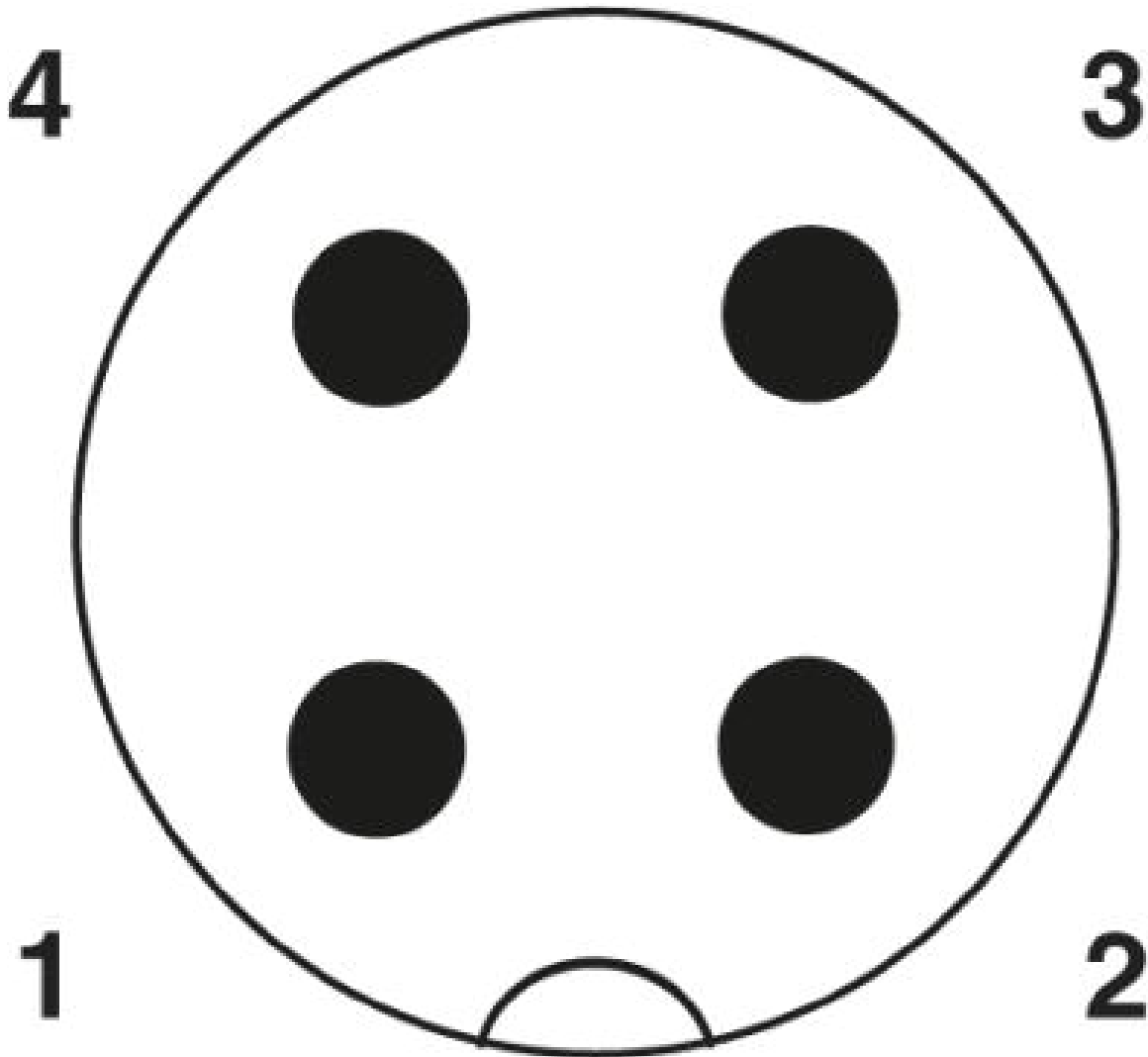
Circuit diagram



Contact assignment of the M12 plug

Contact carriers - SACC-MCI-M12MS-4CON - 1440931

Schematic diagram



Pin assignment M12 plug, 4-pos., A-coded, view plug side

© Phoenix Contact 2014 - all rights reserved
<http://www.phoenixcontact.com>