

# Flush-type connector - SACC-DSI-M8FS-4CON-M10-L180 SH - 1456129

Please be informed that the data shown in this PDF Document is generated from our Online Catalog. Please find the complete data in the user's documentation. Our General Terms of Use for Downloads are valid (<http://download.phoenixcontact.com>)



Sensor/actuator flush-type connector, socket, 4-pos. M8, rear/screw mounting with M10 fastening thread, with straight solder connection

## Key commercial data

package_quantity	20
GTIN	4046356605762

## Technical data

### Ambient conditions

Ambient temperature (operation)	-25 °C ... 85 °C
Degree of protection	IP67

### General

Note	The electrical and mechanical data specified assume that the connector pair is correctly locked and mounted. If the connector is unlocked and if there is a danger of contamination, the connector must be sealed using a protective cap > IP54. Influences arising from litz wires, cables or PCB assembly must also be taken into consideration.
Rated current at 40°C	4 A
Rated voltage	30 V
Number of positions	4
Contact resistance	≤ 3 mΩ
Insulation resistance	≥ 100 MΩ
Coding	A - standard
Standards/regulations	M8 connector IEC 61076-2-104
Status display	No
Surge voltage category	II
Pollution degree	3
Connection method	Solder pins
Insertion/withdrawal cycles	> 100
Torque	1 Nm (Installation-side)
Mounting type	Rear mounting M10 With flat nut

### Material

# Flush-type connector - SACC-DSI-M8FS-4CON-M10-L180 SH - 1456129

## Technical data

### Material

<b>Inflammability class according to UL 94</b>	HB
<b>Contact material</b>	Cu alloy
<b>Contact surface material</b>	Au
<b>Contact carrier material</b>	PA 66
<b>Material, knurls</b>	Zinc die-cast, nickel-plated
<b>Sealing material</b>	NBR

## classifications

### eCl@ss

<b>eCl@ss 4.0</b>	27140815
<b>eCl@ss 4.1</b>	27140815
<b>eCl@ss 5.0</b>	27143423
<b>eCl@ss 5.1</b>	27143423
<b>eCl@ss 6.0</b>	27143423
<b>eCl@ss 7.0</b>	27449001
<b>eCl@ss 8.0</b>	27449001

### ETIM

<b>ETIM 4.0</b>	EC002061
<b>ETIM 5.0</b>	EC002061

### UNSPSC

<b>UNSPSC 6.01</b>	31251501
<b>UNSPSC 7.0901</b>	31251501
<b>UNSPSC 11</b>	31251501
<b>UNSPSC 12.01</b>	31251501
<b>UNSPSC 13.2</b>	31251501

## approvals

GOST /

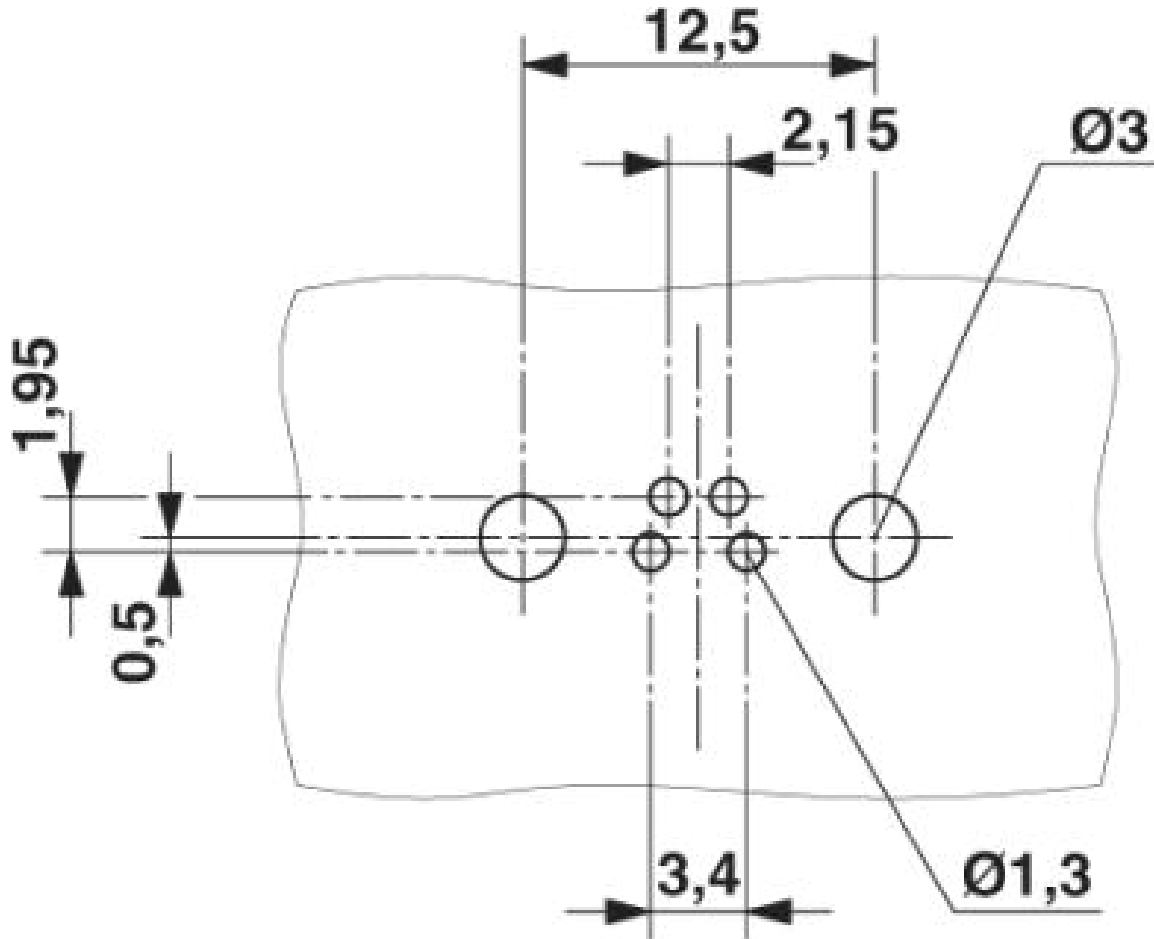
### Approval details


---

## Drawings

# Flush-type connector - SACC-DSI-M8FS-4CON-M10-L180 SH - 1456129

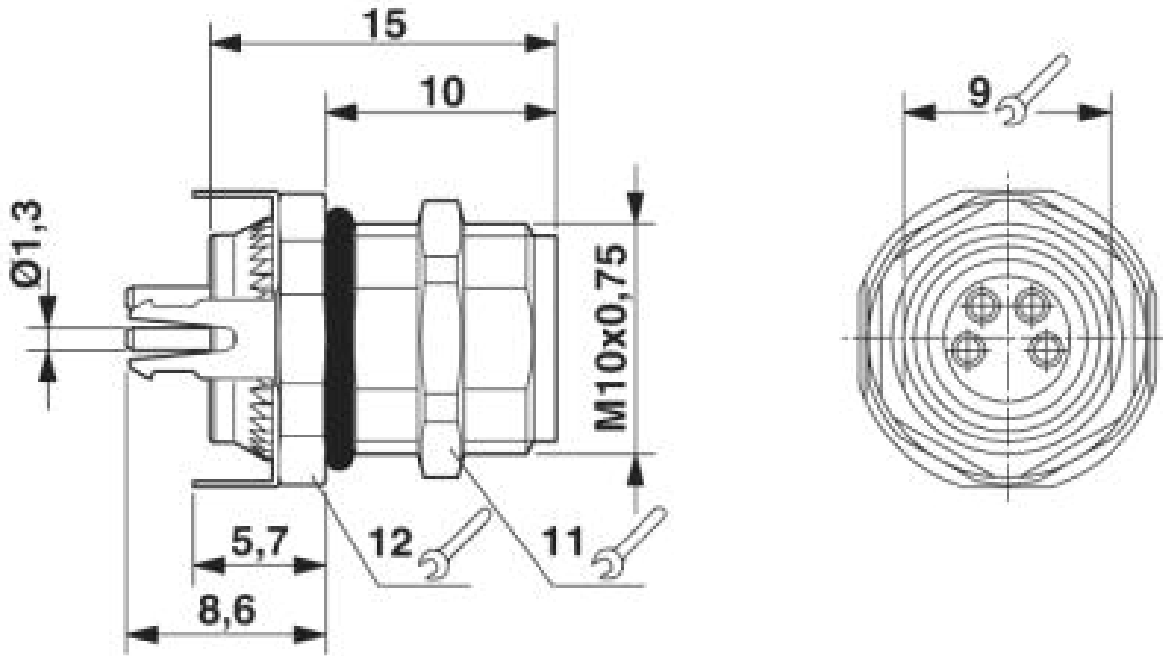
Drilling diagram



Drilling diagram

# Flush-type connector - SACC-DSI-M8FS-4CON-M10-L180 SH - 1456129

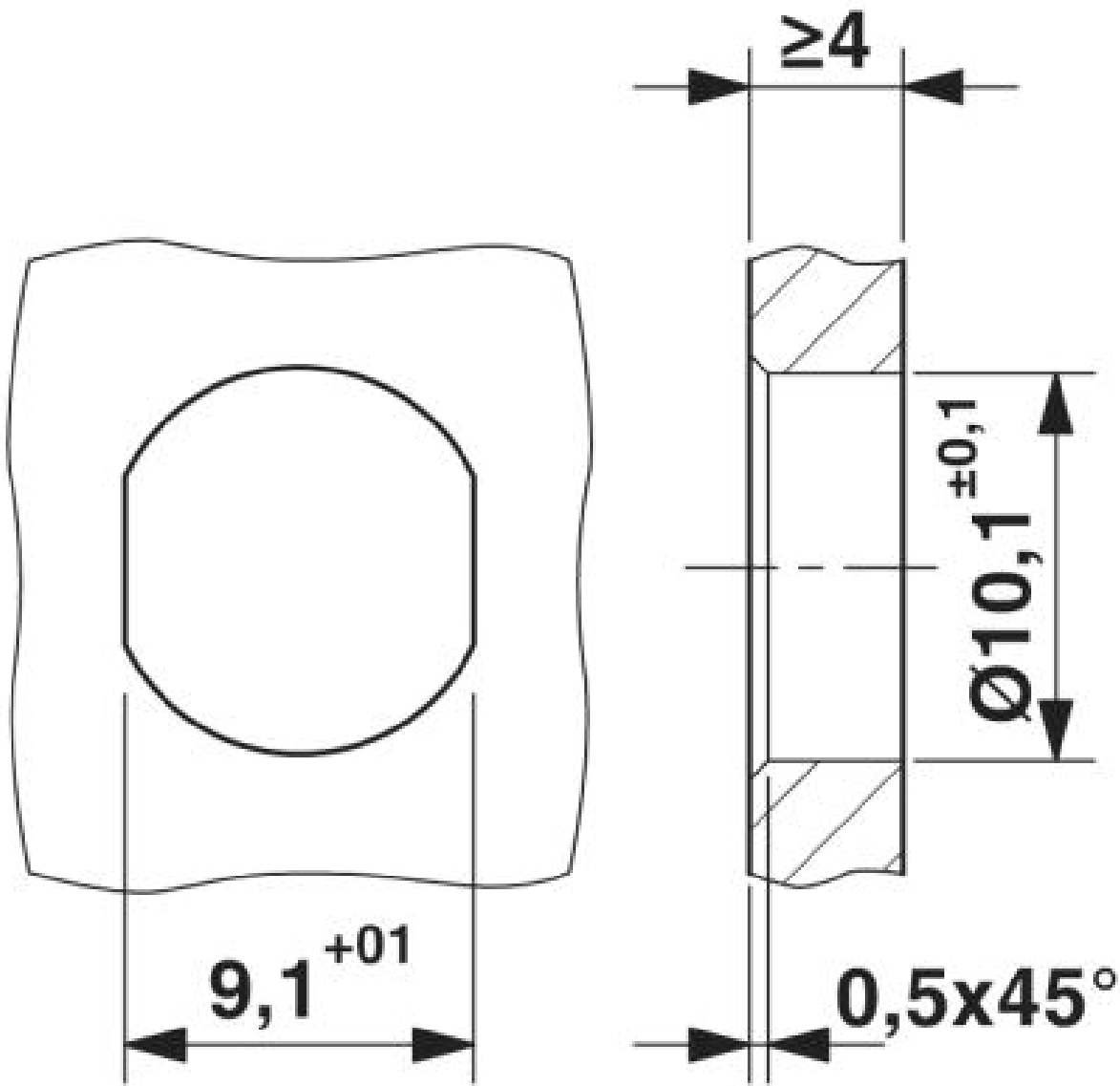
Dimensioned drawing



M8 flush-type socket

# Flush-type connector - SACC-DSI-M8FS-4CON-M10-L180 SH - 1456129

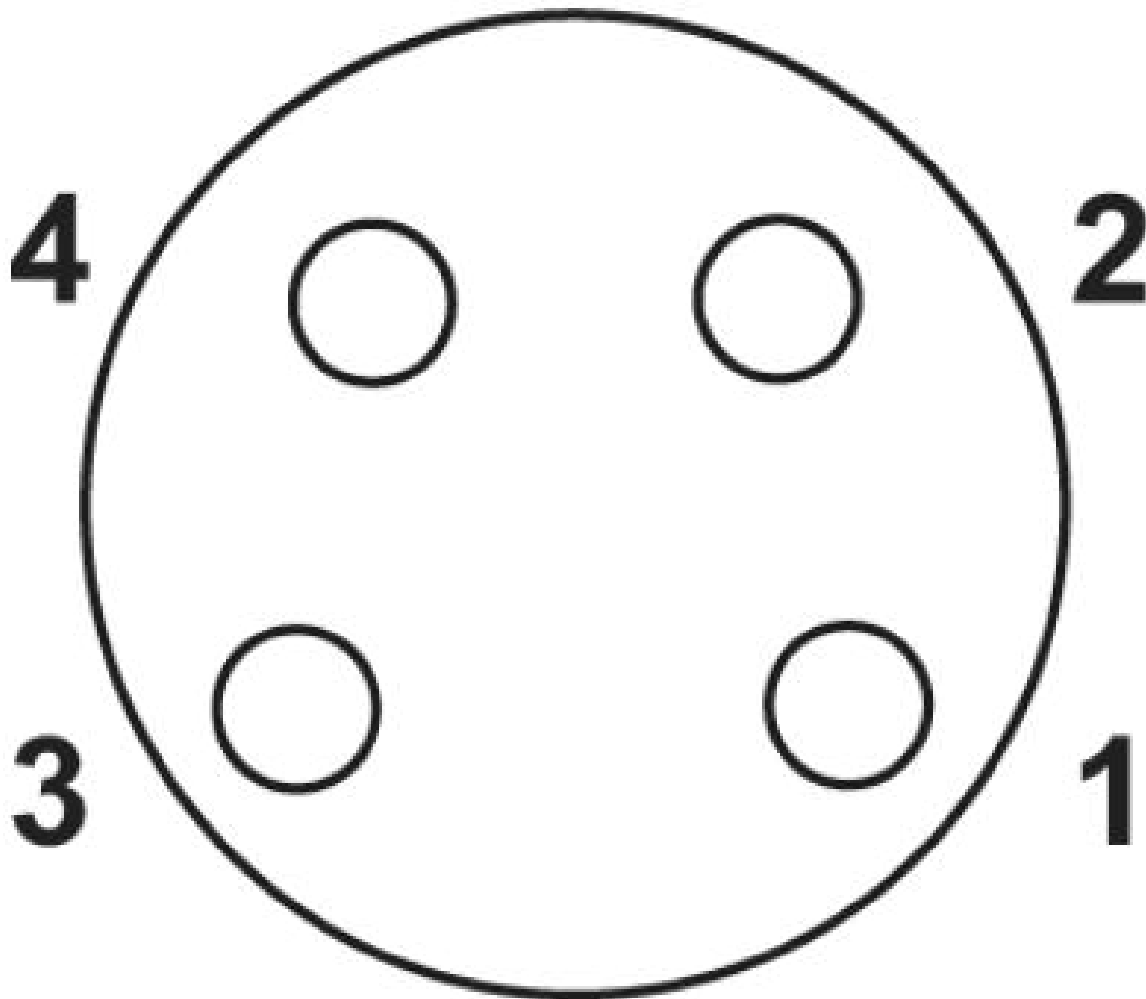
Dimensioned drawing



Mounting panel with feed-through hole

# Flush-type connector - SACC-DSI-M8FS-4CON-M10-L180 SH - 1456129

Schematic diagram



Pin assignment M8 socket, 4-pos., view female side

© Phoenix Contact 2014 - all rights reserved  
<http://www.phoenixcontact.com>