

Flush-type connector - SACCBP-FS-4CON-M16/1,0-PUR SCO - 1419302

Please be informed that the data shown in this PDF Document is generated from our Online Catalog. Please find the complete data in the user's documentation. Our General Terms of Use for Downloads are valid (<http://download.phoenixcontact.com>)



Flush-type socket, shielded, 4-pos., M12, A-coded, rear/screw mounting with M16 thread, with 1 m cable, 4 x 0.34 mm²



Key commercial data

package_quantity	1
GTIN	4046356533256

Technical data

Dimensions

Length of cable	1 m
-----------------	-----

Ambient conditions

Ambient temperature (operation)	-25 °C ... 85 °C (Plug / socket)
Ambient temperature (operation)	-40 °C ... 85 °C (without mechanical actuation)
Degree of protection	IP67

General

Note	The electrical and mechanical data specified assume that the connector pair is correctly locked and mounted. If the connector is unlocked and if there is a danger of contamination, the connector must be sealed using a protective cap > IP54. Influences arising from litz wires, cables or PCB assembly must also be taken into consideration.
Rated current at 40°C	4 A
Rated voltage	250 V
Number of positions	4
Contact resistance	≤ 3 mΩ
Insulation resistance	≥ 100 MΩ
Coding	A - standard
Standards/regulations	M12 connector IEC 61076-2-101
Status display	No
Surge voltage category	II
Pollution degree	3

Flush-type connector - SACCBP-FS-4CON-M16/1,0-PUR SCO - 1419302

Technical data

General

Connection method	Individual wires
Insertion/withdrawal cycles	> 100
Torque	3 Nm ... 4 Nm (Installation-side)
Mounting type	Rear mounting M16 x 1.5 With flat nut

Material

Inflammability class according to UL 94	V0
Contact material	CuZn
Contact surface material	Au
Contact carrier material	PA 66
Material, knurls	Zinc die-cast
Sealing material	NBR

Cable

Cable type	PUR halogen-free black
Cable abbreviation	Li9Y-V1-C-V1-11Y
Conductor cross section	0.34 mm ²
AWG signal line	22
Conductor structure signal line	7x 0.25 mm
Core diameter including insulation	1.2 mm ±0.07 mm
Thickness, insulation	0.21 mm
Wire colors	brown, white, blue, black
Overall twist	4 wires, twisted
Shielding	Tinned copper braided shield
Optical shield covering	85 %
External sheath, color	black-gray RAL 7021
External cable diameter	5.90 mm
Cable weight	47 kg/km
Outer sheath, material	PUR
Conductor material	Bare Cu litz wires
Insulation resistance	≥ 20 MΩ*km
Conductor resistance	≤ 57.6 mΩ/m
Nominal voltage, cable	300 V
Test voltage, cable	2000 V AC
Ambient temperature (operation)	-40 °C ... 85 °C (cable, fixed installation)
Ambient temperature (operation)	-25 °C ... 85 °C (cable, flexible installation)

classifications

eCl@ss

eCl@ss 4.0	27140815
-------------------	----------

Flush-type connector - SACCBP-FS-4CON-M16/1,0-PUR SCO - 1419302

classifications

eCl@ss

eCl@ss 4.1	27140815
eCl@ss 5.0	27143423
eCl@ss 5.1	27143423
eCl@ss 6.0	27279220
eCl@ss 7.0	27440103
eCl@ss 8.0	27440103

ETIM

ETIM 2.0	EC001297
ETIM 3.0	EC002061
ETIM 4.0	EC002061
ETIM 5.0	EC002061

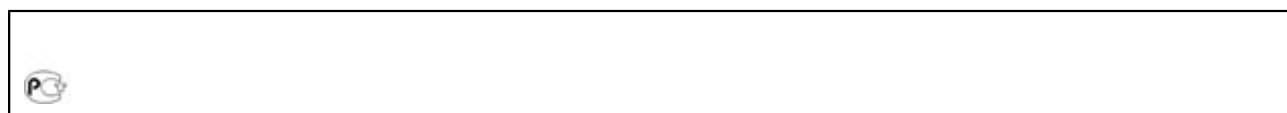
UNSPSC

UNSPSC 6.01	31251501
UNSPSC 7.0901	31251501
UNSPSC 11	31251501
UNSPSC 12.01	31251501
UNSPSC 13.2	39121413

approvals

GOST / GOST /

Approval details



accessories

Plug for cable screw gland

Flush-type connector - SACCBP-FS-4CON-M16/1,0-PUR SCO - 1419302

accessories

SACC-M16-SEALING PLUG SET - 1453368



Protective cap

PROT-M12 - 1680539



PROT-M12 SH - 1503302



PROT-M12 FB - 1555538



Seal

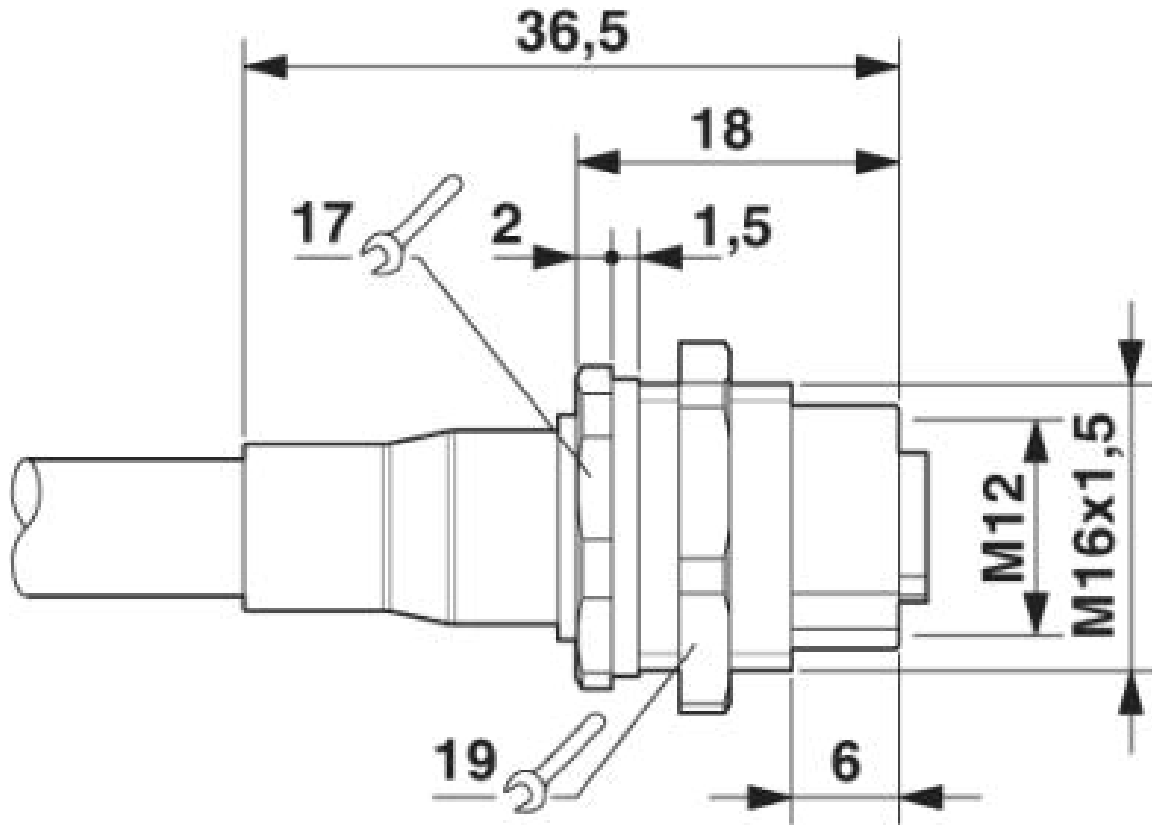
SACC-M16-SEAL CLM - 1430394



Drawings

Flush-type connector - SACCBP-FS-4CON-M16/1,0-PUR SCO - 1419302

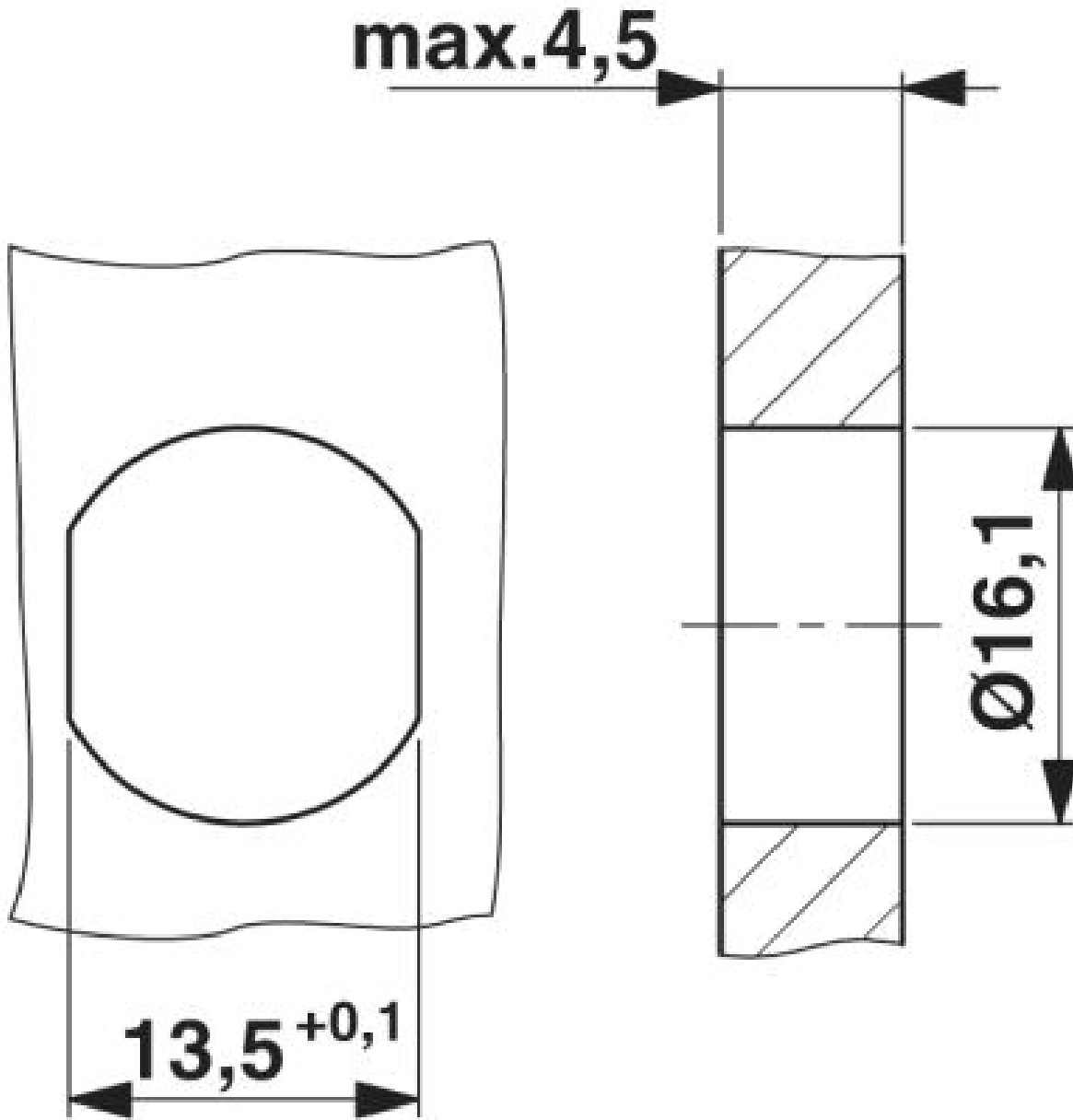
Dimensioned drawing



M12 flush-type connector

Flush-type connector - SACCBP-FS-4CON-M16/1,0-PUR SCO - 1419302

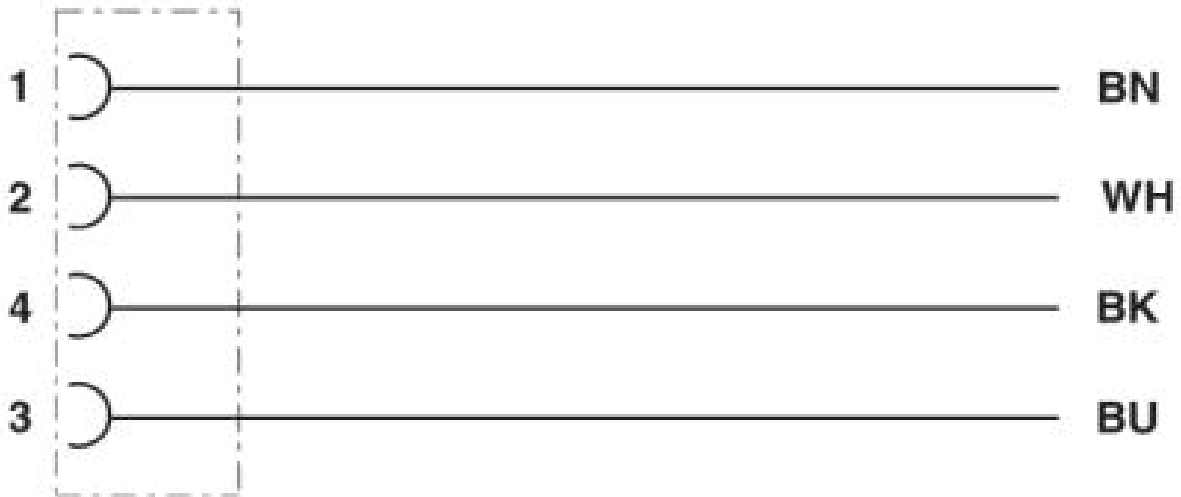
Dimensioned drawing



Housing cutout for M16 fastening thread, mounting panel with feed-through hole (alternatively with surface as protection against rotation)

Flush-type connector - SACCBP-FS-4CON-M16/1,0-PUR SCO - 1419302

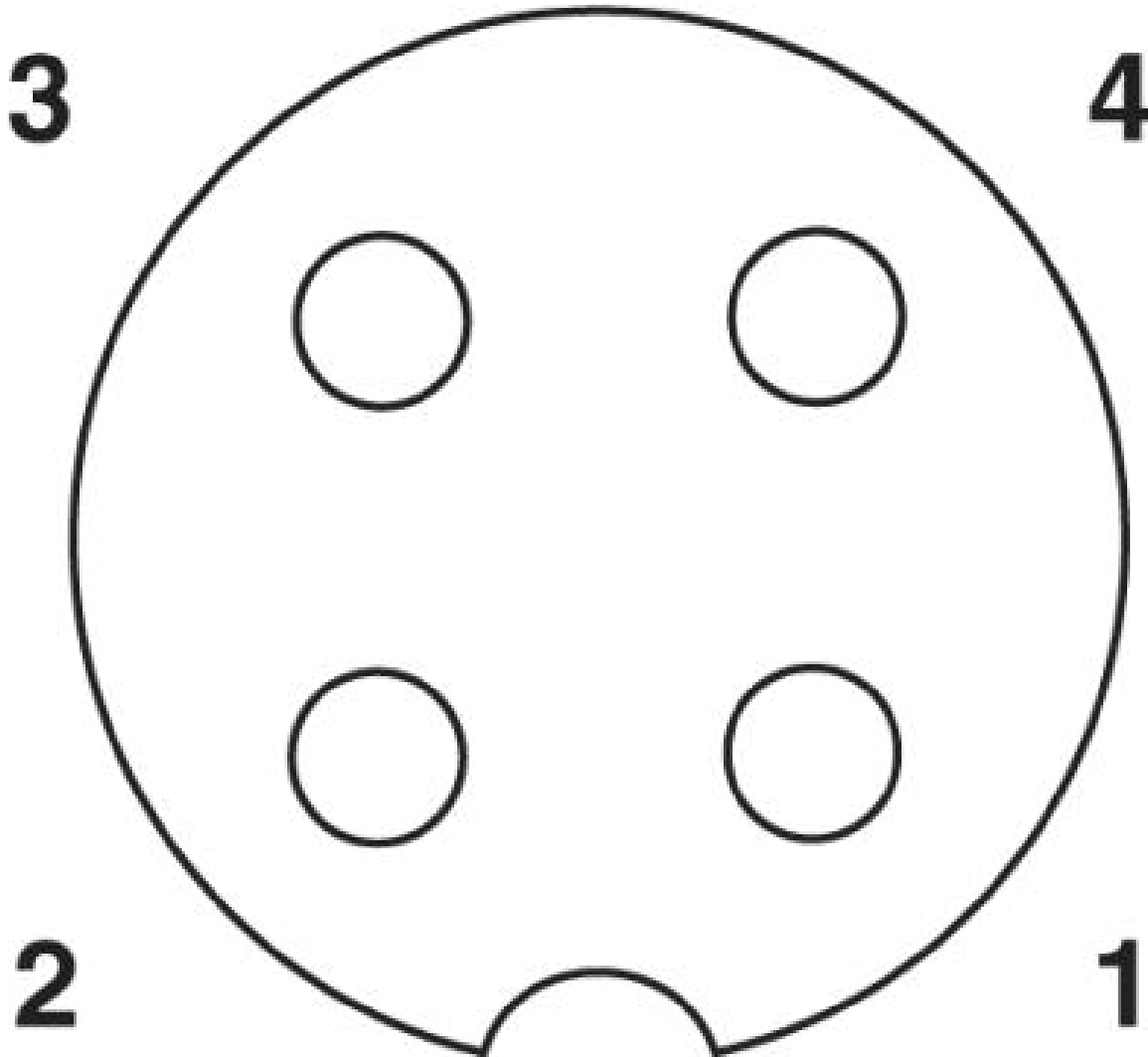
Circuit diagram



Contact assignment of the M12 socket

Flush-type connector - SACCBP-FS-4CON-M16/1,0-PUR SCO - 1419302

Schematic diagram



Pin assignment M12 socket, 4-pos., A-coded, view female side

Flush-type connector - SACCBP-FS-4CON-M16/1,0-PUR SCO - 1419302

Cable cross section



PUR halogen-free black shielded [PUR]

© Phoenix Contact 2014 - all rights reserved
<http://www.phoenixcontact.com>