

Master cable - SAC-8P-10,0-PURMC/M12FR - 1407823

Please be informed that the data shown in this PDF Document is generated from our Online Catalog. Please find the complete data in the user's documentation. Our General Terms of Use for Downloads are valid (<http://download.phoenixcontact.com>)



M12 socket, angled, 8-pos., with connected master cable, for sensor/actuator box with M8 slots, cable length: 10 m

Key commercial data

package_quantity	1
GTIN	4046356857512

Technical data

Ambient conditions

Ambient temperature (operation)	-25 °C ... 80 °C (Plug / socket)
Degree of protection	IP65
Degree of protection	IP67
Degree of protection	IP68

General

Rated voltage	30 V
Number of positions	8
Coding	A - standard
Standards/regulations	M12 connector IEC 61076-2-101
Connection method	Fixed connection
Torque	0.4 Nm (M12 connector)

Material

Inflammability class according to UL 94	HB
Contact material	CuZn
Contact surface material	Ni/Au
Contact carrier material	TPU GF
Sealing material	NBR

Connection assignment

Slot/position = pin = conductor color	1 / 4 (A) = P = WH
Slot/position = pin = conductor color	2 / 4 (A) = J = GN
Slot/position = pin = conductor color	3 / 4 (A) = T = YE
Slot/position = pin = conductor color	4 / 4 (A) = S = GY
Slot/position = pin = conductor color	5 / 4 (A) = G = PK

Master cable - SAC-8P-10,0-PURMC/M12FR - 1407823

Technical data

Connection assignment

Slot/position = pin = conductor color	6 / 4 (A) = R = RD
Slot/position = pin = conductor color	1-6 / 1 (+ 24 V) = A = BN
Slot/position = pin = conductor color	1-6 / 3 (0 V) = L = BU

Cable

Cable type	PUR/PVC black
Cable type (abbreviation)	350
Cable abbreviation	LiYY-11Y
UL AWM style	20549
Conductor cross section	8x 0.25 mm ² (signal line)
AWG signal line	24
Conductor structure signal line	32x 0.10 mm
Core diameter including insulation	1.22 mm ±0.02 mm
Thickness, insulation	≥ 0.23 mm (Core insulation)
Wire colors	white, brown, green, yellow, gray, pink, blue, red
Overall twist	8 wires around filler to the core
Length of twist, overall twist	79 mm
External sheath, color	Black RAL 9005
Outer sheath thickness	≥ 0.38 mm
External cable diameter D	5.9 mm ±0.02 mm
Minimum bending radius, fixed installation	5 x D
Minimum bending radius, flexible installation	10 x D
Cable weight	52 kg/km
Outer sheath, material	PUR
Material, inner sheath	PVC
Material, filler	PP yarn
Material conductor insulation	PVC
Conductor material	Bare Cu litz wires
Insulation resistance	≥ 200 MΩ*km (at 20 °C)
Conductor resistance	78 Ω/km (at 20 °C)
Nominal voltage, cable	≤ 300 V AC
Test voltage, cable	≥ 3000 V AC (Spark test)
Special properties	Flexible use, however not recommended for use in drag chains
Special properties	Low adhesion surface
Special properties	wear-resistant and notch tough
Flame resistance	according to UL 758/1581 (horizontal)
Flame resistance	In accordance with UL 758/1581 FT2
Resistance to oil	According to DIN EN 60811-2-1, 168 h at 100°C
Other resistance	hydrolysis and microbe resistant
Other resistance	Resistant to salt water
Ambient temperature (operation)	-30 °C ... 80 °C (cable, fixed installation)
Ambient temperature (operation)	-15 °C ... 80 °C (cable, flexible installation)

Master cable - SAC-8P-10,0-PURMC/M12FR - 1407823

Technical data

classifications

eCl@ss

eCl@ss 4.0	27060306
eCl@ss 4.1	27060306
eCl@ss 5.0	27061801
eCl@ss 5.1	27061801
eCl@ss 6.0	27279218
eCl@ss 7.0	27279218
eCl@ss 8.0	27279218

ETIM

ETIM 3.0	EC001855
ETIM 4.0	EC001855
ETIM 5.0	EC001855

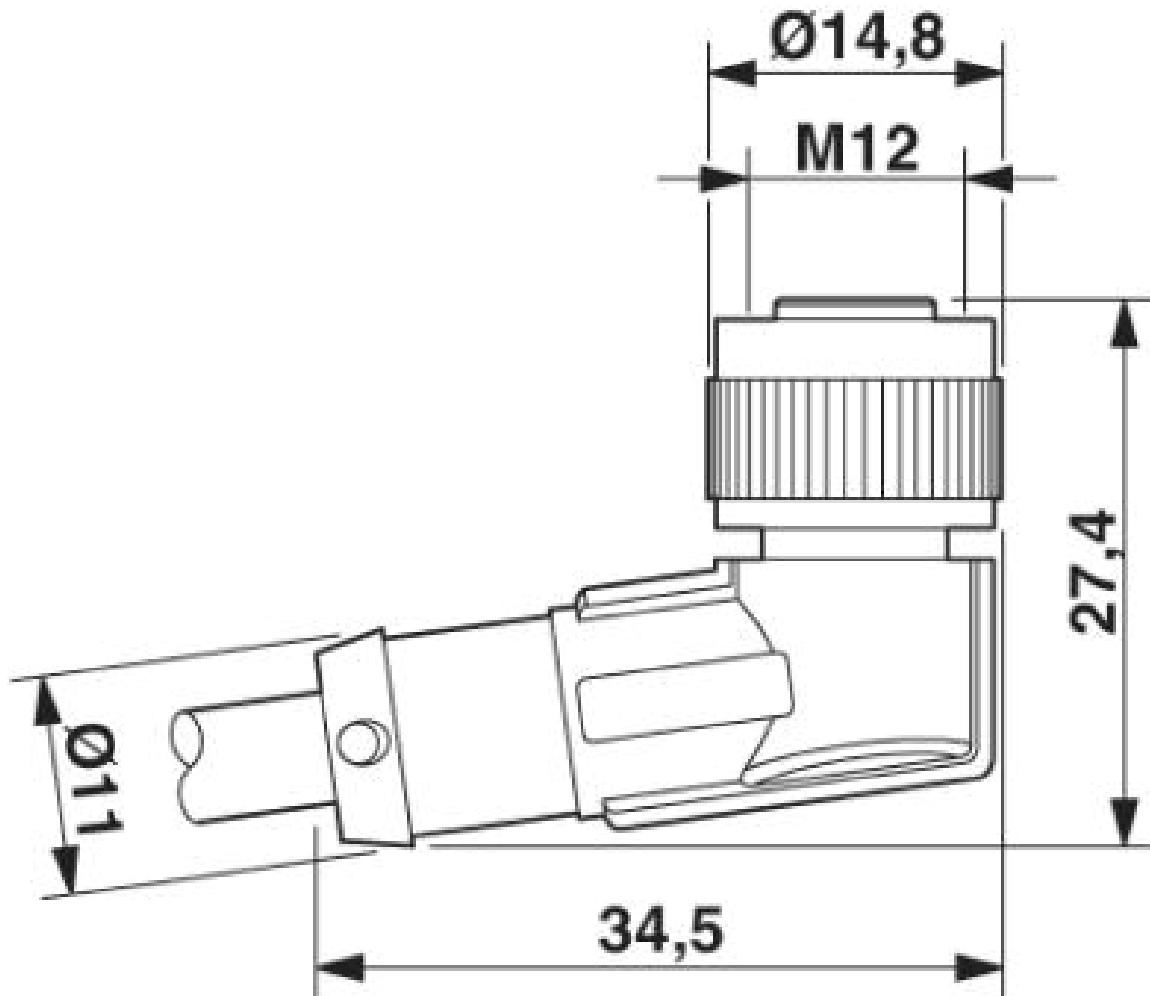
UNSPSC

UNSPSC 6.01	31251501
UNSPSC 7.0901	31251501
UNSPSC 11	31251501
UNSPSC 12.01	31251501
UNSPSC 13.2	31251501

Drawings

Master cable - SAC-8P-10,0-PURMC/M12FR - 1407823

Dimensioned drawing



M12 x 1 socket, angled

Master cable - SAC-8P-10,0-PURMC/M12FR - 1407823

Circuit diagram

