

# Sensor/Actuator cable - SAC-3P-M 8MS/ 1,0-PUR/M 8FS - 1696978

Please be informed that the data shown in this PDF Document is generated from our Online Catalog. Please find the complete data in the user's documentation. Our General Terms of Use for Downloads are valid (<http://download.phoenixcontact.com>)



Sensor/Actuator cable, 3-position, PUR halogen-free, black-gray RAL 7021, Plug straight M8, on Socket straight M8, Cable length: 1 m

## Key commercial data

package_quantity	1
GTIN	4017918593506

## Technical data

### Dimensions

Length of cable	1 m
-----------------	-----

### Ambient conditions

Degree of protection	IP65
Degree of protection	IP67
Degree of protection	IP68

### General

Rated current at 40°C	4 A
Rated voltage	60 V
Number of positions	3
Contact resistance	≤ 5 mΩ
Insulation resistance	≥ 100 MΩ
Coding	A - standard
Status display	No
Surge voltage category	II
Pollution degree	3

### Material

Inflammability class according to UL 94	HB
Contact material	CuSn
Contact surface material	Ni/Au
Contact carrier material	TPU GF
Material of grip body	TPU, hardly inflammable, self-extinguishing
Material, knurls	Zinc die-cast, nickel-plated

# Sensor/Actuator cable - SAC-3P-M 8MS/ 1,0-PUR/M 8FS - 1696978

## Technical data

### Material

<b>Sealing material</b>	NBR
-------------------------	-----

### Cable

<b>Cable type</b>	PUR halogen-free black
<b>Cable type (abbreviation)</b>	PUR
<b>Cable abbreviation</b>	Li9Y11Y-HF
<b>UL AWM style</b>	20549
<b>Conductor cross section</b>	3x 0.25 mm <sup>2</sup> (signal line)
<b>AWG signal line</b>	24
<b>Conductor structure signal line</b>	32x 0.10 mm
<b>Core diameter including insulation</b>	1.17 mm ±0.02 mm (signal line)
<b>Thickness, insulation</b>	≥ 0.38 mm (Core insulation)
<b>Thickness, insulation</b>	approx. 0.9 mm (Outer cable sheath)
<b>Wire colors</b>	brown, blue, black
<b>Overall twist</b>	3 wires, twisted
<b>Length of twist, overall twist</b>	40 mm
<b>External sheath, color</b>	black-gray RAL 7021
<b>External cable diameter D</b>	4.4 mm ±0.15 mm
<b>Smallest bending radius, fixed installation</b>	22 mm
<b>Smallest bending radius, movable installation</b>	44 mm
<b>Number of bending cycles</b>	4000000
<b>Bending radius</b>	44 mm
<b>Traversing path</b>	10 m
<b>Traversing rate</b>	3 m/s
<b>Acceleration</b>	10 m/s <sup>2</sup>
<b>Cable weight</b>	24 kg/km
<b>Outer sheath, material</b>	PUR
<b>Material conductor insulation</b>	PP
<b>Conductor material</b>	Bare Cu litz wires
<b>Insulation resistance</b>	≥ 100 GΩ*km (at 20 °C)
<b>Conductor resistance</b>	≤ 78 Ω/km (at 20 °C)
<b>Nominal voltage, cable</b>	≤ 300 V
<b>Test voltage, cable</b>	≥ 3000 V
<b>Special properties</b>	Flexible cable conduit capable
<b>Special properties</b>	Silicone-free
<b>Special properties</b>	Free of substances which would hinder coating with paint or varnish
<b>Flame resistance</b>	in accordance with DIN UL-Style 20549
<b>Halogen-free</b>	in accordance with DIN VDE 0472 part 815
<b>Resistance to oil</b>	in accordance with DIN EN 60811-2-1
<b>Other resistance</b>	hydrolysis and microbe resistant

# Sensor/Actuator cable - SAC-3P-M 8MS/ 1,0-PUR/M 8FS - 1696978

## Technical data

### Cable

<b>Other resistance</b>	Highly resistant to acids, alkaline solutions and solvents
<b>Other resistance</b>	Resistant to salt water
<b>Other resistance</b>	partly UV-resistant in accordance with DIN EN ISO 4892-2-A
<b>Ambient temperature (operation)</b>	-40 °C ... 80 °C (cable, fixed installation)
<b>Ambient temperature (operation)</b>	-25 °C ... 80 °C (cable, flexible installation)

## classifications

### eCl@ss

<b>eCl@ss 4.0</b>	27060306
<b>eCl@ss 4.1</b>	27060306
<b>eCl@ss 5.0</b>	27061801
<b>eCl@ss 5.1</b>	27061801
<b>eCl@ss 6.0</b>	27061801
<b>eCl@ss 7.0</b>	27061801
<b>eCl@ss 8.0</b>	27061801

### ETIM

<b>ETIM 2.0</b>	EC000830
<b>ETIM 3.0</b>	EC001855
<b>ETIM 4.0</b>	EC001855
<b>ETIM 5.0</b>	EC001855


### UNSPSC

<b>UNSPSC 6.01</b>	31251501
<b>UNSPSC 7.0901</b>	31251501
<b>UNSPSC 11</b>	31251501
<b>UNSPSC 12.01</b>	31251501
<b>UNSPSC 13.2</b>	31251501

## approvals

UL Listed / cUL Listed / cULus Listed /

### Approval details

	
Nominal voltage UN	125 V

# Sensor/Actuator cable - SAC-3P-M 8MS/ 1,0-PUR/M 8FS - 1696978

## approvals

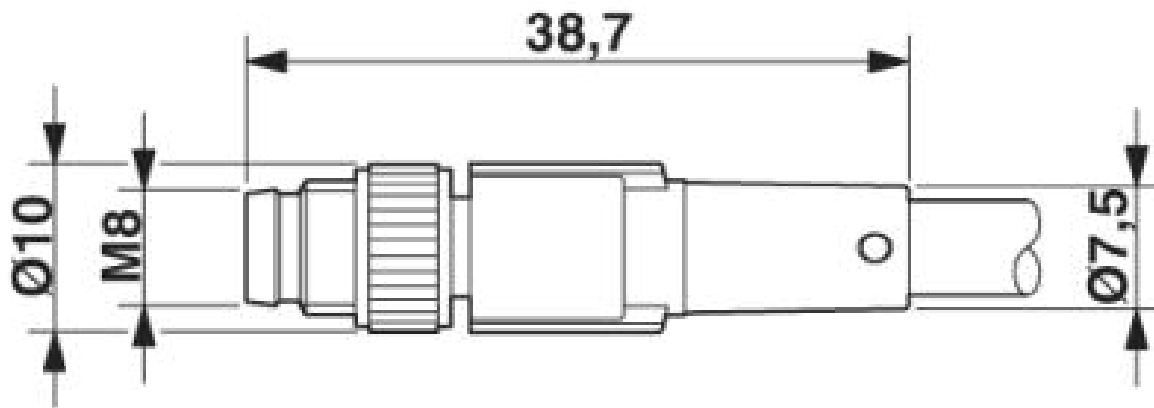
Nominal current I <sub>N</sub>	4 A
mm <sup>2</sup> /AWG/kcmil	

cUL Listed	
Nominal voltage U <sub>N</sub>	125 V
Nominal current I <sub>N</sub>	4 A
mm <sup>2</sup> /AWG/kcmil	

cULus Listed	
--------------	--

## Drawings

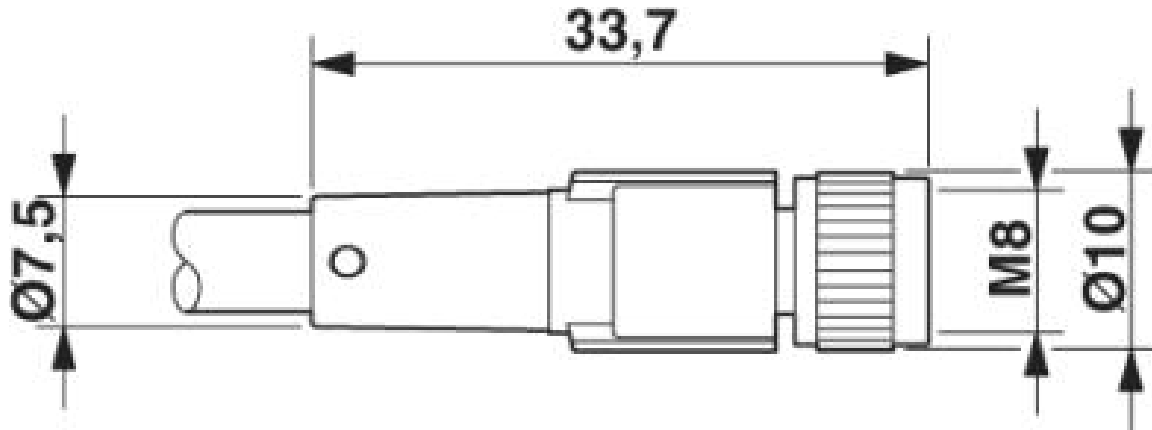
### Dimensioned drawing



M8 x 1 male plug, straight version

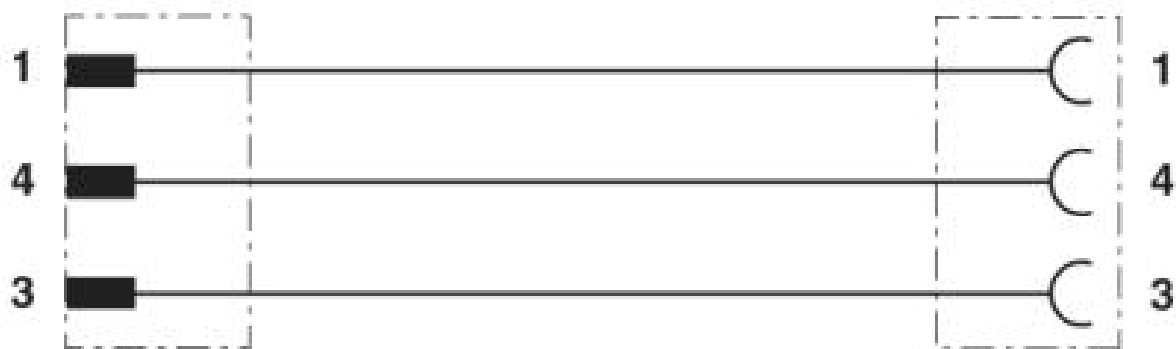
# Sensor/Actuator cable - SAC-3P-M 8MS/ 1,0-PUR/M 8FS - 1696978

Dimensioned drawing



Socket M8 x 1, straight

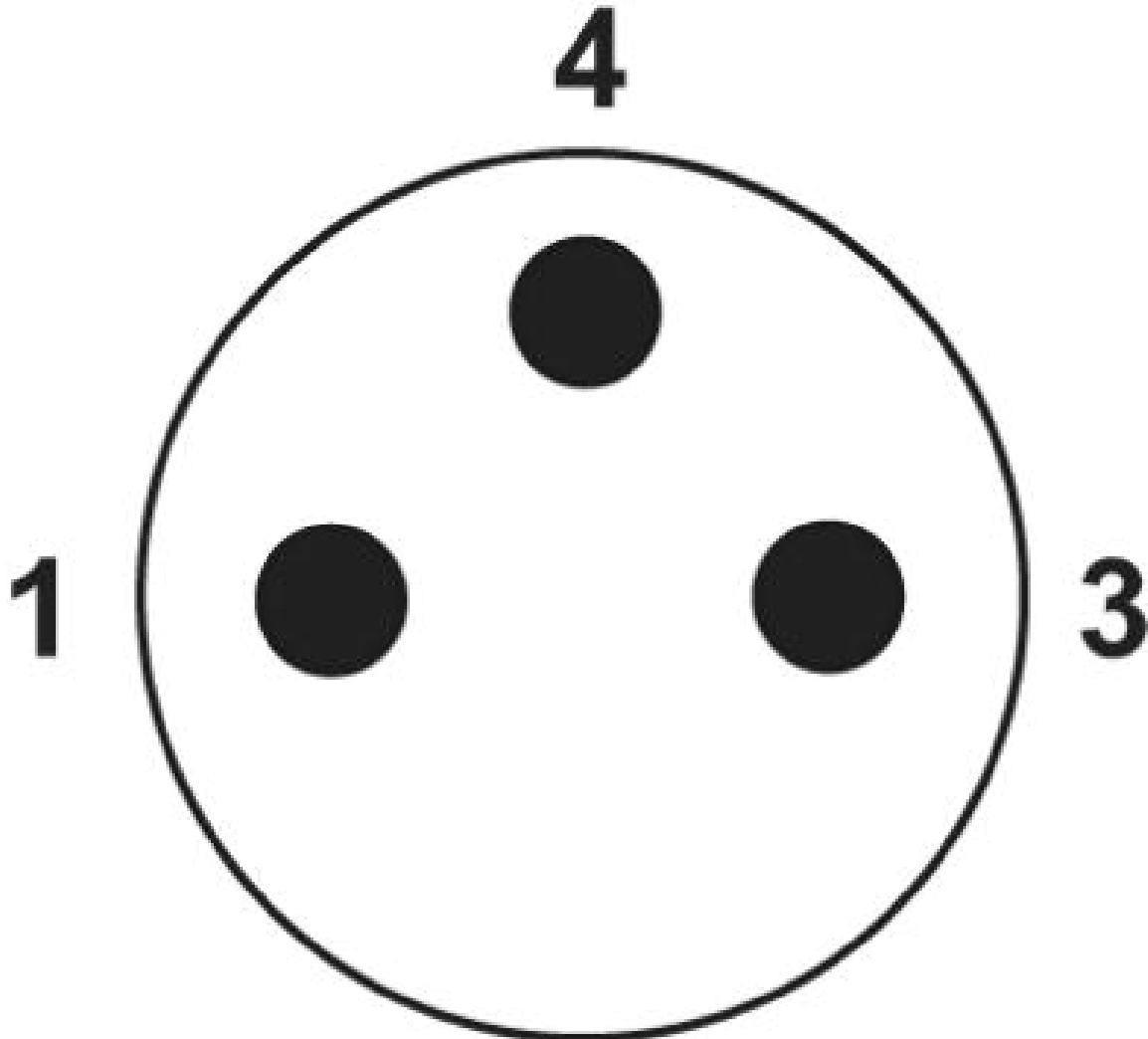
Circuit diagram



Contact assignment of M8 plugs/sockets

# Sensor/Actuator cable - SAC-3P-M 8MS/ 1,0-PUR/M 8FS - 1696978

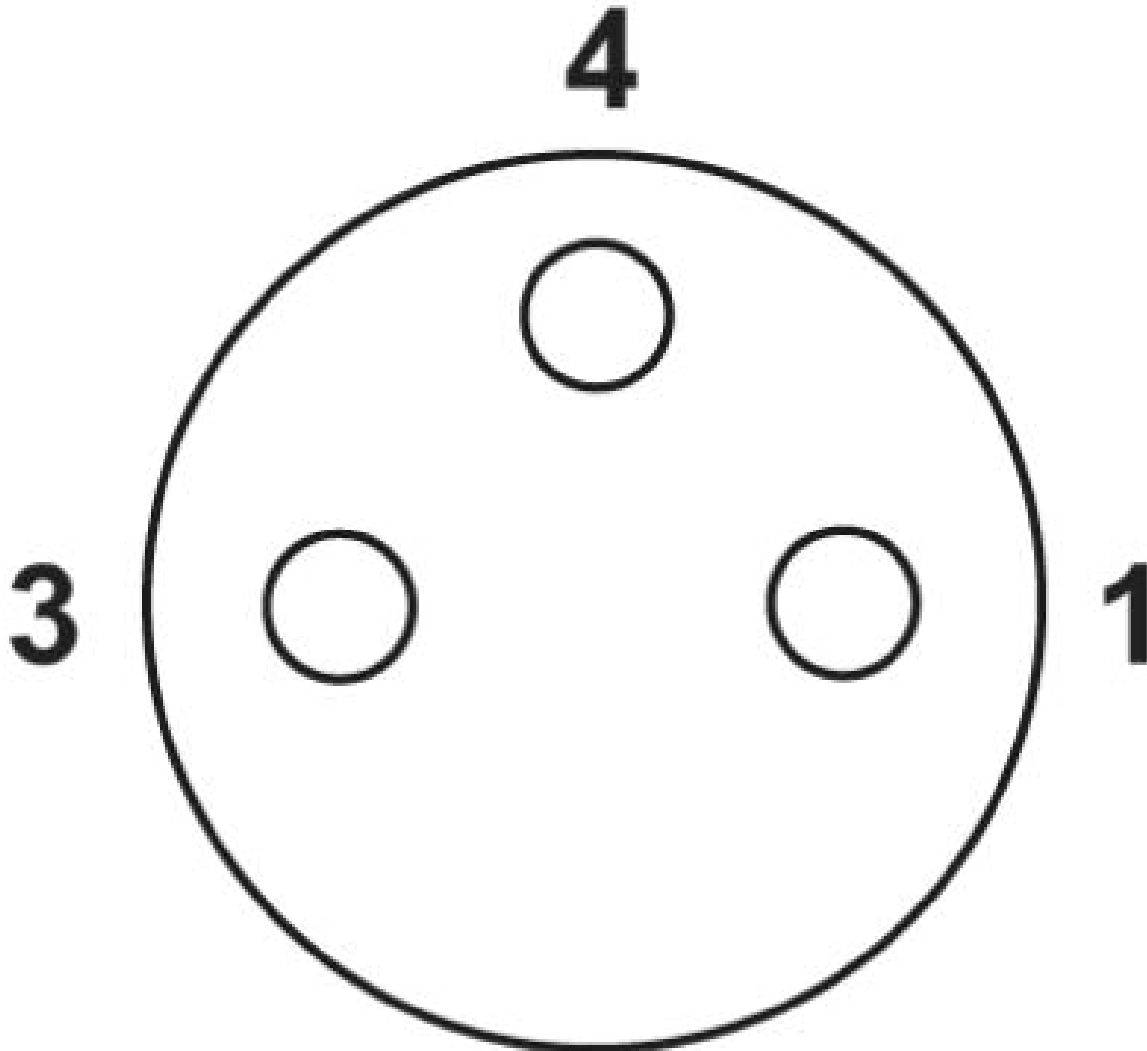
Schematic diagram



Pin assignment M8 plug, 3-pos., view male side

# Sensor/Actuator cable - SAC-3P-M 8MS/ 1,0-PUR/M 8FS - 1696978

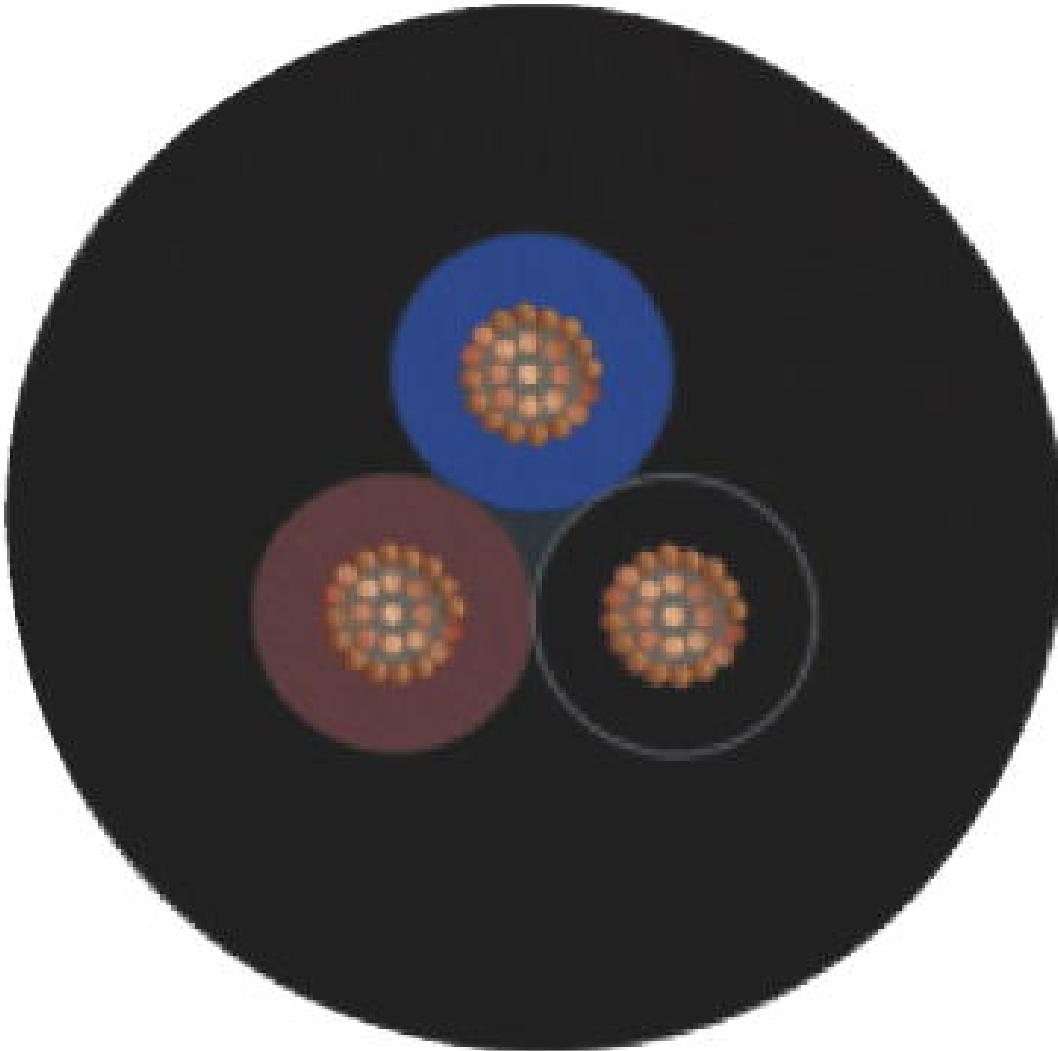
Schematic diagram



Pin assignment M8 socket, 3-pos., view female side

## Sensor/Actuator cable - SAC-3P-M 8MS/ 1,0-PUR/M 8FS - 1696978

Cable cross section



PUR halogen-free black [PUR]

© Phoenix Contact 2014 - all rights reserved  
<http://www.phoenixcontact.com>