

Sensor/Actuator cable - SAC-4P-10,0-PUR/M 8FS - 1683484

Please be informed that the data shown in this PDF Document is generated from our Online Catalog. Please find the complete data in the user's documentation. Our General Terms of Use for Downloads are valid (<http://download.phoenixcontact.com>)



Sensor/Actuator cable, 4-position, PUR halogen-free, black-gray RAL 7021, free cable end, on Socket straight M8, Cable length: 10 m

Product Features

- Easy and safe: 100% electrically tested plug-in components
- Our standard: robust halogen-free PUR cable

Key commercial data

| | |
|-------------------------|---------------|
| package_quantity | 1 |
| GTIN | 4017918185824 |

Technical data

Dimensions

| | |
|---|-------|
| Length of cable | 10 m |
| Stripping length of the free conductor end | 50 mm |

Ambient conditions

| | |
|--|----------------------------------|
| Ambient temperature (operation) | -25 °C ... 90 °C (Plug / socket) |
| Degree of protection | IP65 |
| Degree of protection | IP67 |
| Degree of protection | IP68 |

General

| | |
|-------------------------------------|------------------------------|
| Rated current at 40°C | 4 A |
| Rated voltage | 30 V |
| Number of positions | 4 |
| Contact resistance | ≤ 5 mΩ |
| Insulation resistance | ≥ 100 MΩ |
| Coding | A - standard |
| Standards/regulations | M8 connector IEC 61076-2-104 |
| Status display | No |
| Protective circuit/component | Unwired |
| Surge voltage category | II |
| Pollution degree | 3 |
| Insertion/withdrawal cycles | ≥ 100 |

Sensor/Actuator cable - SAC-4P-10,0-PUR/M 8FS - 1683484

Technical data

General

| | |
|---------------|------------------------|
| Torque | 0.2 Nm (M8 connectors) |
|---------------|------------------------|

Material

| | |
|--|---|
| Inflammability class according to UL 94 | HB |
| Contact material | CuSn |
| Contact surface material | Ni/Au |
| Contact carrier material | TPU GF |
| Material of grip body | TPU, hardly inflammable, self-extinguishing |
| Material, knurls | Zinc die-cast, nickel-plated |
| Sealing material | NBR |

Cable

| | |
|--|---------------------------------------|
| Cable type | PUR halogen-free black |
| Cable type (abbreviation) | PUR |
| Cable abbreviation | Li9Y11Y-HF |
| Conductor cross section | 4x 0.25 mm ² (signal line) |
| AWG signal line | 24 |
| Conductor structure signal line | 32x 0.10 mm |
| Core diameter including insulation | 1.17 mm ±0.02 mm (signal line) |
| Thickness, insulation | ≥ 0.21 mm (Core insulation) |
| Thickness, insulation | approx. 0.7 mm (Outer cable sheath) |
| Wire colors | brown, white, blue, black |
| Overall twist | 4 wires, twisted |
| External sheath, color | RAL 9005 (black gray) |
| External cable diameter D | 4.4 mm ±0.15 mm |
| Smallest bending radius, fixed installation | 22 mm |
| Smallest bending radius, movable installation | 44 mm |
| Number of bending cycles | 4000000 |
| Bending radius | 44 mm |
| Traversing path | 10 m |
| Traversing rate | 3 m/s |
| Acceleration | 5 m/s ² |
| Cable weight | 25 kg/km |
| Outer sheath, material | PUR |
| Material conductor insulation | PP |
| Conductor material | Bare Cu litz wires |
| Insulation resistance | ≥ 100 GΩ*km (at 20 °C) |
| Conductor resistance | max. 78 Ω/km (at 20 °C) |
| Nominal voltage, cable | ≤ 300 V |
| Test voltage, cable | ≥ 3000 V |
| Special properties | Flexible cable conduit capable |
| Special properties | Silicone-free |

Sensor/Actuator cable - SAC-4P-10,0-PUR/M 8FS - 1683484

Technical data

Cable

| | |
|--|---|
| Special properties | Free of substances which would hinder coating with paint or varnish |
| Flame resistance | in accordance with DIN UL-Style 20549 |
| Halogen-free | in accordance with DIN VDE 0472 part 815 |
| Resistance to oil | in accordance with DIN EN 60811-2-1 |
| Other resistance | Highly resistant to acids, alkaline solutions and solvents |
| Other resistance | hydrolysis and microbe resistant |
| Other resistance | partly UV-resistant in accordance with DIN EN ISO 4892-2-A |
| Ambient temperature (operation) | -40 °C ... 80 °C (cable, fixed installation) |
| Ambient temperature (operation) | -25 °C ... 80 °C (cable, flexible installation) |

classifications

eCl@ss

| | |
|-------------------|----------|
| eCl@ss 4.0 | 27060306 |
| eCl@ss 4.1 | 27060306 |
| eCl@ss 5.0 | 27061801 |
| eCl@ss 5.1 | 27061801 |
| eCl@ss 6.0 | 27061801 |
| eCl@ss 7.0 | 27061801 |
| eCl@ss 8.0 | 27061801 |

ETIM

| | |
|-----------------|----------|
| ETIM 2.0 | EC000830 |
| ETIM 3.0 | EC001855 |
| ETIM 4.0 | EC001855 |
| ETIM 5.0 | EC001855 |

UNSPSC

| | |
|----------------------|----------|
| UNSPSC 6.01 | 31251501 |
| UNSPSC 7.0901 | 31251501 |
| UNSPSC 11 | 31251501 |
| UNSPSC 12.01 | 31251501 |
| UNSPSC 13.2 | 31251501 |

approvals

UL Listed / cUL Listed / GOST / cULus Listed /

Approval details

Sensor/Actuator cable - SAC-4P-10,0-PUR/M 8FS - 1683484

approvals

| | |
|----------------------------|-------|
| UL Listed | |
| Nominal voltage UN | 125 V |
| Nominal current IN | 4 A |
| mm ² /AWG/kcmil | |

| | |
|----------------------------|-------|
| cUL Listed | |
| Nominal voltage UN | 125 V |
| Nominal current IN | 4 A |
| mm ² /AWG/kcmil | |

| | |
|-------------|--|
| GOST | |
|-------------|--|

| | |
|---------------------|--|
| cULus Listed | |
|---------------------|--|

accessories

Conductor marking

PABA WH/15 - 1013151



PABA YE/15 - 1013698



Sensor/Actuator cable - SAC-4P-10,0-PUR/M 8FS - 1683484

accessories

PABA RD/15 - 1013944



Marker carrier cable

PATG 2/15 - 1013038



PATG 3/15 - 1013041



PATG 4/15 - 1013054



Marker pen

B-STIFT - 1051993



Cutting tools

Sensor/Actuator cable - SAC-4P-10,0-PUR/M 8FS - 1683484

accessories

CUTFOX-S VDE - 1212207



Stripping tool

WIREFOX SAC-1 - 1212757



WIREFOX SAC - 1212623



WIREFOX 10 - 1212150



Protective cap

PROT-M 8 MS-PA-CHAIN - 1430860



Torque tool

Sensor/Actuator cable - SAC-4P-10,0-PUR/M 8FS - 1683484

accessories

TSD 02 SAC - 1208487



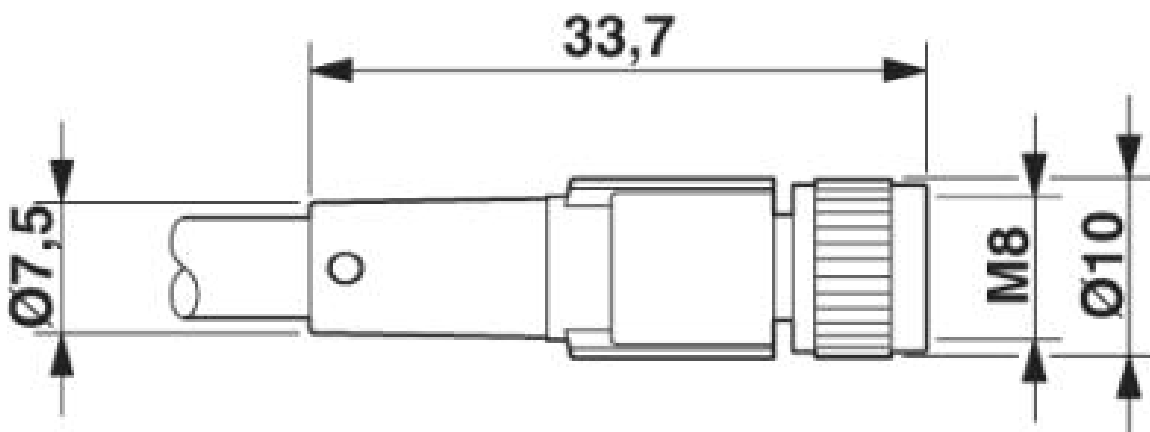
Screwdriver tools

SAC BIT M8-D10 - 1208461



Drawings

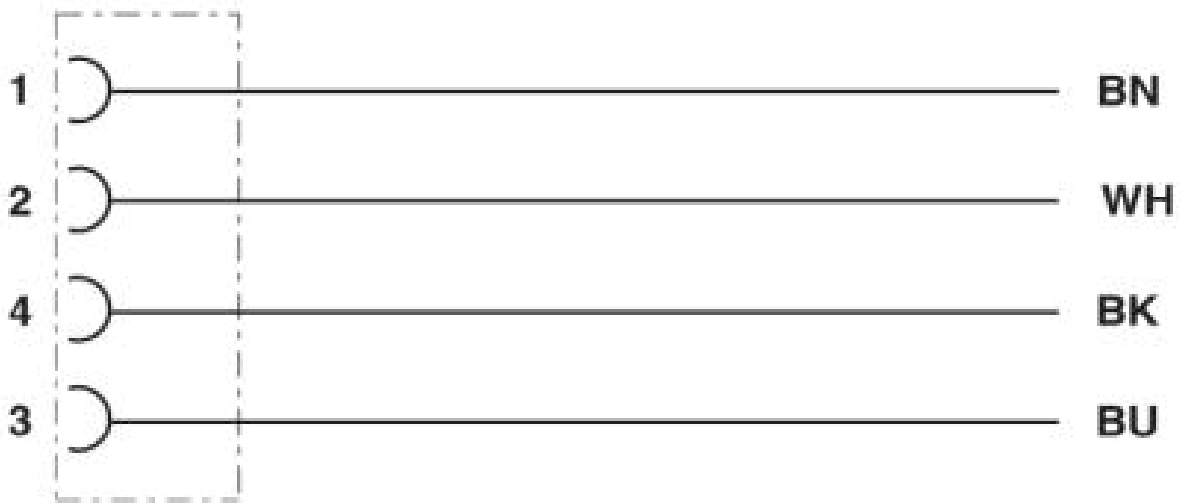
Dimensioned drawing



Socket M8 x 1, straight

Sensor/Actuator cable - SAC-4P-10,0-PUR/M 8FS - 1683484

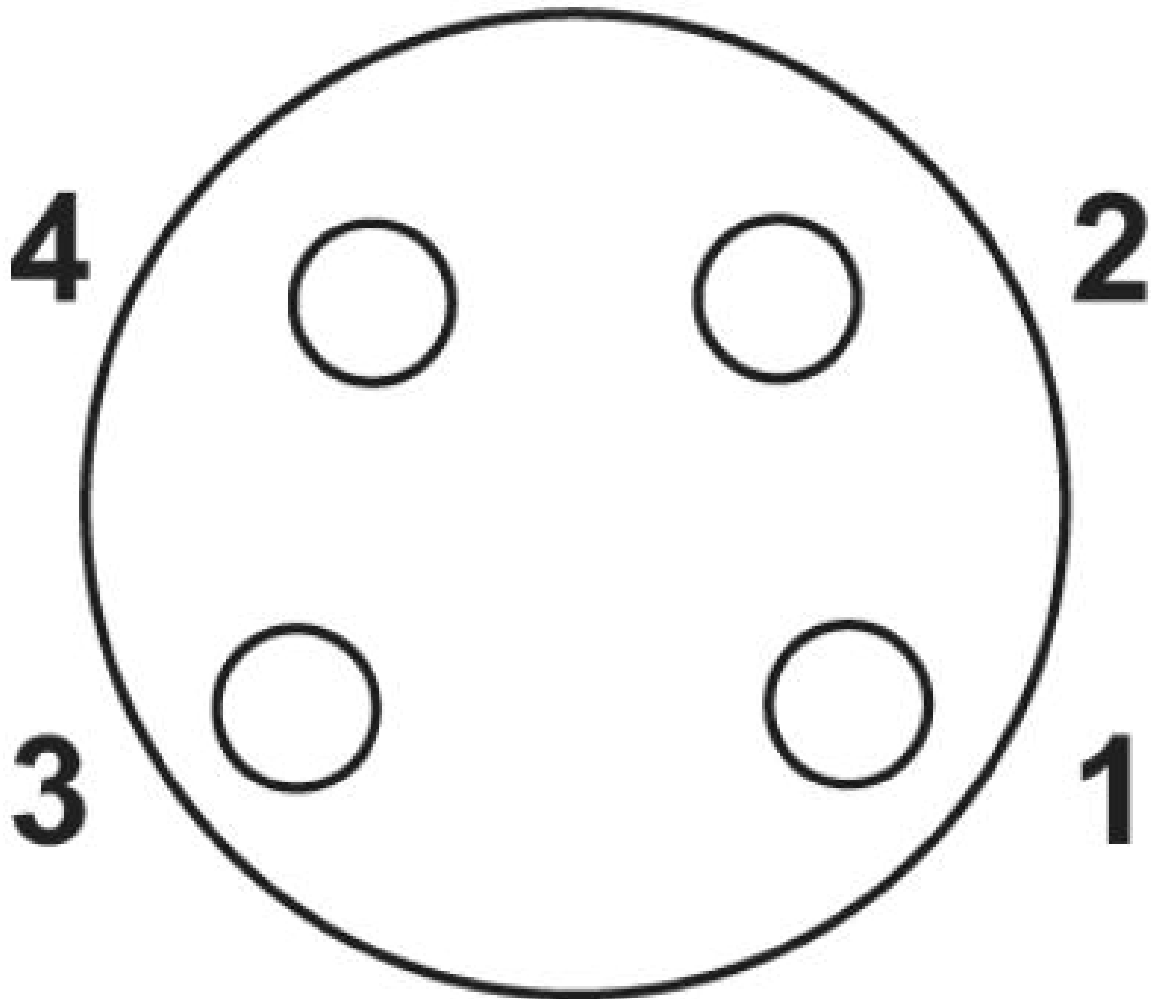
Circuit diagram



Contact assignment of M8 socket

Sensor/Actuator cable - SAC-4P-10,0-PUR/M 8FS - 1683484

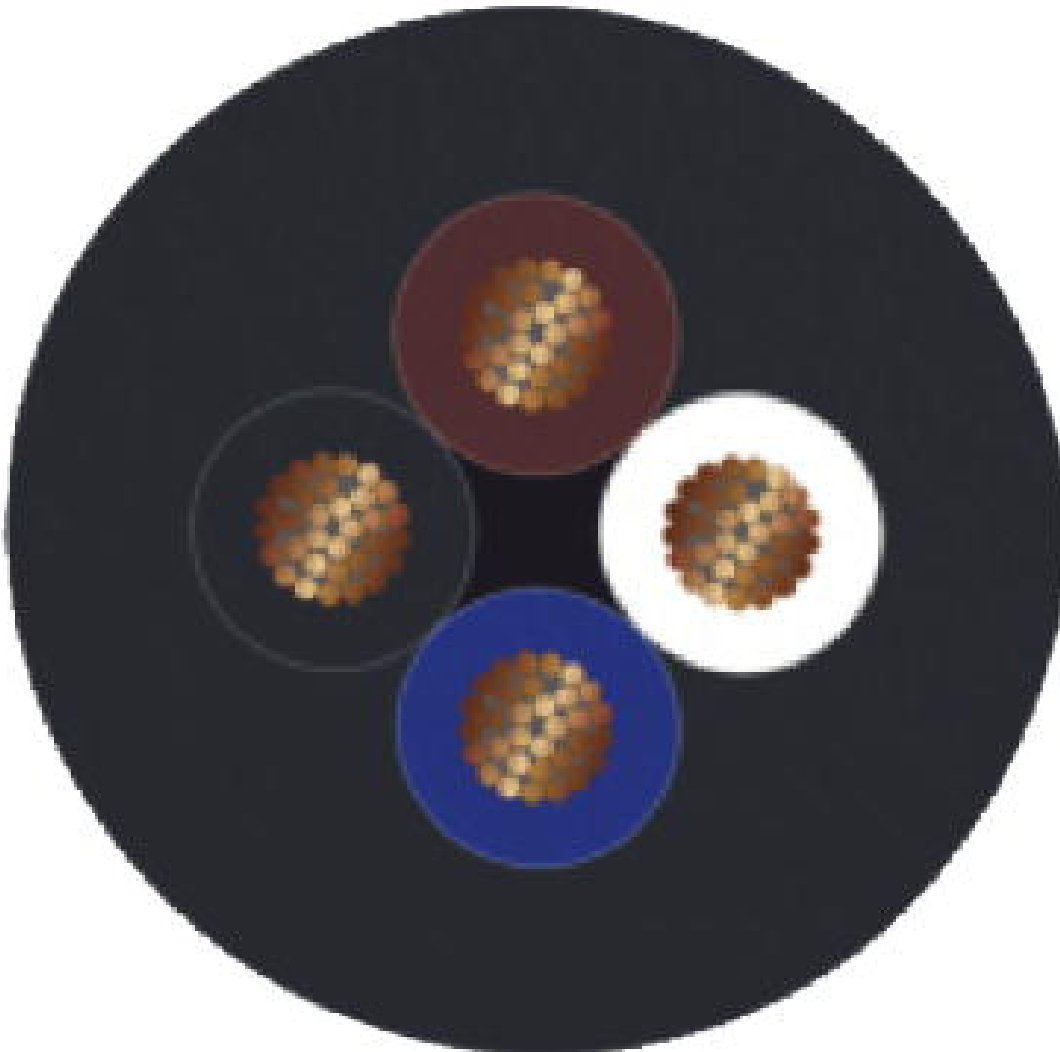
Schematic diagram



Pin assignment M8 socket, 4-pos., view female side

Sensor/Actuator cable - SAC-4P-10,0-PUR/M 8FS - 1683484

Cable cross section



PUR halogen-free black [PUR]

© Phoenix Contact 2014 - all rights reserved
<http://www.phoenixcontact.com>