

# Sensor/Actuator cable - SAC-3P-M12MR/10,0-PUR/M 8FS - 1544905

Please be informed that the data shown in this PDF Document is generated from our Online Catalog. Please find the complete data in the user's documentation. Our General Terms of Use for Downloads are valid (<http://download.phoenixcontact.com>)



Sensor/Actuator cable, 3-position, PUR halogen-free, black-gray RAL 7021, Plug angled M12, A-coded, on Socket straight M8, Cable length: 10 m

## Key commercial data

package_quantity	1
GTIN	4046356118460

## Technical data

### Dimensions

Length of cable	10 m
-----------------	------

### Ambient conditions

Ambient temperature (operation)	-25 °C ... 90 °C (Plug / socket)
Degree of protection	IP65
Degree of protection	IP67
Degree of protection	IP68

### General

Rated current at 40°C	4 A
Rated voltage	60 V
Number of positions	3
Contact resistance	≤ 5 mΩ
Insulation resistance	≥ 100 MΩ
Coding	A - standard
Standards/regulations	M12 connector IEC 61076-2-101
Standards/regulations	M8 connector IEC 61076-2-104
Status display	No
Surge voltage category	II
Pollution degree	3
Insertion/withdrawal cycles	≥ 100

### Material

Inflammability class according to UL 94	HB
Contact material	CuSn

# Sensor/Actuator cable - SAC-3P-M12MR/10,0-PUR/M 8FS - 1544905

## Technical data

### Material

<b>Contact surface material</b>	Ni/Au
<b>Contact carrier material</b>	TPU GF
<b>Material of grip body</b>	TPU, hardly inflammable, self-extinguishing
<b>Material, knurls</b>	Zinc die-cast, nickel-plated
<b>Sealing material</b>	NBR

### Cable

<b>Cable type</b>	PUR halogen-free black
<b>Cable type (abbreviation)</b>	PUR
<b>Cable abbreviation</b>	Li9Y11Y-HF
<b>UL AWM style</b>	20549
<b>Conductor cross section</b>	3x 0.25 mm <sup>2</sup> (signal line)
<b>AWG signal line</b>	24
<b>Conductor structure signal line</b>	32x 0.10 mm
<b>Core diameter including insulation</b>	1.17 mm ±0.02 mm (signal line)
<b>Thickness, insulation</b>	≥ 0.38 mm (Core insulation)
<b>Thickness, insulation</b>	approx. 0.9 mm (Outer cable sheath)
<b>Wire colors</b>	brown, blue, black
<b>Overall twist</b>	3 wires, twisted
<b>Length of twist, overall twist</b>	40 mm
<b>External sheath, color</b>	black-gray RAL 7021
<b>External cable diameter D</b>	4.4 mm ±0.15 mm
<b>Smallest bending radius, fixed installation</b>	22 mm
<b>Smallest bending radius, movable installation</b>	44 mm
<b>Number of bending cycles</b>	4000000
<b>Bending radius</b>	44 mm
<b>Traversing path</b>	10 m
<b>Traversing rate</b>	3 m/s
<b>Acceleration</b>	10 m/s <sup>2</sup>
<b>Cable weight</b>	24 kg/km
<b>Outer sheath, material</b>	PUR
<b>Material conductor insulation</b>	PP
<b>Conductor material</b>	Bare Cu litz wires
<b>Insulation resistance</b>	≥ 100 GΩ*km (at 20 °C)
<b>Conductor resistance</b>	≤ 78 Ω/km (at 20 °C)
<b>Nominal voltage, cable</b>	≤ 300 V
<b>Test voltage, cable</b>	≥ 3000 V
<b>Special properties</b>	Flexible cable conduit capable
<b>Special properties</b>	Silicone-free
<b>Special properties</b>	Free of substances which would hinder coating with paint or varnish

# Sensor/Actuator cable - SAC-3P-M12MR/10,0-PUR/M 8FS - 1544905

## Technical data

### Cable

<b>Flame resistance</b>	in accordance with DIN UL-Style 20549
<b>Halogen-free</b>	in accordance with DIN VDE 0472 part 815
<b>Resistance to oil</b>	in accordance with DIN EN 60811-2-1
<b>Other resistance</b>	hydrolysis and microbe resistant
<b>Other resistance</b>	Highly resistant to acids, alkaline solutions and solvents
<b>Other resistance</b>	Resistant to salt water
<b>Other resistance</b>	partly UV-resistant in accordance with DIN EN ISO 4892-2-A
<b>Ambient temperature (operation)</b>	-40 °C ... 80 °C (cable, fixed installation)
<b>Ambient temperature (operation)</b>	-25 °C ... 80 °C (cable, flexible installation)

## classifications

### eCl@ss

<b>eCl@ss 4.0</b>	27060306
<b>eCl@ss 4.1</b>	27060306
<b>eCl@ss 5.0</b>	27061801
<b>eCl@ss 5.1</b>	27061801
<b>eCl@ss 6.0</b>	27061801
<b>eCl@ss 7.0</b>	27061801
<b>eCl@ss 8.0</b>	27061801

### ETIM

<b>ETIM 3.0</b>	EC001855
<b>ETIM 4.0</b>	EC001855
<b>ETIM 5.0</b>	EC001855

### UNSPSC

<b>UNSPSC 6.01</b>	31251501
<b>UNSPSC 7.0901</b>	31251501
<b>UNSPSC 11</b>	31251501
<b>UNSPSC 12.01</b>	31251501
<b>UNSPSC 13.2</b>	31251501

## approvals

---

UL Listed / cUL Listed / cULus Listed /

---

### Approval details

# Sensor/Actuator cable - SAC-3P-M12MR/10,0-PUR/M 8FS - 1544905

approvals

<b>UL Listed</b>	
Nominal voltage UN	125 V
Nominal current IN	4 A
mm <sup>2</sup> /AWG/kcmil	

<b>cUL Listed</b>	
Nominal voltage UN	125 V
Nominal current IN	4 A
mm <sup>2</sup> /AWG/kcmil	

<b>cULus Listed</b>	
---------------------	--

accessories

### Protective cap

PROT-M12 FS-PA-CHAIN - 1430873



PROT-M 8 MS-PA-CHAIN - 1430860



### Safety locking

# Sensor/Actuator cable - SAC-3P-M12MR/10,0-PUR/M 8FS - 1544905

## accessories

SAC-M12-EXCLIP-M - 1558988



---

## Conductor marking

PABA WH/15 - 1013151



---

PABA YE/15 - 1013698



---

PABA RD/15 - 1013944



---

## Marker carrier cable

PATO 2/15 - 1013122



## Sensor/Actuator cable - SAC-3P-M12MR/10,0-PUR/M 8FS - 1544905

### accessories

PATO 3/15 - 1013135



PATO 4/15 - 1013148



### Marker pen

B-STIFT - 1051993



### Torque tool

TSD 02 SAC - 1208487



TSD 04 SAC - 1208429



# Sensor/Actuator cable - SAC-3P-M12MR/10,0-PUR/M 8FS - 1544905

## accessories

TSD-M 1,2NM - 1212224



---

## Screwdriver tools

SAC BIT M8-D10 - 1208461



TSD-M SAC-BIT ADAPTER - 1212600



SAC BIT M12-D15 - 1208432

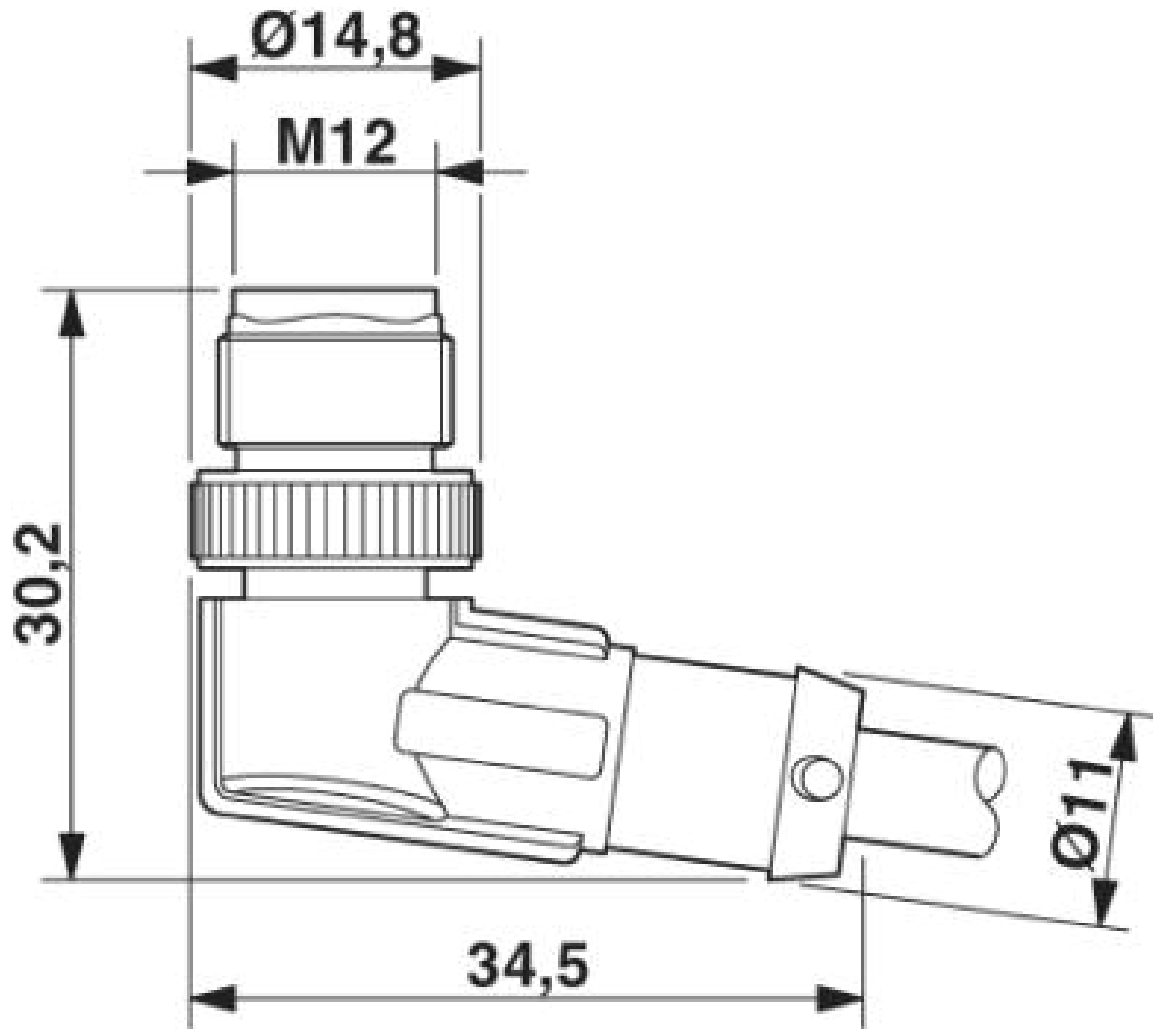


---

## Drawings

# Sensor/Actuator cable - SAC-3P-M12MR/10,0-PUR/M 8FS - 1544905

Dimensioned drawing

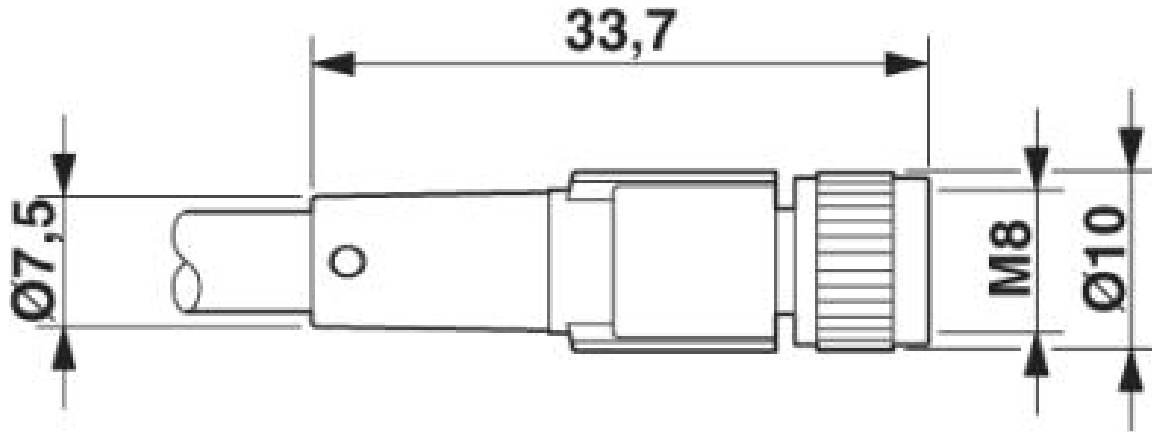


M12 x 1 male plug, angled



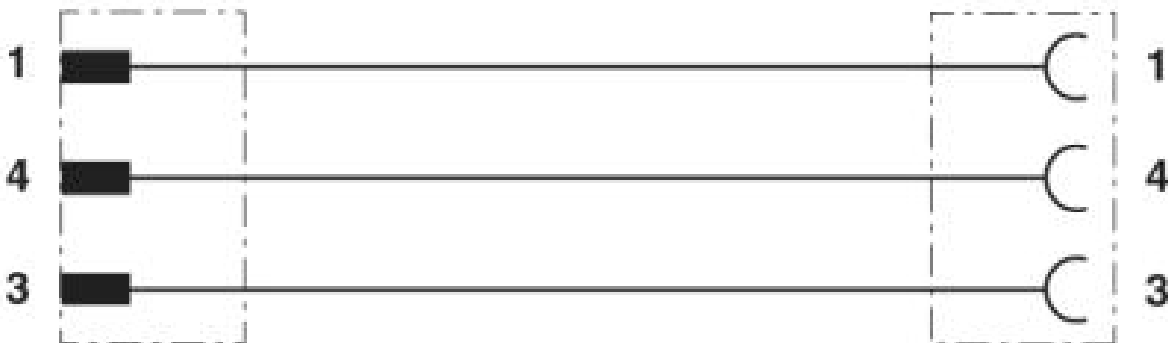
# Sensor/Actuator cable - SAC-3P-M12MR/10,0-PUR/M 8FS - 1544905

Dimensioned drawing



Socket M8 x 1, straight

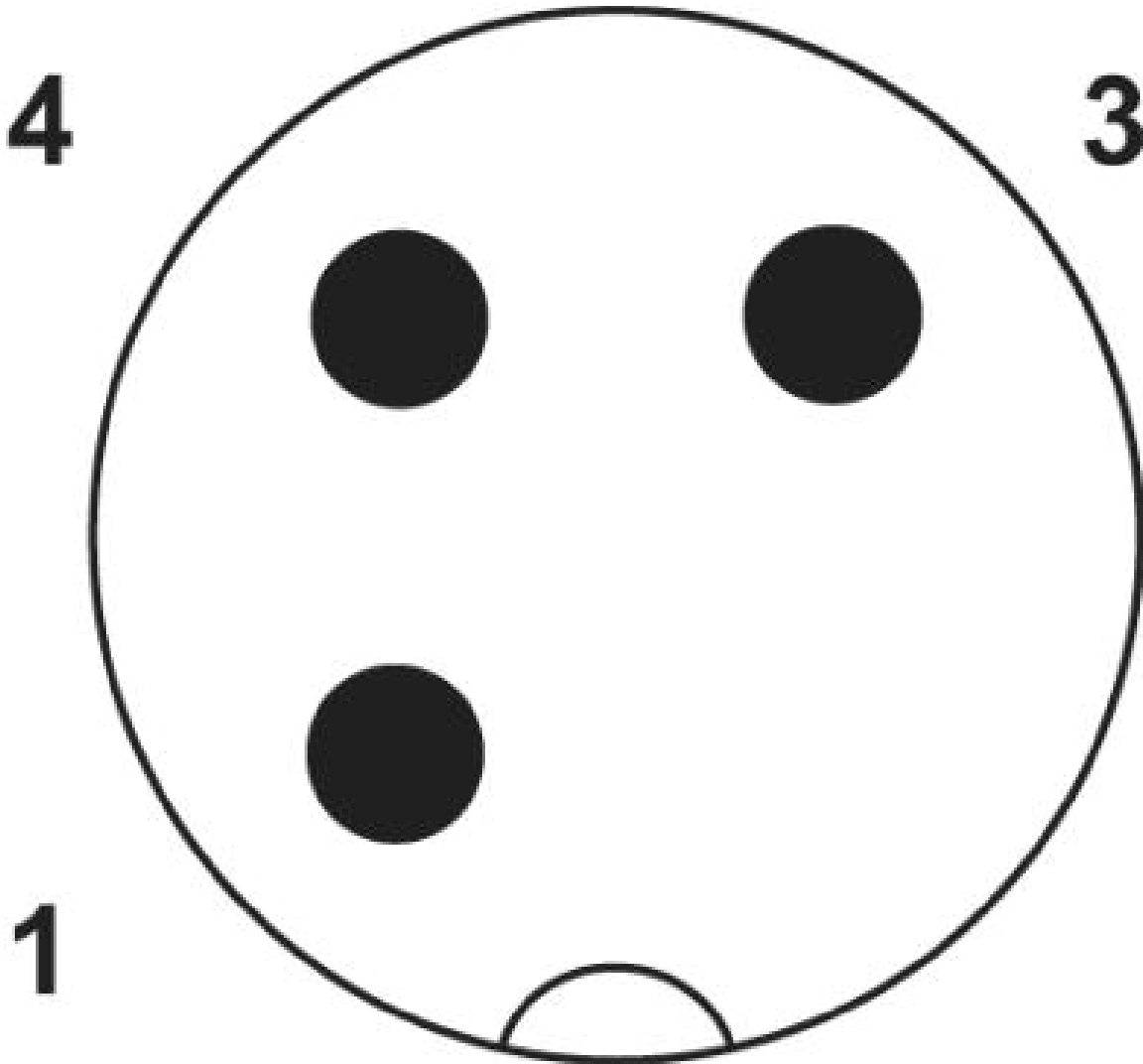
Circuit diagram



Contact assignment of M12 plugs / M8 sockets

# Sensor/Actuator cable - SAC-3P-M12MR/10,0-PUR/M 8FS - 1544905

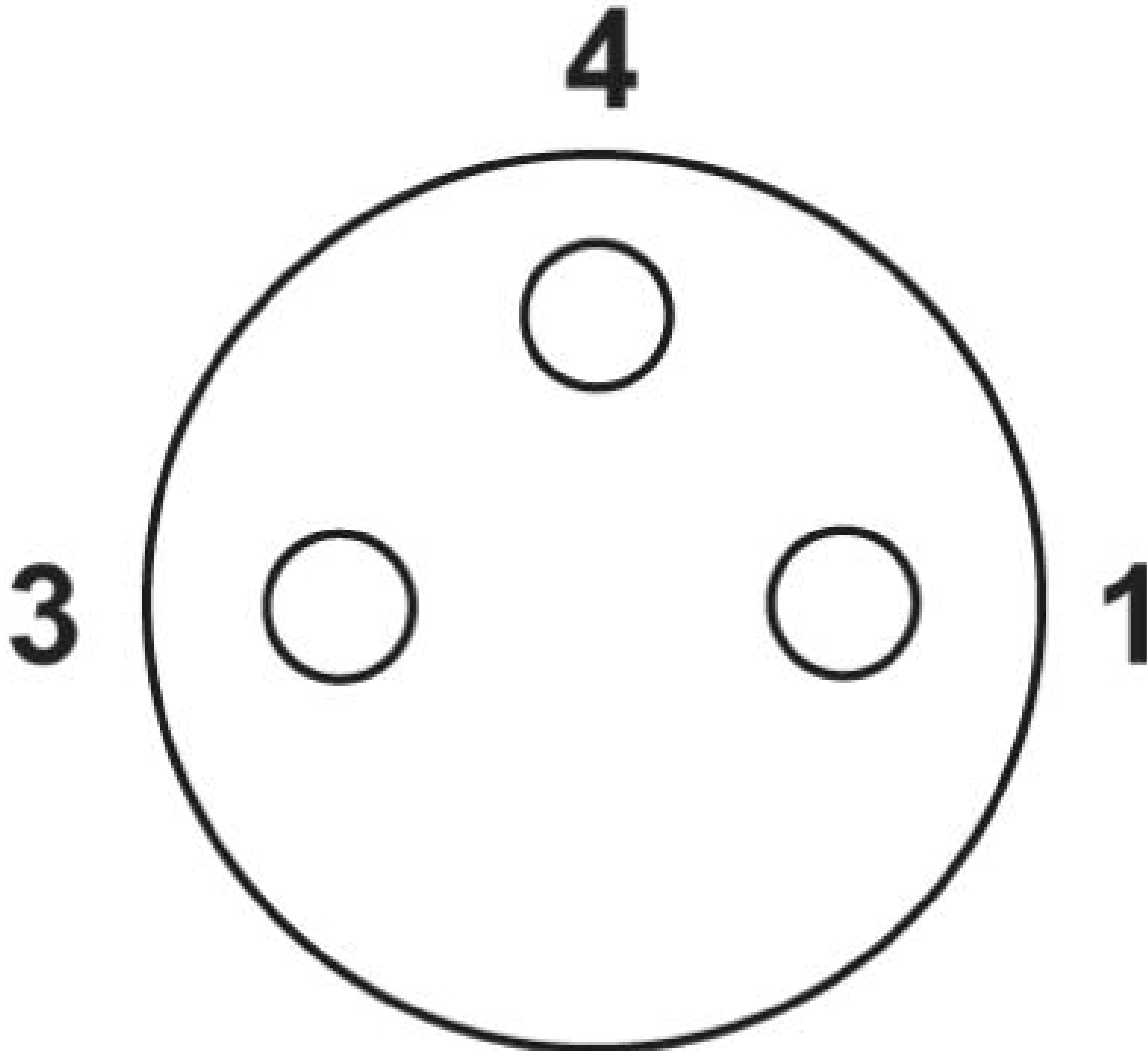
Schematic diagram



Pin assignment M12 plug, 3-pos., A-coded, view male side

# Sensor/Actuator cable - SAC-3P-M12MR/10,0-PUR/M 8FS - 1544905

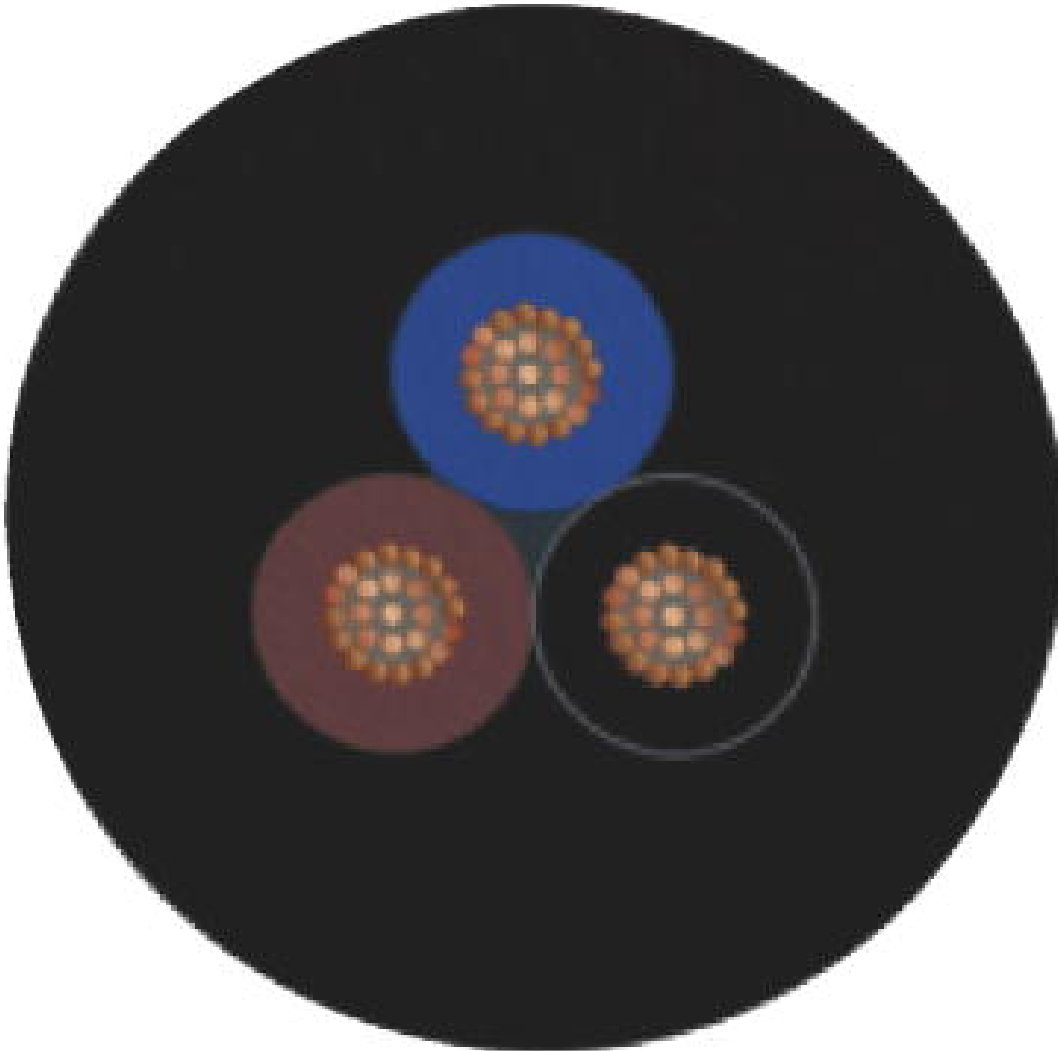
Schematic diagram



Pin assignment M8 socket, 3-pos., view female side

## Sensor/Actuator cable - SAC-3P-M12MR/10,0-PUR/M 8FS - 1544905

Cable cross section



PUR halogen-free black [PUR]

© Phoenix Contact 2014 - all rights reserved  
<http://www.phoenixcontact.com>