

# Sensor/Actuator cable - SAC-4P- 5,0-PUR/FS SCO - 1536308

Please be informed that the data shown in this PDF Document is generated from our Online Catalog. Please find the complete data in the user's documentation. Our General Terms of Use for Downloads are valid (<http://download.phoenixcontact.com>)



Sensor/Actuator cable, 4-position, PUR halogen-free, black-gray RAL 7021, free cable end, on Socket straight M12 SPEEDCON, A-coded, Cable length: 5 m

## Product Features

- Easy and safe: 100% electrically tested plug-in components
- Save time, thanks to installation with SPEEDCON fast locking system
- Our standard: robust halogen-free PUR cable



## Key commercial data

package_quantity	1
GTIN	4046356093651

## Technical data

### Dimensions

Length of cable	5 m
Stripping length of the free conductor end	50 mm

### Ambient conditions

Ambient temperature (operation)	-25 °C ... 90 °C (Plug / socket)
Degree of protection	IP65
Degree of protection	IP67
Degree of protection	IP68

### General

Rated current at 40°C	4 A
Rated voltage	250 V
Number of positions	4
Contact resistance	≤ 5 mΩ
Insulation resistance	≥ 100 MΩ
Coding	A - standard
Standards/regulations	M12 connector IEC 61076-2-101
Status display	No
Protective circuit/component	Unwired
Surge voltage category	II

## Sensor/Actuator cable - SAC-4P- 5,0-PUR/FS SCO - 1536308

### Technical data

#### General

<b>Pollution degree</b>	3
<b>Insertion/withdrawal cycles</b>	≥ 100
<b>Torque</b>	0.4 Nm (M12 connector)

#### Material

<b>Inflammability class according to UL 94</b>	HB
<b>Contact material</b>	CuSn
<b>Contact surface material</b>	Ni/Au
<b>Contact carrier material</b>	TPU GF
<b>Material of grip body</b>	TPU, hardly inflammable, self-extinguishing
<b>Material, knurls</b>	Zinc die-cast, nickel-plated
<b>Sealing material</b>	NBR

#### Cable

<b>Cable type</b>	PUR halogen-free black
<b>Cable type (abbreviation)</b>	PUR
<b>Cable abbreviation</b>	Li9Y11Y-HF
<b>UL AWM style</b>	20549 / 10493 (80°C/300 V)
<b>Conductor cross section</b>	4x 0.34 mm <sup>2</sup>
<b>AWG signal line</b>	22
<b>Conductor structure signal line</b>	42x 0.10 mm
<b>Core diameter including insulation</b>	1.27 mm ±0.02 mm
<b>Thickness, insulation</b>	≥ 0.21 mm
<b>Wire colors</b>	brown, white, blue, black
<b>Overall twist</b>	4 wires, twisted
<b>External sheath, color</b>	black-gray RAL 7021
<b>Outer sheath thickness</b>	approx. 0.8 mm
<b>External cable diameter D</b>	4.7 mm ±0.15 mm
<b>Minimum bending radius, fixed installation</b>	5 x D
<b>Minimum bending radius, flexible installation</b>	10 x D
<b>Number of bending cycles</b>	4000000
<b>Minimum bending radius, drag chain applications</b>	10 x D
<b>Traversing path</b>	10 m
<b>Traversing rate</b>	3 m/s
<b>Acceleration</b>	10 m/s <sup>2</sup>
<b>Cable weight</b>	30 kg/km
<b>Outer sheath, material</b>	PUR
<b>Material conductor insulation</b>	PP
<b>Conductor material</b>	Bare Cu litz wires
<b>Insulation resistance</b>	≥ 1 GΩ*km
<b>Conductor resistance</b>	≤ 58 Ω/km
<b>Nominal voltage, cable</b>	≤ 300 V

## Sensor/Actuator cable - SAC-4P- 5,0-PUR/FS SCO - 1536308

### Technical data

#### Cable

<b>Test voltage, cable</b>	≥ 3000 V
<b>Special properties</b>	Flexible cable conduit capable
<b>Special properties</b>	Silicone-free
<b>Special properties</b>	Free of substances which would hinder coating with paint or varnish
<b>Special properties</b>	Flexible
<b>Flame resistance</b>	in accordance with DIN UL-Style 20549
<b>Flame resistance</b>	in accordance with FT1 as per UL 758
<b>Halogen-free</b>	in accordance with DIN VDE 0472 part 815
<b>Halogen-free</b>	in accordance with DIN EN 50267-2-1
<b>Resistance to oil</b>	in accordance with DIN EN 60811-2-1
<b>Other resistance</b>	Highly resistant to acids, alkaline solutions and solvents
<b>Other resistance</b>	hydrolysis and microbe resistant
<b>Other resistance</b>	partly UV-resistant in accordance with DIN EN ISO 4892-2-A
<b>Other resistance</b>	Low adhesion
<b>Other resistance</b>	abrasion-resistant
<b>Ambient temperature (operation)</b>	-40 °C ... 80 °C (cable, fixed installation)
<b>Ambient temperature (operation)</b>	-25 °C ... 80 °C (cable, flexible installation)

### classifications

#### eCl@ss

<b>eCl@ss 4.0</b>	27060306
<b>eCl@ss 4.1</b>	27060306
<b>eCl@ss 5.0</b>	27061801
<b>eCl@ss 5.1</b>	27061801
<b>eCl@ss 6.0</b>	27061801
<b>eCl@ss 7.0</b>	27061801
<b>eCl@ss 8.0</b>	27061801

#### ETIM

<b>ETIM 3.0</b>	EC001855
<b>ETIM 4.0</b>	EC001855
<b>ETIM 5.0</b>	EC001855

#### UNSPSC

<b>UNSPSC 6.01</b>	31251501
<b>UNSPSC 7.0901</b>	31251501
<b>UNSPSC 11</b>	31251501
<b>UNSPSC 12.01</b>	31251501
<b>UNSPSC 13.2</b>	31251501

# Sensor/Actuator cable - SAC-4P- 5,0-PUR/FS SCO - 1536308

## approvals

UL Listed / cUL Listed / GOST / cULus Listed /

### Approval details

<b>UL Listed</b>	
Nominal voltage UN	300 V
Nominal current IN	4 A
mm <sup>2</sup> /AWG/kcmil	

<b>cUL Listed</b>	
Nominal voltage UN	300 V
Nominal current IN	4 A
mm <sup>2</sup> /AWG/kcmil	

<b>GOST</b>
-------------

<b>cULus Listed</b>
---------------------

## accessories

### Conductor marking

PABA WH/15 - 1013151



## Sensor/Actuator cable - SAC-4P- 5,0-PUR/FS SCO - 1536308

### accessories

PABA YE/15 - 1013698



PABA RD/15 - 1013944



### Marker carrier cable

PATG 2/15 - 1013038



PATG 3/15 - 1013041



PATG 4/15 - 1013054



### Marker pen

## Sensor/Actuator cable - SAC-4P- 5,0-PUR/FS SCO - 1536308

### accessories

B-STIFT - 1051993



---

### Cutting tools

CUTFOX-S VDE - 1212207



---

### Stripping tool

WIREFOX SAC-1 - 1212757



WIREFOX SAC - 1212623



WIREFOX 10 - 1212150



---

### Protective cap

## Sensor/Actuator cable - SAC-4P- 5,0-PUR/FS SCO - 1536308

accessories

PROT-M12 MS-PA-CHAIN - 1430899



---

### Safety locking

SAC-M12-EXCLIP-F - 1558991



---

### Torque tool

TSD 04 SAC - 1208429



TSD-M 1,2NM - 1212224



---

### Screwdriver tools

TSD-M SAC-BIT ADAPTER - 1212600



# Sensor/Actuator cable - SAC-4P- 5,0-PUR/FS SCO - 1536308

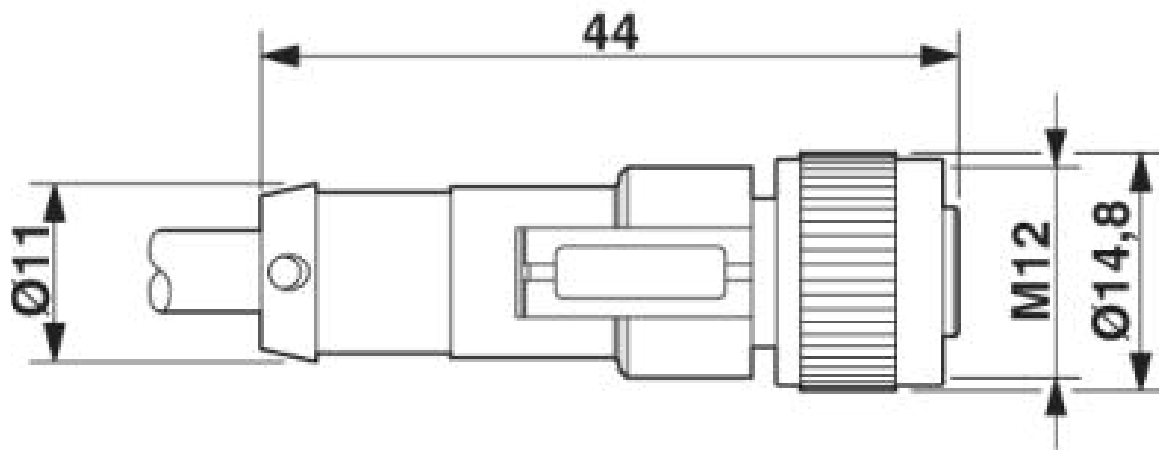
accessories

SAC BIT M12-D15 - 1208432



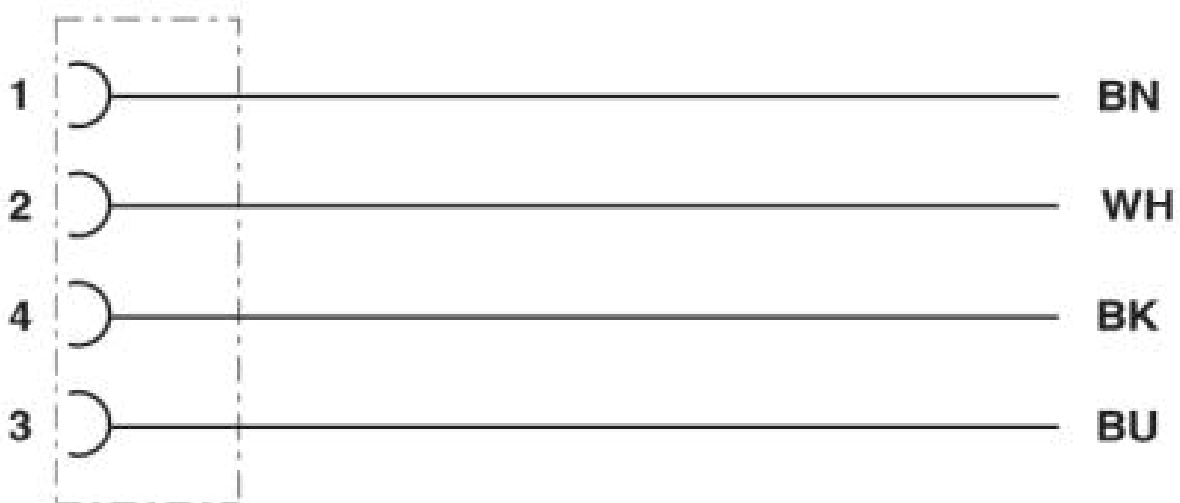
## Drawings

Dimensioned drawing



M12 x 1 socket, straight

Circuit diagram

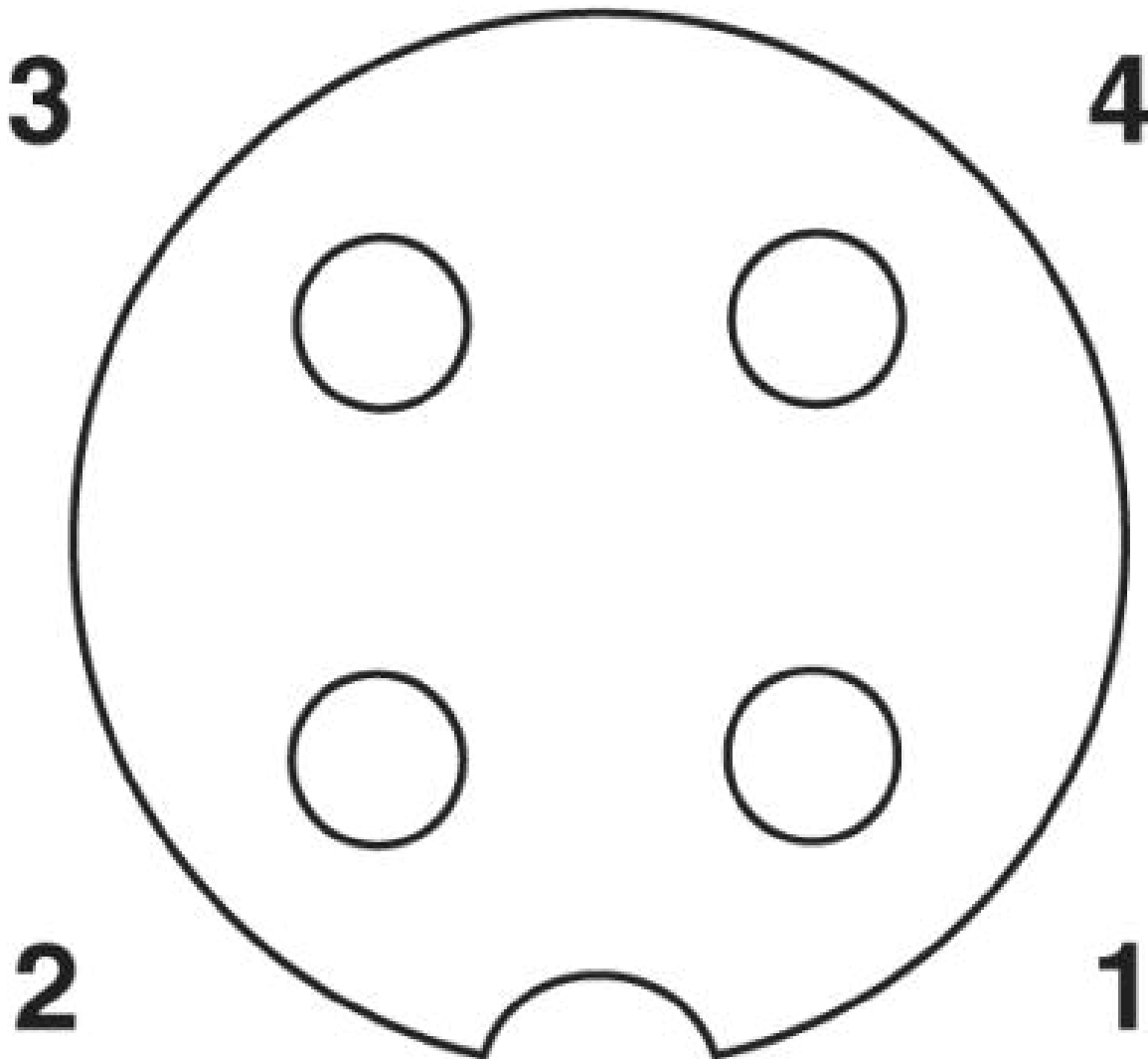


Contact assignment of the M12 socket



## Sensor/Actuator cable - SAC-4P- 5,0-PUR/FS SCO - 1536308

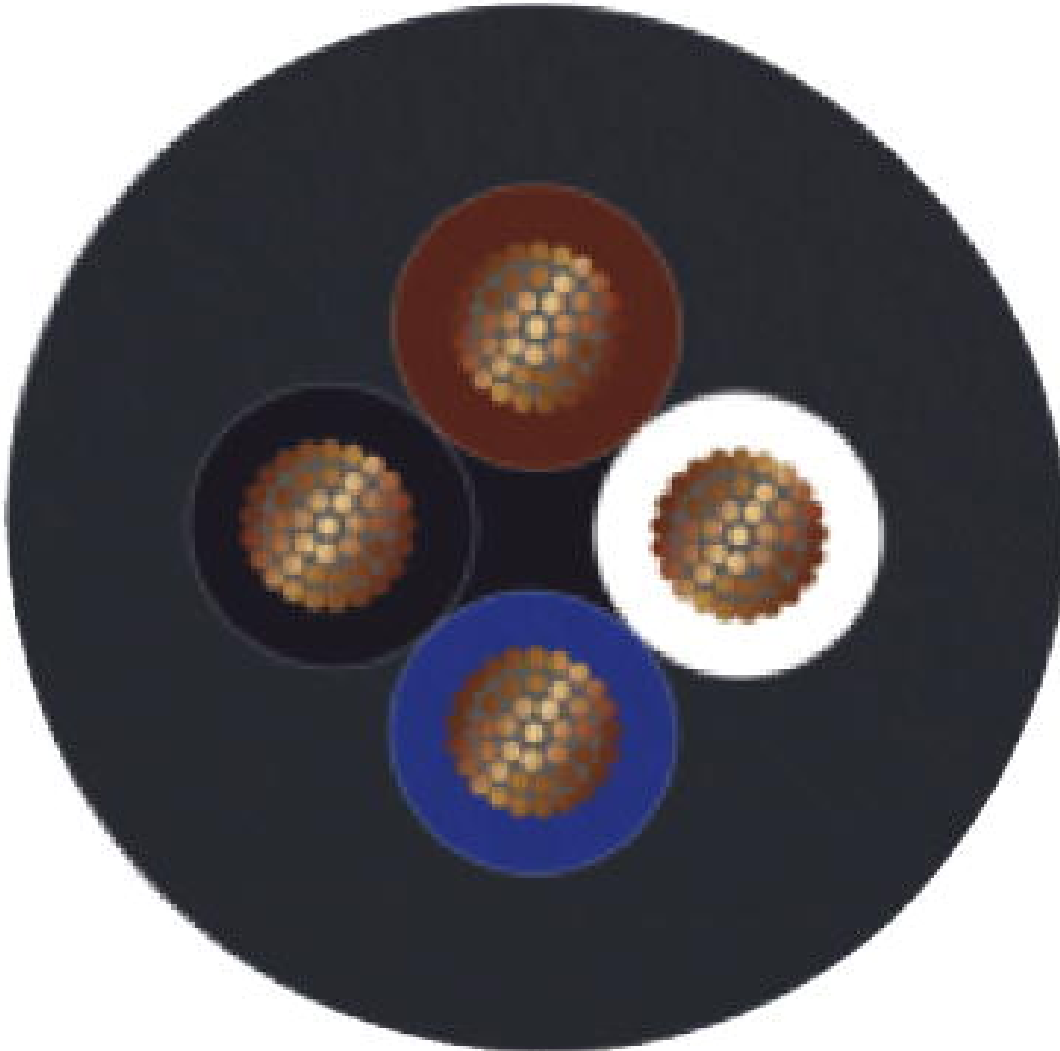
Schematic diagram



Pin assignment M12 socket, 4-pos., A-coded, view female side

## Sensor/Actuator cable - SAC-4P- 5,0-PUR/FS SCO - 1536308

Cable cross section



PUR halogen-free black [PUR]

© Phoenix Contact 2014 - all rights reserved  
<http://www.phoenixcontact.com>