

Sensor/Actuator cable - SAC-4P-MR/ 1,5-PUR/FS SCO - 1518944

Please be informed that the data shown in this PDF Document is generated from our Online Catalog. Please find the complete data in the user's documentation. Our General Terms of Use for Downloads are valid (<http://download.phoenixcontact.com>)



Sensor/Actuator cable, 4-position, PUR halogen-free, black-gray RAL 7021, Plug angled M12 SPEEDCON, A-coded, on Socket straight M12 SPEEDCON, A-coded, Cable length: 1.5 m

Product Features

- Easy and safe: 100% electrically tested plug-in components
- Save time, thanks to installation with SPEEDCON fast locking system
- Our standard: robust halogen-free PUR cable



Key commercial data

| | |
|------------------|---------------|
| package_quantity | 1 |
| GTIN | 4017918961329 |

Technical data

Dimensions

| | |
|-----------------|-------|
| Length of cable | 1.5 m |
|-----------------|-------|

Ambient conditions

| | |
|---------------------------------|----------------------------------|
| Ambient temperature (operation) | -25 °C ... 90 °C (Plug / socket) |
| Degree of protection | IP65 |
| Degree of protection | IP67 |
| Degree of protection | IP68 |

General

| | |
|------------------------------|-------------------------------|
| Rated current at 40°C | 4 A |
| Rated voltage | 250 V |
| Number of positions | 4 |
| Contact resistance | ≤ 5 mΩ |
| Insulation resistance | ≥ 10 MΩ |
| Coding | A - standard |
| Standards/regulations | M12 connector IEC 61076-2-101 |
| Status display | No |
| Protective circuit/component | Unwired |
| Surge voltage category | II |
| Pollution degree | 3 |

Sensor/Actuator cable - SAC-4P-MR/ 1,5-PUR/FS SCO - 1518944

Technical data

General

| | |
|-----------------------------|------------------------|
| Insertion/withdrawal cycles | ≥ 100 |
| Torque | 0.4 Nm (M12 connector) |

Material

| | |
|---|---|
| Inflammability class according to UL 94 | HB |
| Contact material | CuSn |
| Contact surface material | Ni/Au |
| Contact carrier material | TPU GF |
| Material of grip body | TPU, hardly inflammable, self-extinguishing |
| Material, knurls | Zinc die-cast, nickel-plated |
| Sealing material | NBR |

Cable

| | |
|---|----------------------------|
| Cable type | PUR halogen-free black |
| Cable type (abbreviation) | PUR |
| Cable abbreviation | Li9Y11Y-HF |
| UL AWM style | 20549 / 10493 (80°C/300 V) |
| Conductor cross section | 4x 0.34 mm ² |
| AWG signal line | 22 |
| Conductor structure signal line | 42x 0.10 mm |
| Core diameter including insulation | 1.27 mm ±0.02 mm |
| Thickness, insulation | ≥ 0.21 mm |
| Wire colors | brown, white, blue, black |
| Overall twist | 4 wires, twisted |
| External sheath, color | black-gray RAL 7021 |
| Outer sheath thickness | approx. 0.8 mm |
| External cable diameter D | 4.7 mm ±0.15 mm |
| Minimum bending radius, fixed installation | 5 x D |
| Minimum bending radius, flexible installation | 10 x D |
| Number of bending cycles | 4000000 |
| Minimum bending radius, drag chain applications | 10 x D |
| Traversing path | 10 m |
| Traversing rate | 3 m/s |
| Acceleration | 10 m/s ² |
| Cable weight | 30 kg/km |
| Outer sheath, material | PUR |
| Material conductor insulation | PP |
| Conductor material | Bare Cu litz wires |
| Insulation resistance | ≥ 1 GΩ*km |
| Conductor resistance | ≤ 58 Ω/km |
| Nominal voltage, cable | ≤ 300 V |
| Test voltage, cable | ≥ 3000 V |

Sensor/Actuator cable - SAC-4P-MR/ 1,5-PUR/FS SCO - 1518944

Technical data

Cable

| | |
|--|---|
| Special properties | Flexible cable conduit capable |
| Special properties | Silicone-free |
| Special properties | Free of substances which would hinder coating with paint or varnish |
| Special properties | Flexible |
| Flame resistance | in accordance with DIN UL-Style 20549 |
| Flame resistance | in accordance with FT1 as per UL 758 |
| Halogen-free | in accordance with DIN VDE 0472 part 815 |
| Halogen-free | in accordance with DIN EN 50267-2-1 |
| Resistance to oil | in accordance with DIN EN 60811-2-1 |
| Other resistance | Highly resistant to acids, alkaline solutions and solvents |
| Other resistance | hydrolysis and microbe resistant |
| Other resistance | partly UV-resistant in accordance with DIN EN ISO 4892-2-A |
| Other resistance | Low adhesion |
| Other resistance | abrasion-resistant |
| Ambient temperature (operation) | -40 °C ... 80 °C (cable, fixed installation) |
| Ambient temperature (operation) | -25 °C ... 80 °C (cable, flexible installation) |

classifications

eCl@ss

| | |
|-------------------|----------|
| eCl@ss 4.0 | 27060306 |
| eCl@ss 4.1 | 27060306 |
| eCl@ss 5.0 | 27061801 |
| eCl@ss 5.1 | 27061801 |
| eCl@ss 6.0 | 27061801 |
| eCl@ss 7.0 | 27061801 |
| eCl@ss 8.0 | 27061801 |

ETIM

| | |
|-----------------|----------|
| ETIM 2.0 | EC000830 |
| ETIM 3.0 | EC001855 |
| ETIM 4.0 | EC001855 |
| ETIM 5.0 | EC001855 |

UNSPSC

| | |
|----------------------|----------|
| UNSPSC 6.01 | 31251501 |
| UNSPSC 7.0901 | 31251501 |
| UNSPSC 11 | 31251501 |
| UNSPSC 12.01 | 31251501 |
| UNSPSC 13.2 | 31251501 |

Sensor/Actuator cable - SAC-4P-MR/ 1,5-PUR/FS SCO - 1518944

approvals

UL Listed / cUL Listed / GOST / cULus Listed /

Approval details

| | |
|----------------------------|-------|
| UL Listed | |
| Nominal voltage UN | 300 V |
| Nominal current IN | 4 A |
| mm ² /AWG/kcmil | |

| | |
|----------------------------|-------|
| cUL Listed | |
| Nominal voltage UN | 300 V |
| Nominal current IN | 4 A |
| mm ² /AWG/kcmil | |

| | |
|-------------|--|
| GOST | |
|-------------|--|

| | |
|---------------------|--|
| cULus Listed | |
|---------------------|--|

accessories

Protective cap

PROT-M12 FS-PA-CHAIN - 1430873



Sensor/Actuator cable - SAC-4P-MR/ 1,5-PUR/FS SCO - 1518944

accessories

PROT-M12 MS-PA-CHAIN - 1430899



Safety locking

SAC-M12-EXCLIP-M - 1558988



SAC-M12-EXCLIP-F - 1558991



Conductor marking

PABA WH/15 - 1013151



PABA YE/15 - 1013698



Sensor/Actuator cable - SAC-4P-MR/ 1,5-PUR/FS SCO - 1518944

accessories

PABA RD/15 - 1013944



Marker carrier cable

PATO 2/15 - 1013122



PATO 3/15 - 1013135



PATO 4/15 - 1013148



Marker pen

B-STIFT - 1051993



Torque tool

Sensor/Actuator cable - SAC-4P-MR/ 1,5-PUR/FS SCO - 1518944 accessories

TSD 04 SAC - 1208429



TSD-M 1,2NM - 1212224



Screwdriver tools

TSD-M SAC-BIT ADAPTER - 1212600



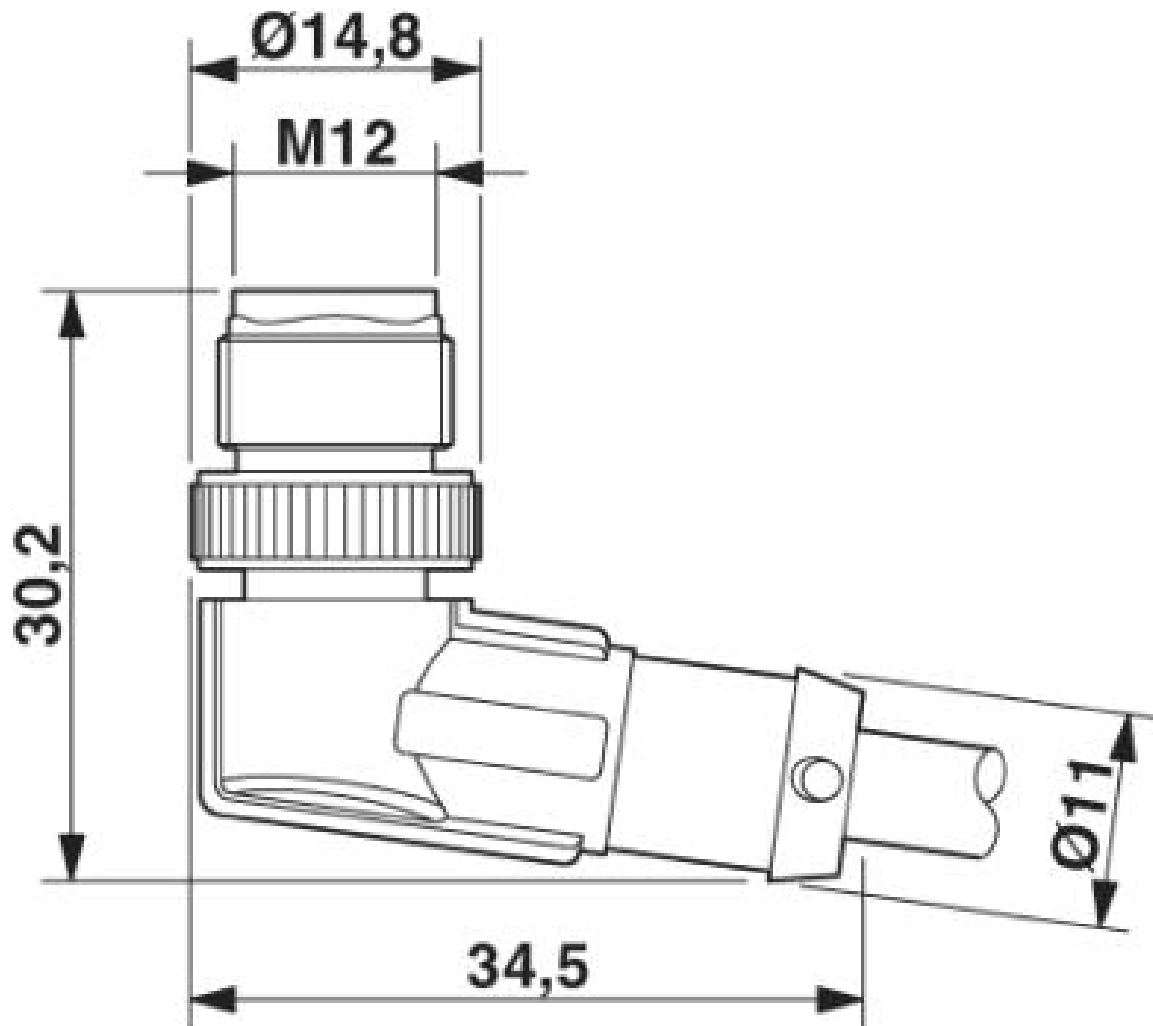
SAC BIT M12-D15 - 1208432



Drawings

Sensor/Actuator cable - SAC-4P-MR/ 1,5-PUR/FS SCO - 1518944

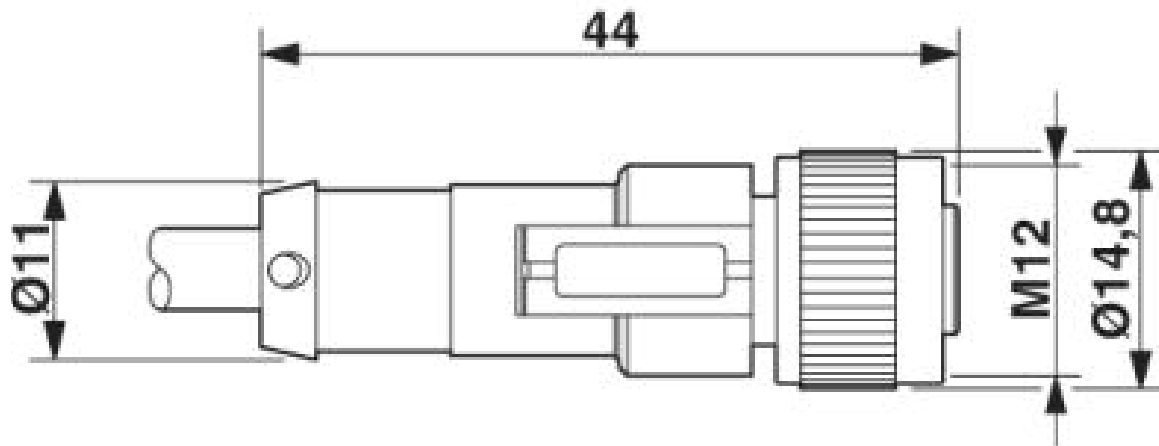
Dimensioned drawing



M12 x 1 male plug, angled

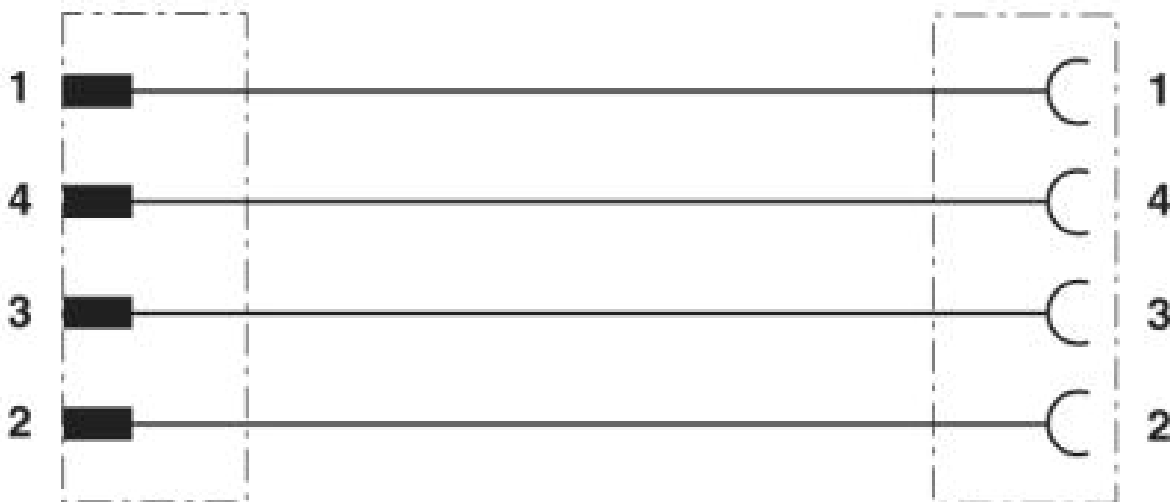
Sensor/Actuator cable - SAC-4P-MR/ 1,5-PUR/FS SCO - 1518944

Dimensioned drawing



M12 x 1 socket, straight

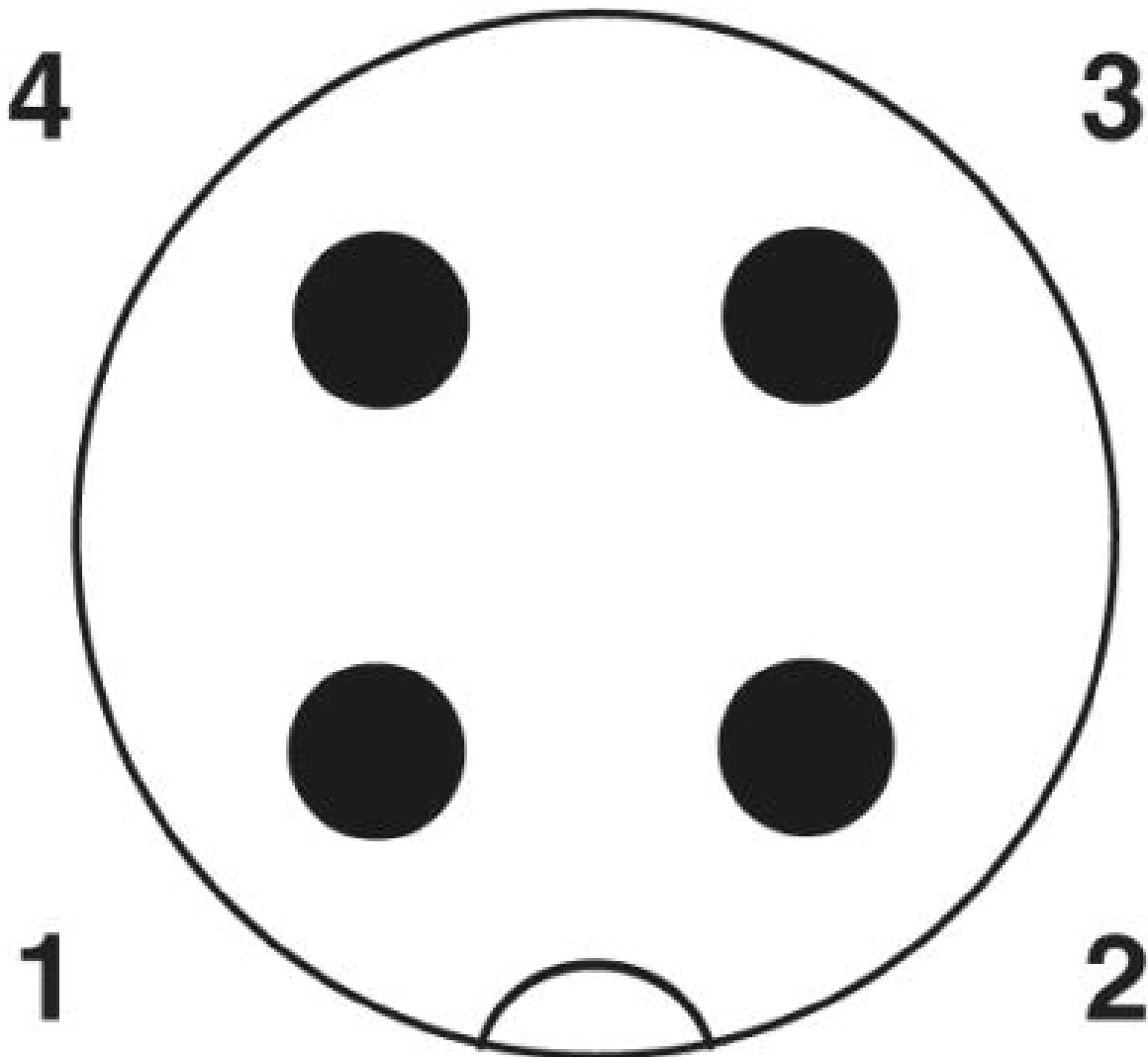
Circuit diagram



Contact assignment of the M12 plug and the M12 socket

Sensor/Actuator cable - SAC-4P-MR/ 1,5-PUR/FS SCO - 1518944

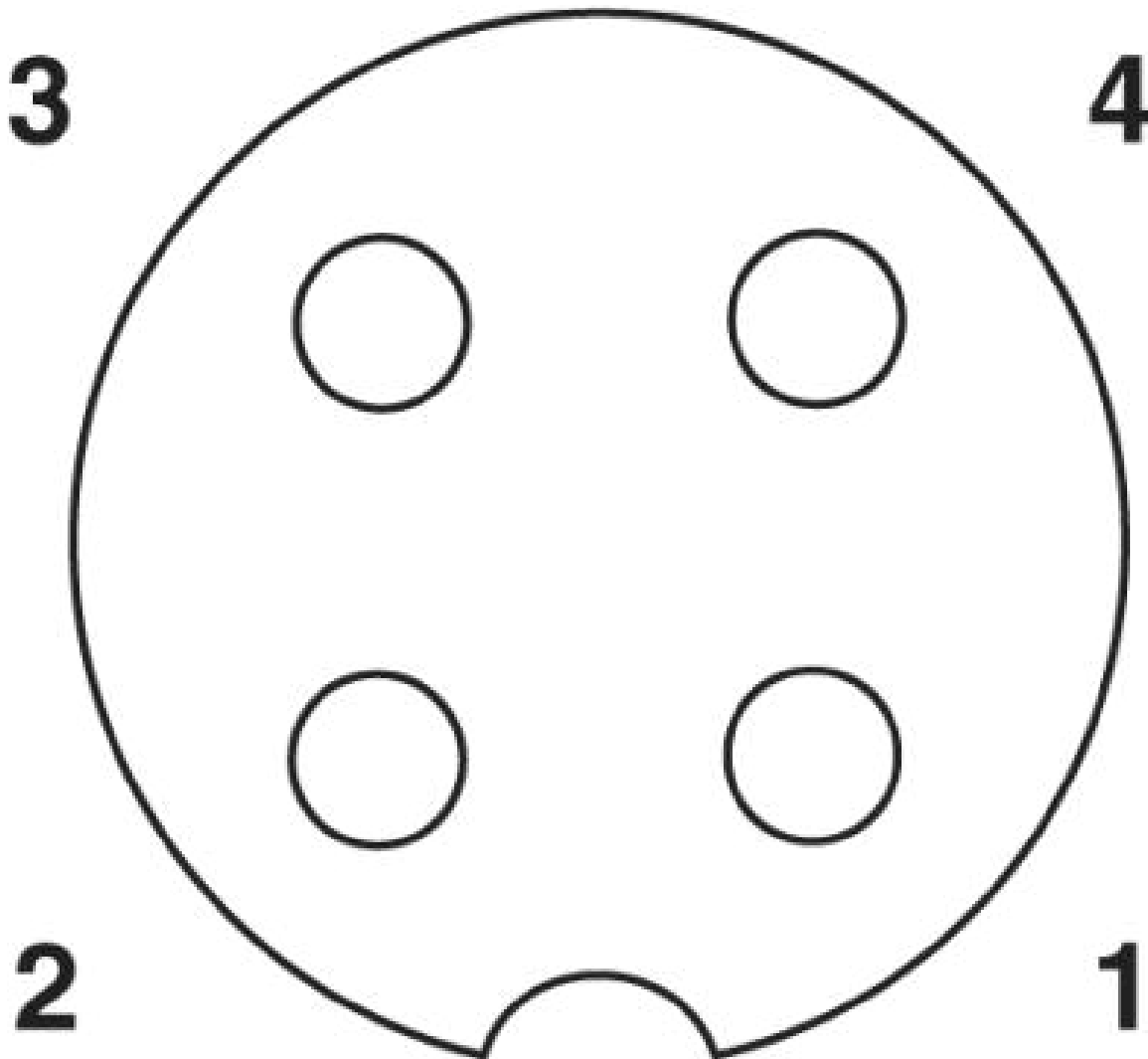
Schematic diagram



Pin assignment M12 plug, 4-pos., A-coded, view plug side

Sensor/Actuator cable - SAC-4P-MR/ 1,5-PUR/FS SCO - 1518944

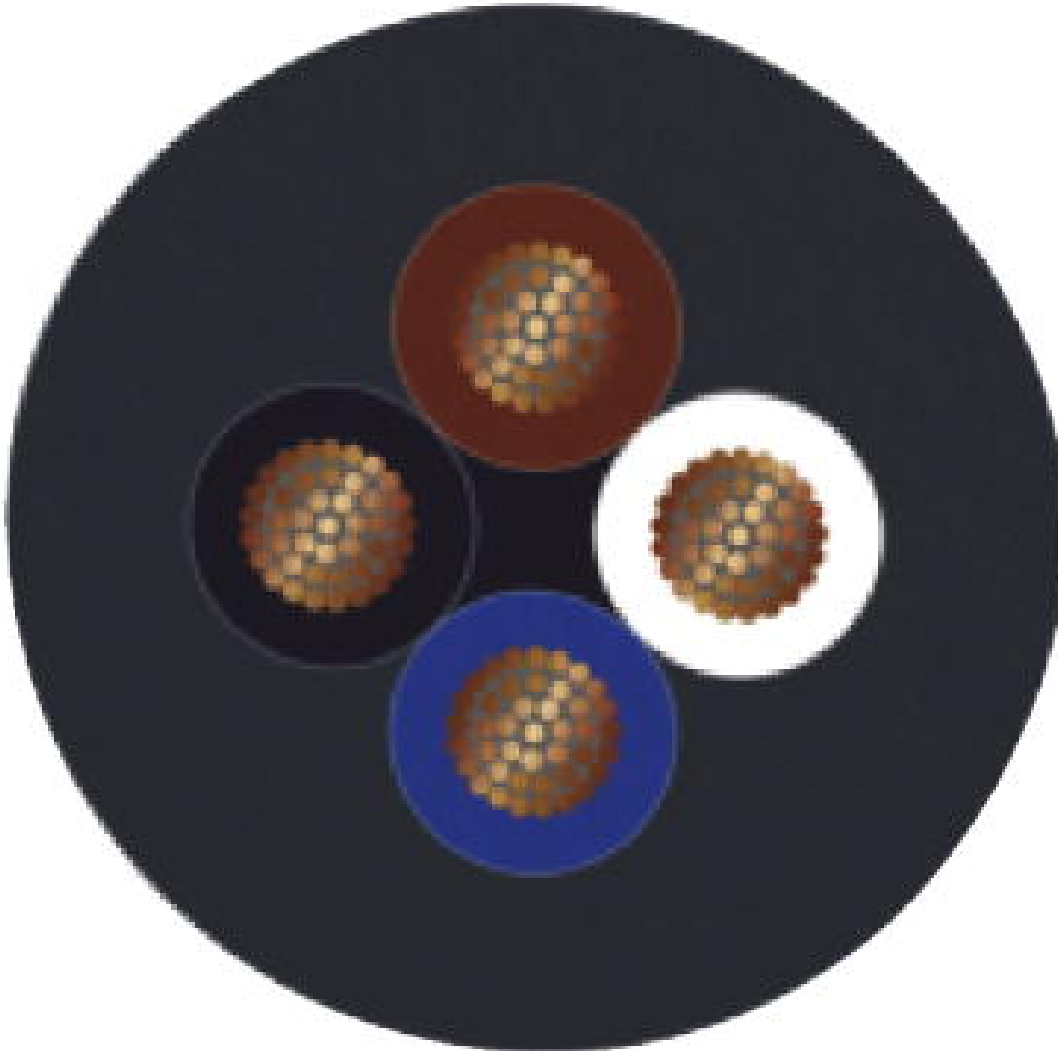
Schematic diagram



Pin assignment M12 socket, 4-pos., A-coded, view female side

Sensor/Actuator cable - SAC-4P-MR/ 1,5-PUR/FS SCO - 1518944

Cable cross section



PUR halogen-free black [PUR]

© Phoenix Contact 2014 - all rights reserved
<http://www.phoenixcontact.com>