

# Bus system cable - VS-PNRJ45-PNRJ45-93G-2,0 - 1402507

Please be informed that the data shown in this PDF Document is generated from our Online Catalog. Please find the complete data in the user's documentation. Our General Terms of Use for Downloads are valid (<http://download.phoenixcontact.com>)



EtherCAT patch cable, shielded, star quad, AWG 22 stranded (7-wire), green, RJ45 plug/IP20, straight, to RJ45 plug/IP20, straight, length: 2.0 m

EtherCAT® patch cable



## Key commercial data

<b>package_quantity</b>	1
<b>GTIN</b>	4046356622264

## Technical data

### Dimensions

<b>Length of cable</b>	2 m
------------------------	-----

### Ambient conditions

<b>Degree of protection</b>	IP20
-----------------------------	------

### General data

<b>Number of positions</b>	4
<b>Signal type/category</b>	EtherCAT®

### Characteristics head 1

<b>Head type</b>	Plug Straight RJ45 / IP20
<b>No. of positions (pin connector pattern)</b>	4 (8)
<b>Color</b>	black
<b>Material (component)</b>	CuSn (Contact)
<b>Material (component)</b>	Ni/Au (Contact surface)
<b>Material (component)</b>	PA (Contact carriers)
<b>Material (component)</b>	PA (Housing)
<b>Insertion/withdrawal cycles</b>	≥ 750
<b>Ambient temperature (operation)</b>	-25 °C ... 80 °C

### Characteristics head 2

<b>Head type</b>	Plug Straight RJ45 / IP20
<b>No. of positions (pin connector pattern)</b>	4 (8)
<b>Color</b>	black
<b>Material (component)</b>	CuSn (Contact)

# Bus system cable - VS-PNRJ45-PNRJ45-93G-2,0 - 1402507

## Technical data

### Characteristics head 2

Material (component)	Ni/Au (Contact surface)
Material (component)	PA (Contact carriers)
Material (component)	PA (Housing)
Insertion/withdrawal cycles	≥ 750
Ambient temperature (operation)	-25 °C ... 80 °C

### Cable

Cable type	PROFINET PVC stranded CAT5e
Cable type (abbreviation)	93B
UL AWM style	21694
Signal type/category	PROFINET CAT5 (IEC 11801), 100 Mbps
Signal type/category	PROFINET CAT5e (TIA 568B), 100 bps
Cable structure	1x4xAWG22/7; SF/TQ
Conductor cross section	4x 0.34 mm <sup>2</sup>
AWG signal line	22
Conductor structure signal line	7x 0.25 mm
Core diameter including insulation	1.55 mm
Wire colors	White, yellow, blue, orange
Overall twist	Star quad
Shielding	Aluminum-coated foil, tinned copper braided shield
Optical shield covering	85 %
External sheath, color	Green RAL 6018
Outer sheath thickness	approx. 0.9 mm
External cable diameter D	6.5 mm ±0.2 mm
Minimum bending radius, fixed installation	3 x D
Minimum bending radius, flexible installation	7 x D
Cable weight	67 kg/km
Outer sheath, material	PVC
Material, inner sheath	PVC
Material conductor insulation	PE
Conductor material	Tin-plated Cu litz wires
Insulation resistance	≥ 500 MΩ*km
Conductor resistance	≤ 120 Ω/km
Wave impedance	100 Ω ±15 Ω (at 100 MHz)
Signal runtime	5.3 ns/m
Coupling resistance	≤ 20.00 mΩ/m (At 10 MHz)
Nominal voltage, cable	600 V
Test voltage Core/Core	2000 V (50 Hz, 1 min.)
Test voltage Core/Shield	2000 V (50 Hz, 1 min.)
Flame resistance	According to UL 1685 (CSA FT 4)
Resistance to oil	Resistant to oil to a limited extent
Other resistance	UV resistant According to UL 1581, Section 1200

# Bus system cable - VS-PNRJ45-PNRJ45-93G-2,0 - 1402507

## Technical data

### Cable

Ambient temperature (operation)	-40 °C ... 70 °C (cable, fixed installation)
Ambient temperature (operation)	-40 °C ... 70 °C (cable, flexible installation)
Ambient temperature (installation)	-20 °C ... 60 °C
Ambient temperature (storage/transport)	-50 °C ... 70 °C

## classifications

### eCl@ss

eCl@ss 4.0	272607xx
eCl@ss 4.1	27260701
eCl@ss 5.0	27260701
eCl@ss 5.1	27060307
eCl@ss 6.0	27061801
eCl@ss 7.0	27061801
eCl@ss 8.0	27061801

### ETIM

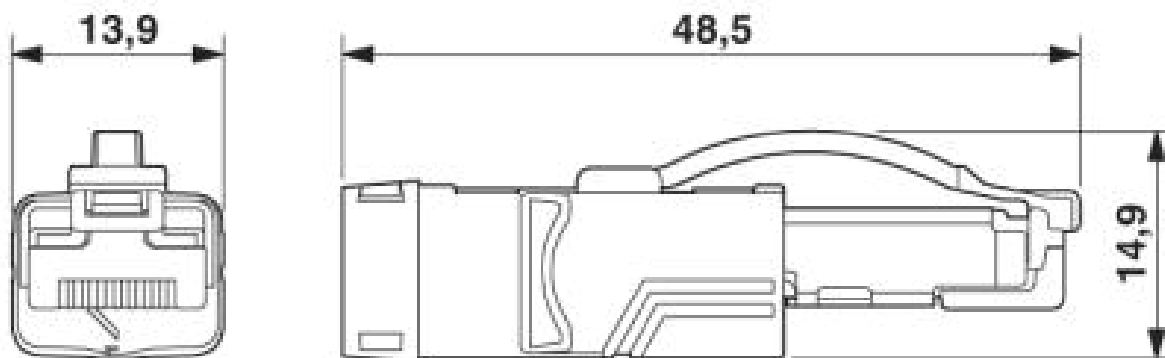
ETIM 4.0	EC002599
ETIM 5.0	EC000830

### UNSPSC

UNSPSC 6.01	26121616
UNSPSC 7.0901	26121616
UNSPSC 11	26121604
UNSPSC 12.01	31261501
UNSPSC 13.2	26121616

## Drawings

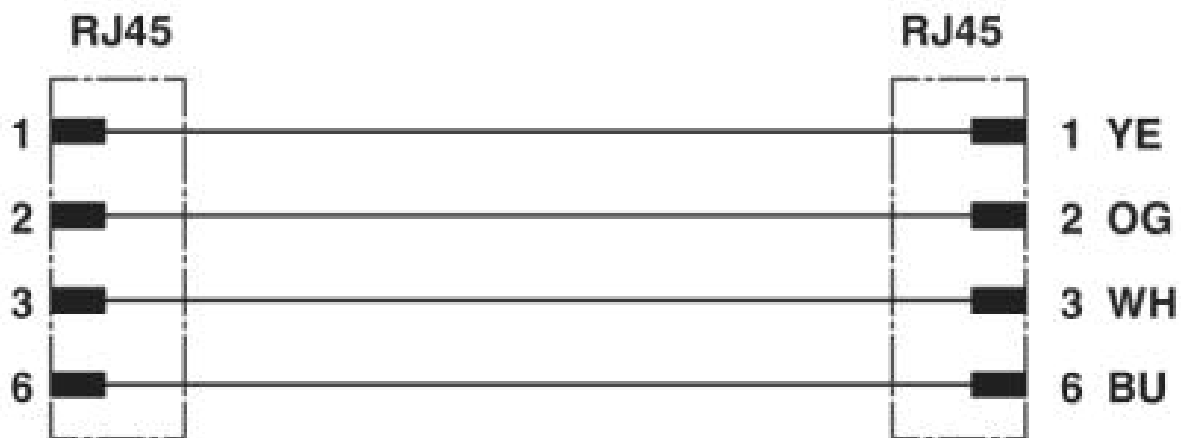
### Dimensioned drawing



RJ45 connector, IP20

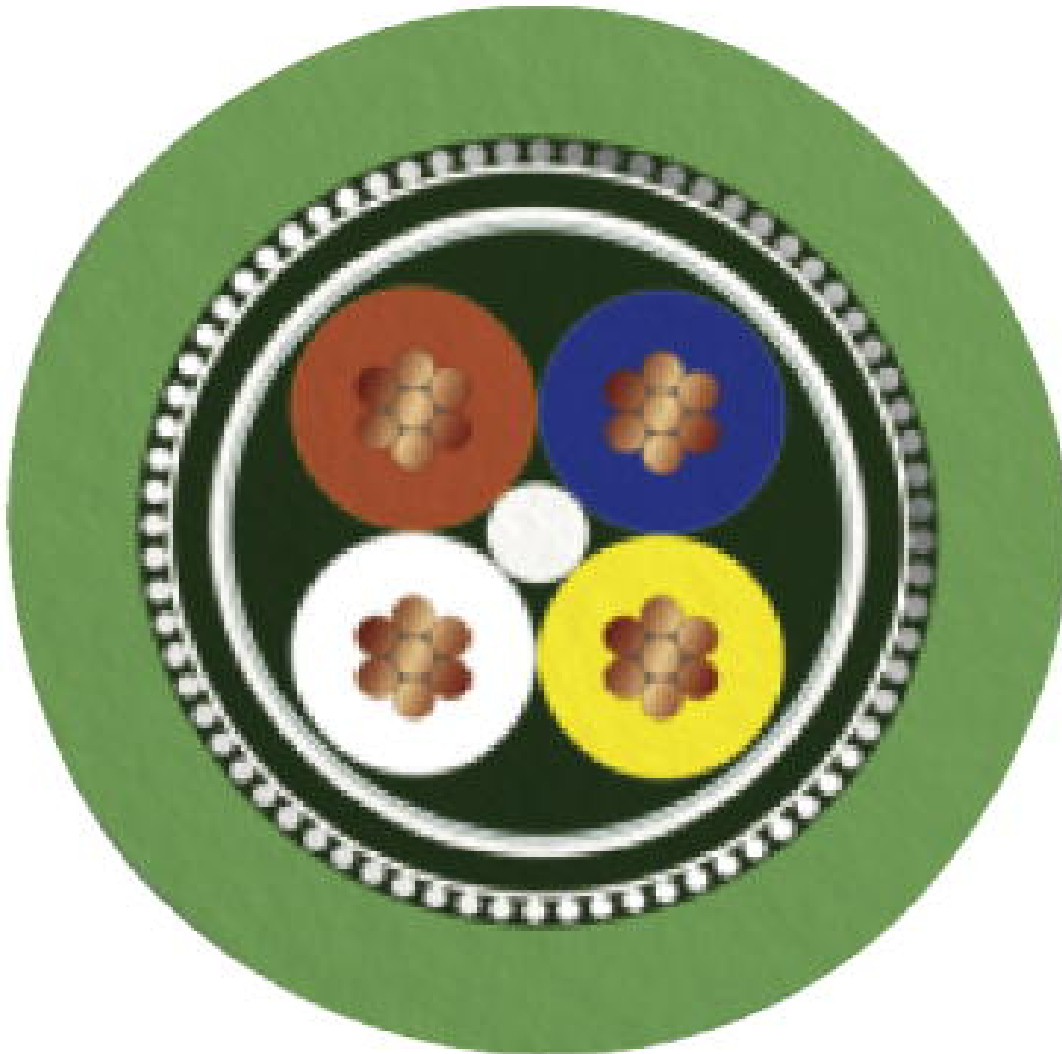
# Bus system cable - VS-PNRJ45-PNRJ45-93G-2,0 - 1402507

Circuit diagram



## Bus system cable - VS-PNRJ45-PNRJ45-93G-2,0 - 1402507

Cable cross section



PROFINET PVC stranded CAT5e [93B]

© Phoenix Contact 2014 - all rights reserved  
<http://www.phoenixcontact.com>