

# Blind sleeve - CES-SRG-BK - 0801670

Please be informed that the data shown in this PDF Document is generated from our Online Catalog. Please find the complete data in the user's documentation. Our General Terms of Use for Downloads are valid (<http://download.phoenixcontact.com>)



Small blind sleeve, material: NBR

## Product Description

Blind sleeves seal feed-through sections that are not required in CES sealing frames

## Key commercial data

<b>package_quantity</b>	10
<b>GTIN</b>	4046356674768

## Technical data

### Dimensions

<b>Conductor sealing range</b>	Blind sleeve
<b>Length</b>	29.5 mm
<b>Width</b>	19.5 mm
<b>Height</b>	17 mm

### Ambient conditions

<b>Degree of protection</b>	IP54 (DIN IEC 60529)
<b>Degree of protection</b>	IP65 (when using a CES-B..SFFS-PLBK sealing frame with screw locking directly on the housing panel and a cable binder)
<b>Ambient temperature (operation)</b>	-40 °C ... 125 °C (static)

### General

<b>Product description</b>	Blind sleeves seal feed-through sections that are not required in CES sealing frames
<b>Material</b>	NBR
<b>Color</b>	black

## classifications

### eCl@ss

<b>eCl@ss 4.0</b>	27081002
<b>eCl@ss 4.1</b>	27081002
<b>eCl@ss 5.0</b>	27081002
<b>eCl@ss 5.1</b>	27081002

# Blind sleeve - CES-SRG-BK - 0801670

## classifications

### eCl@ss

eCl@ss 6.0	27081002
eCl@ss 7.0	27081002
eCl@ss 8.0	27081002

### ETIM

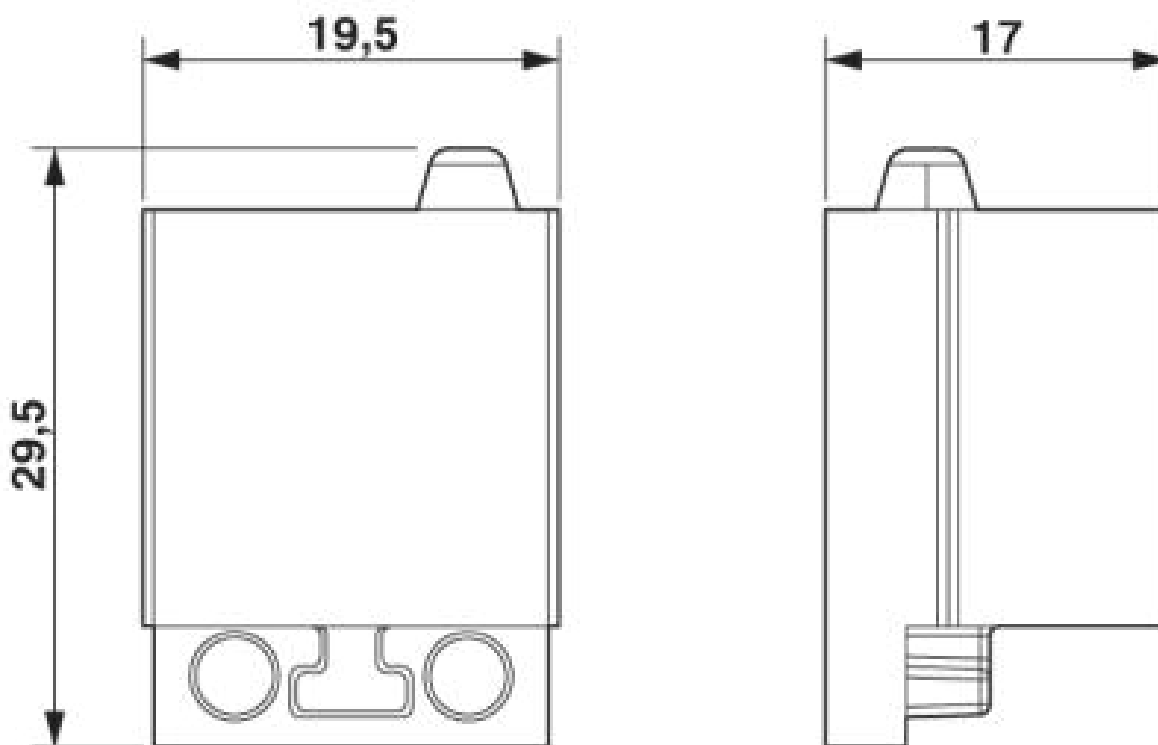
ETIM 3.0	EC000879
ETIM 4.0	EC000451
ETIM 5.0	EC000451

### UNSPSC

UNSPSC 6.01	30212109
UNSPSC 7.0901	39121708
UNSPSC 11	39121708
UNSPSC 12.01	39121708
UNSPSC 13.2	39121708

## Drawings

### Dimensioned drawing



### Dimensional drawing