

# Flat nut - SACC-E-MU-PG9 - 1504084

Please be informed that the data shown in this PDF Document is generated from our Online Catalog. Please find the complete data in the user's documentation. Our General Terms of Use for Downloads are valid (<http://download.phoenixcontact.com>)



Flat nut with Pg9 thread

## Key commercial data

<b>package_quantity</b>	100
<b>GTIN</b>	4017918833480

## Technical data

### General

<b>Mounting type</b>	Pg9
----------------------	-----

### Material

<b>Material, knurls</b>	Nickel-plated brass
-------------------------	---------------------

## classifications

### eCl@ss

<b>eCl@ss 4.0</b>	23110701
<b>eCl@ss 4.1</b>	23110701
<b>eCl@ss 5.0</b>	23110701
<b>eCl@ss 5.1</b>	23110701
<b>eCl@ss 6.0</b>	23110701
<b>eCl@ss 7.0</b>	23110701
<b>eCl@ss 8.0</b>	23110701

### ETIM

<b>ETIM 2.0</b>	EC000129
<b>ETIM 3.0</b>	EC000129
<b>ETIM 4.0</b>	EC000129
<b>ETIM 5.0</b>	EC000129

### UNSPSC

<b>UNSPSC 6.01</b>	31251501
<b>UNSPSC 7.0901</b>	31251501
<b>UNSPSC 11</b>	31251501
<b>UNSPSC 12.01</b>	31251501

# Flat nut - SACC-E-MU-PG9 - 1504084

## classifications

UNSPSC

UNSPSC 13.2	31251501
-------------	----------

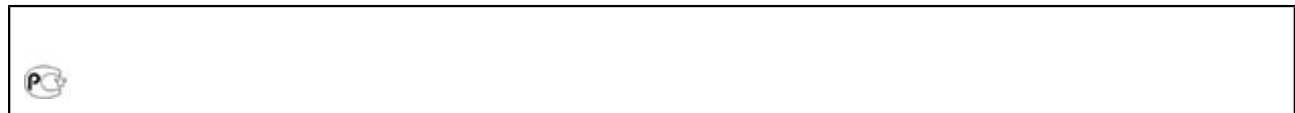
## approvals

---

GOST / GOST /

---

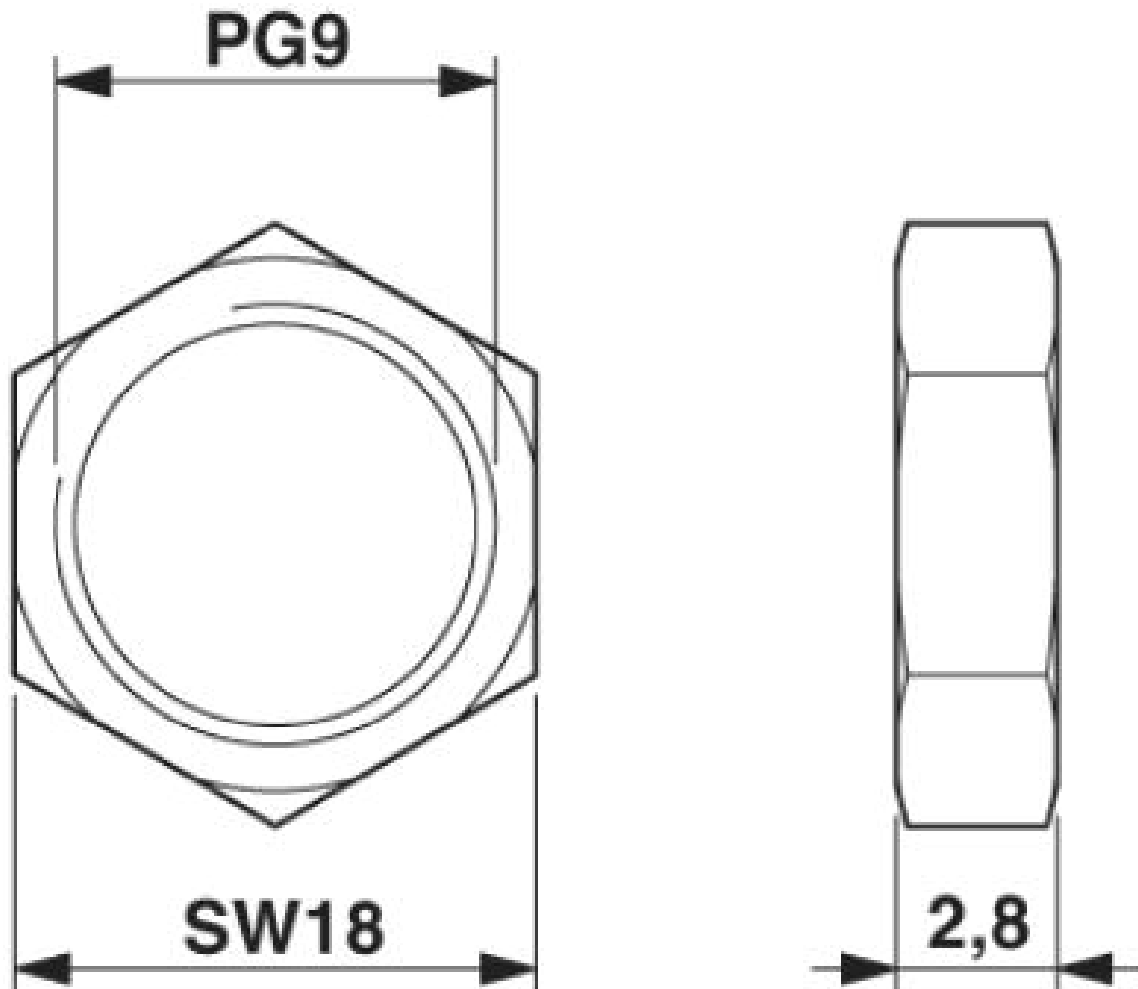
## Approval details



## Drawings

# Flat nut - SACC-E-MU-PG9 - 1504084

Dimensioned drawing



Flat nut Pg9

© Phoenix Contact 2014 - all rights reserved  
<http://www.phoenixcontact.com>