

Flange - SACC-MSQ-M12MS-25-3,2 SCO - 1419959

Please be informed that the data shown in this PDF Document is generated from our Online Catalog. Please find the complete data in the user's documentation. Our General Terms of Use for Downloads are valid (<http://download.phoenixcontact.com>)



Flange housing, 25 mm x 25 mm



Key commercial data

package_quantity	10
GTIN	4046356533607

Technical data

Ambient conditions

Ambient temperature (operation)	-25 °C ... 85 °C (Plug / socket)
---------------------------------	----------------------------------

General

Standards/regulations	M12 connector IEC 61076-2-101
Mounting type	Front mounting, square flange 25 mm side length Square flange

Material

Material, knurls	Zinc die-cast, nickel-plated
Sealing material	NBR

classifications

eCl@ss

eCl@ss 4.0	27250313
eCl@ss 4.1	27250313
eCl@ss 5.0	27143423
eCl@ss 5.1	27143423
eCl@ss 6.0	27143423
eCl@ss 7.0	27449001
eCl@ss 8.0	27449001

ETIM

ETIM 4.0	EC002608
ETIM 5.0	EC002608

Flange - SACC-MSQ-M12MS-25-3,2 SCO - 1419959

classifications

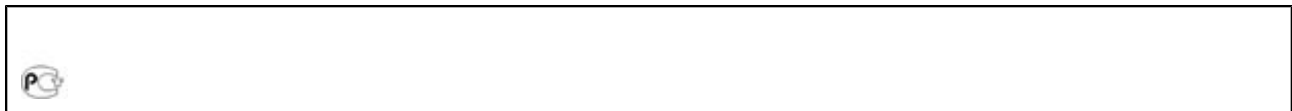
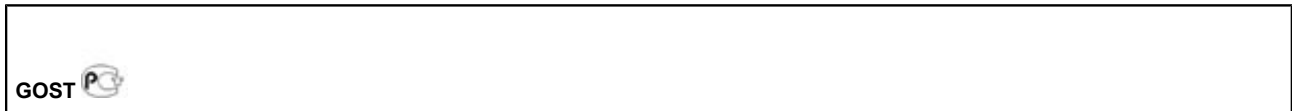
UNSPSC

UNSPSC 6.01	31251501
UNSPSC 7.0901	31251501
UNSPSC 11	31251501
UNSPSC 12.01	31251501
UNSPSC 13.2	31251501

approvals

GOST / GOST /

Approval details



accessories

Contact insert

SACC-MCI-M12MS-4CON/0,5 - 1440805



SACC-MCI-M12MS-5CON/0,5 - 1440818



Flange - SACC-MSQ-M12MS-25-3,2 SCO - 1419959

accessories

SACC-MCI-M12MSB-5CON/0,5 - 1440759



SACC-MCI-M12MS-8CON/0,5 - 1457827



Circular connectors (device side)

SACC-MCI-M12MSD-4CON/0,5 - 1440821



SACC-MCI-M12MS-4CON - 1440931



SACC-MCI-M12MSD-4CON - 1440944



Flange - SACC-MSQ-M12MS-25-3,2 SCO - 1419959

accessories

SACC-MCI-M12MS-5CON - 1419988



SACC-MCI-M12MSB-5CON - 1440915



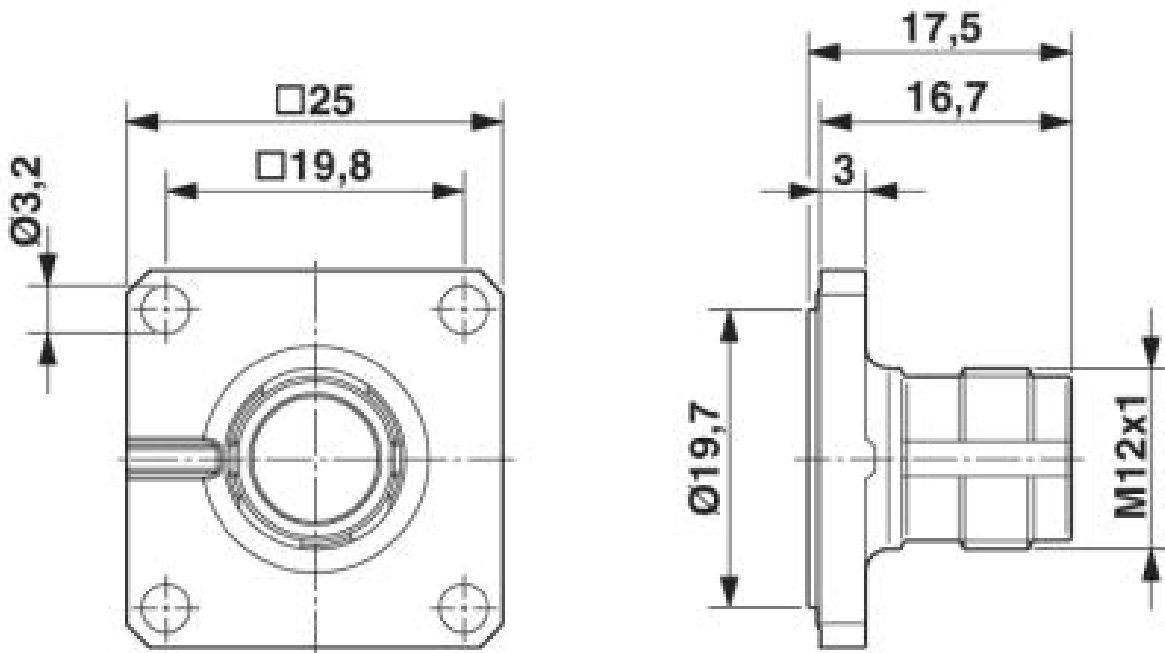
SACC-MCI-M12MS-8CON - 1440928



Drawings

Flange - SACC-MSQ-M12MS-25-3,2 SCO - 1419959

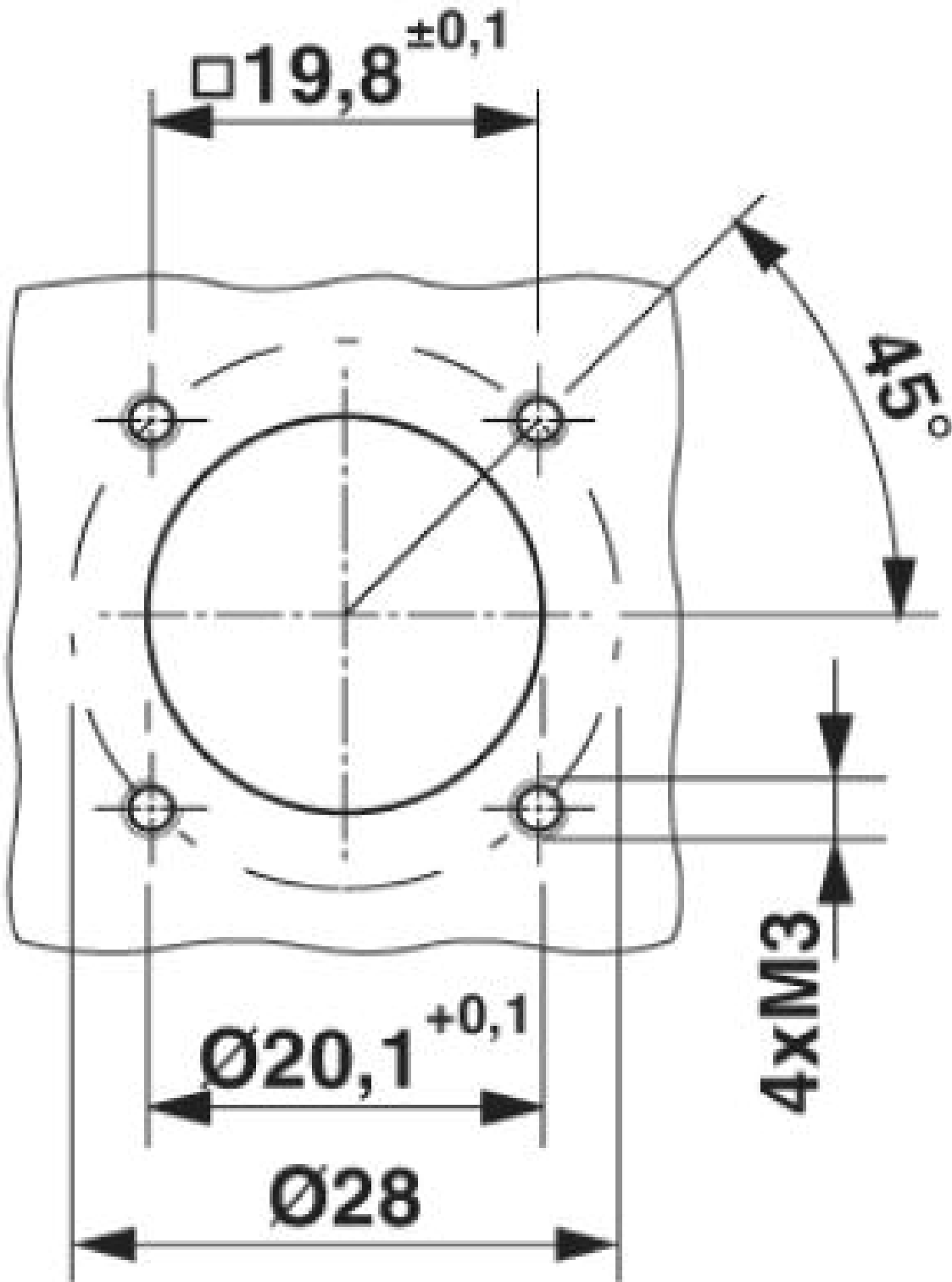
Dimensioned drawing



M12 flush-type plug, square flange

Flange - SACC-MSQ-M12MS-25-3,2 SCO - 1419959

Dimensioned drawing



Installation dimensions

