

3

- Note:**
- Installation connectors are designed for connection and disconnection while not under load.
 - There is no hazard-inducing interchangeability with other systems based on IEC 60309, IEC 60320, IEC 60906 and with national connector and socket systems.
 - Compliance with the standards (IEC 61535) does not guarantee hazard-avoiding, non-interchangeability with installation connector systems from various manufacturers.
 - Installation connector systems are not a substitute for residential connector/socket systems.
 - WINSTA® MIDI connectors are not suitable for easy-to-reach areas, except IP 2XD compliant specialty products (see pages 99 to 101).

3



770 Series

- Linect® T-Connector, 2-Pole
- Linect® T-Connector, 3-Pole
- Linect® T-Connector, 4-Pole
- Linect® T-Connector, 5-Pole

60, 66
60, 84
61, 110
61, 124



770 Series

- Pluggable Connectors, 2-Pole
- Pluggable Connectors, 3-Pole
- Pluggable Connectors, 4-Pole
- Pluggable Connectors, 5-Pole

62 - 63
74 - 75, 80 - 81
102 - 103
114 - 117



770 Series

- Strain Relief Housings, 2-Pole
- Strain Relief Housings, 3-pole
- Strain Relief Housings, 4-Pole
- Strain Relief Housings, 5-pole
- Strain Relief Housings, 6-Pole
- Strain Relief Housings, 7-Pole

64
76 - 77
104
118 - 119
140
141



770 Series

- Snap-In Device Connectors, 2-Pole
- Snap-In Device Connectors, 3-Pole
- Snap-In Device Connectors, 4-Pole
- Snap-In Device Connectors, 5-Pole

65
78 - 79
106 - 107
120 - 121



770 Series

- PCB Connectors, 3-Pole
- PCB Connectors, 4-Pole
- PCB Connectors, 5-Pole

82 - 83
108 - 109
122 - 123



770 Series

- Distribution Connectors, 2-Pole
- Intermediate Couplers and T-Distribution Connectors, 3-Pole
- Distribution Connectors, 4-Pole
- Intermediate Couplers and T-Distribution Connectors, 5-Pole
- Distribution Box

67
84 - 88
110 - 111
124 - 128
138 - 139



771 Series

- Cable Assemblies, 2-Pole
- Cable Assemblies, 3-Pole
- Cable Assemblies, 4-Pole
- Cable Assemblies, 5-Pole

68 - 73
90 - 97
112
129 - 137


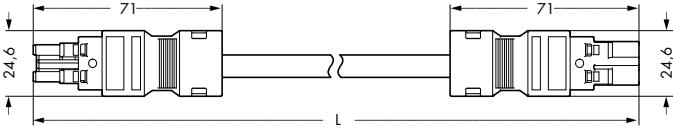

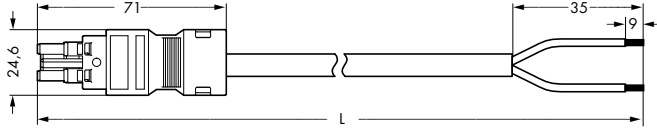

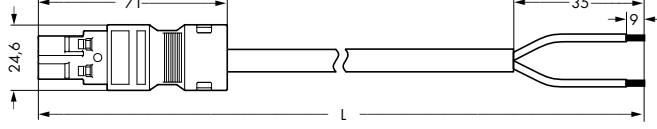


770/771 Series

- Strain Relief Housings, IP 2XD, 3-Pole
- Cable Assemblies, IP 2XD, 3-Pole

99
100 - 101

Cable Assemblies 2 x 2.5 mm²

		PVC	Control line: 2 x 2.5, gray	
		250 V/4 kV/3 I _N 20 A		
		Conductor ends, bonded: 9 mm		
		① Approvals		
Interconnecting cable, socket - plug		Color	Length	Item No.
		black		
		Coding B		
		PVC		
		●	1 m	771-8992/007-103
		●	1 m	771-8992/007-105
		●	1 m	771-8992/007-107
Connecting cable, socket - free end		Color	Length	Item No.
		black		
		Coding B		
		PVC		
		●	1 m	771-8992/107-103
		●	1 m	771-8992/107-105
		●	1 m	771-8992/107-107
Connecting cable, plug - free end		Color	Length	Item No.
		black		
		Coding B		
		PVC		
		●	1 m	771-8992/207-103
		●	1 m	771-8992/207-105
		●	1 m	771-8992/207-107

Item numbers overview for other cable lengths

Position	1 - 3	-	4	5	6	7	/	8	9	10	-	11	12	13
gray	771	-	9	9	9	2	/	0	0	6	-	1	0	3
light green	771	-	9	9	9	2	/	0	0	6	-	1	0	5
pink	771	-	9	9	9	2	/	0	0	6	-	1	0	7

The item numbers listed above correspond to the following cable version:
Interconnecting cable, 2-pole, socket - plug, PVC control line, 2 x 1.5 mm², 1 m

The 9th position defines whether it is a PVC or halogen-free cable. For example, an halogen-free cable with pink connectors has the following item number: 771-9992/016-107

The 10th position defines the cable cross-section. For example, a 2 x 1.5 mm² cable with light green connectors has the following item number: 771-9992/006-105

The 11th position defines the cable length. For example, a 5 m cable with gray connectors has the following item number: 771-9992/006-503