

3

- Note:**
- Installation connectors are designed for connection and disconnection while not under load.
 - There is no hazard-inducing interchangeability with other systems based on IEC 60309, IEC 60320, IEC 60906 and with national connector and socket systems.
 - Compliance with the standards (IEC 61535) does not guarantee hazard-avoiding, non-interchangeability with installation connector systems from various manufacturers.
 - Installation connector systems are not a substitute for residential connector/socket systems.
 - WINSTA® MIDI connectors are not suitable for easy-to-reach areas, except IP 2XD compliant specialty products (see pages 99 to 101).



770 Series

- Linect® T-Connector, 2-Pole
- Linect® T-Connector, 3-Pole
- Linect® T-Connector, 4-Pole
- Linect® T-Connector, 5-Pole

60, 66
60, 84
61, 110
61, 124



770 Series

- Pluggable Connectors, 2-Pole
- Pluggable Connectors, 3-Pole
- Pluggable Connectors, 4-Pole
- Pluggable Connectors, 5-Pole

62 - 63
74 - 75, 80 - 81
102 - 103
114 - 117



770 Series

- Strain Relief Housings, 2-Pole
- Strain Relief Housings, 3-pole
- Strain Relief Housings, 4-Pole
- Strain Relief Housings, 5-pole
- Strain Relief Housings, 6-Pole
- Strain Relief Housings, 7-Pole

64
76 - 77
104
118 - 119
140
141



770 Series

- Snap-In Device Connectors, 2-Pole
- Snap-In Device Connectors, 3-Pole
- Snap-In Device Connectors, 4-Pole
- Snap-In Device Connectors, 5-Pole

65
78 - 79
106 - 107
120 - 121



770 Series

- PCB Connectors, 3-Pole
- PCB Connectors, 4-Pole
- PCB Connectors, 5-Pole

82 - 83
108 - 109
122 - 123



770 Series

- Distribution Connectors, 2-Pole
- Intermediate Couplers and T-Distribution Connectors, 3-Pole
- Distribution Connectors, 4-Pole
- Intermediate Couplers and T-Distribution Connectors, 5-Pole
- Distribution Box

67
84 - 88
110 - 111
124 - 128
138 - 139



771 Series

- Cable Assemblies, 2-Pole
- Cable Assemblies, 3-Pole
- Cable Assemblies, 4-Pole
- Cable Assemblies, 5-Pole

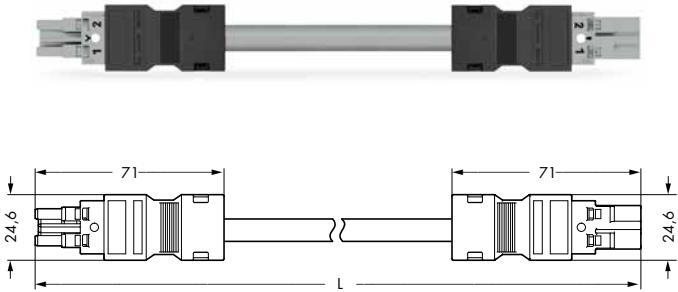
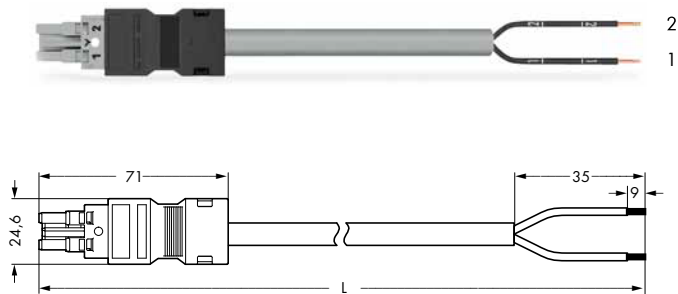
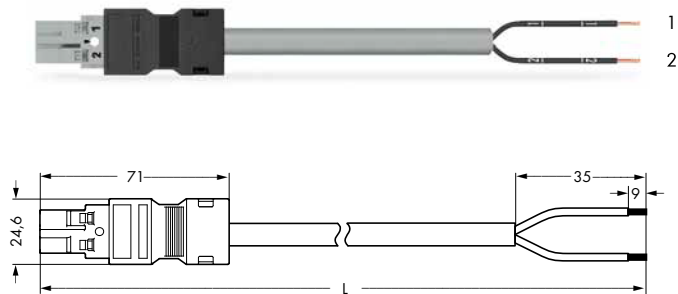












68 - 73
90 - 97
112
129 - 137



770/771 Series

- Strain Relief Housings, IP 2XD, 3-Pole
- Cable Assemblies, IP 2XD, 3-Pole

99
100 - 101

	<p>PVC Control line: 2 x 1.5, gray</p> <p>250 V/4 kV/3 I_N 16 A</p> <p>Conductor ends, bonded: 9 mm</p> <p>① Approvals</p>																																								
<p>Interconnecting cable, socket – plug</p>	<p>Color Length Item No. black</p>																																								
	<p>Coding B</p> <p>PVC</p> <table border="1"> <tr> <td>●</td> <td>1 m</td> <td>771-8992/006-103</td> </tr> <tr> <td>●</td> <td>1 m</td> <td>771-8992/006-105</td> </tr> <tr> <td>●</td> <td>1 m</td> <td>771-8992/006-107</td> </tr> </table>	●	1 m	771-8992/006-103	●	1 m	771-8992/006-105	●	1 m	771-8992/006-107																															
●	1 m	771-8992/006-103																																							
●	1 m	771-8992/006-105																																							
●	1 m	771-8992/006-107																																							
<p>Connecting cable, socket – free end</p>	<p>Color Length Item No. black</p>																																								
	<p>Coding B</p> <p>PVC</p> <table border="1"> <tr> <td>●</td> <td>1 m</td> <td>771-8992/106-103</td> </tr> <tr> <td>●</td> <td>1 m</td> <td>771-8992/106-105</td> </tr> <tr> <td>●</td> <td>1 m</td> <td>771-8992/106-107</td> </tr> </table>	●	1 m	771-8992/106-103	●	1 m	771-8992/106-105	●	1 m	771-8992/106-107																															
●	1 m	771-8992/106-103																																							
●	1 m	771-8992/106-105																																							
●	1 m	771-8992/106-107																																							
<p>Connecting cable, plug - free end</p>	<p>Color Length Item No. black</p>																																								
	<p>Coding B</p> <p>PVC</p> <table border="1"> <tr> <td>●</td> <td>1 m</td> <td>771-8992/206-103</td> </tr> <tr> <td>●</td> <td>1 m</td> <td>771-8992/206-105</td> </tr> <tr> <td>●</td> <td>1 m</td> <td>771-8992/206-107</td> </tr> </table>	●	1 m	771-8992/206-103	●	1 m	771-8992/206-105	●	1 m	771-8992/206-107																															
●	1 m	771-8992/206-103																																							
●	1 m	771-8992/206-105																																							
●	1 m	771-8992/206-107																																							
<p>Info</p>	<p>Accessories</p>																																								
<p>① For "International Certification Organizations" and "Approvals – User Guide," see pages 240 to 243. Marine approvals (GL, LR, NV) relate exclusively to cables approved for marine applications.</p> <p>For other cables, please contact factory.</p> <table border="1"> <tr> <td>●</td> <td>gray</td> <td>Coding B</td> <td>(1 2)</td> </tr> <tr> <td>●</td> <td>light green</td> <td>Coding B</td> <td>(1 2)</td> </tr> <tr> <td>●</td> <td>pink</td> <td>Coding B</td> <td>(1 2)</td> </tr> </table> <p>For additional pole marking, see page 227.</p> <p>For coding information, see pages 224 to 226. Fire load data available upon request.</p>	●	gray	Coding B	(1 2)	●	light green	Coding B	(1 2)	●	pink	Coding B	(1 2)	<p>Locking lever, for "flying leads," manually operated</p> <table border="1"> <tr> <td></td> <td>black</td> <td>770-101</td> <td>100 (4x25)</td> </tr> <tr> <td></td> <td>white</td> <td>770-121</td> <td>100 (4x25)</td> </tr> </table> <p>Locking lever, for "flying leads," tool operated</p> <table border="1"> <tr> <td></td> <td>black</td> <td>770-111</td> <td>100 (4x25)</td> </tr> <tr> <td></td> <td>white</td> <td>770-131</td> <td>100 (4x25)</td> </tr> </table> <p>Lockout cap, for socket, separable, 12-pole</p> <table border="1"> <tr> <td></td> <td>black</td> <td>770-201</td> <td>100</td> </tr> <tr> <td></td> <td>white</td> <td>770-221</td> <td>100</td> </tr> </table> <p>Lockout cap, for plug, separable, 5-pole</p> <table border="1"> <tr> <td></td> <td>yellow</td> <td>770-360</td> <td>100</td> </tr> </table>		black	770-101	100 (4x25)		white	770-121	100 (4x25)		black	770-111	100 (4x25)		white	770-131	100 (4x25)		black	770-201	100		white	770-221	100		yellow	770-360	100
●	gray	Coding B	(1 2)																																						
●	light green	Coding B	(1 2)																																						
●	pink	Coding B	(1 2)																																						
	black	770-101	100 (4x25)																																						
	white	770-121	100 (4x25)																																						
	black	770-111	100 (4x25)																																						
	white	770-131	100 (4x25)																																						
	black	770-201	100																																						
	white	770-221	100																																						
	yellow	770-360	100																																						