

500 V Bases, double locking lever Size 10

500 V Bases, Size 10



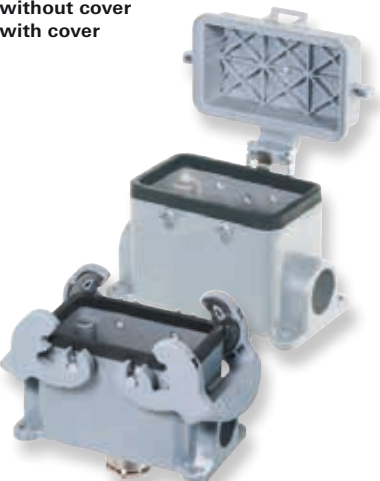
open
without cover
with cover



closed
1 cable gland
without cover
with cover



closed
1 cable gland, bottom
without cover
with cover



Description	Type	M	Part No.	P.U.
500 V Bases, size 10				
Open-bottom base				
without cover	BAS GUT GA 10 50 A		70.320.1028.0	1
with cover	BAS GUT GE 10 50 A		70.325.1028.0	1
Closed-bottom base				
2 cable glands, 2 x M20				
without cover				
with cable gland, IP54, $\rightarrow \text{Ø} \leftarrow 3 - 14.5 \text{ mm}$	BAS GUT GB 10 M20 50 A0	20	70.330.1035.0	1
with threaded collar	BAS GUT GB 10 M20 50 A1	20	70.330.1035.1	1
with cover				
with cable gland, IP54, $\rightarrow \text{Ø} \leftarrow 3 - 14.5 \text{ mm}$	BAS GUT GF 10 M20 50 A0	20	70.340.1035.0	1
with threaded collar	BAS GUT GF 10 M20 50 A1	20	70.340.1035.1	1
2 cable glands, 2 x M25				
without cover				
with cable gland, IP54, $\rightarrow \text{Ø} \leftarrow 7.5 - 19 \text{ mm}$	BAS GUT GB 10 M25 50 A0	25	70.334.1035.0	1
with threaded collar	BAS GUT GB 10 M25 50 A1	25	70.334.1035.1	1
with cover				
with cable gland, IP54, $\rightarrow \text{Ø} \leftarrow 7.5 - 19 \text{ mm}$	BAS GUT GF 10 M25 50 A0	25	70.344.1035.0	1
with threaded collar	BAS GUT GF 10 M25 50 A1	25	70.344.1035.1	1
1 cable gland, left, 1 x M20				
without cover				
with cable gland, IP54, $\rightarrow \text{Ø} \leftarrow 3 - 14.5 \text{ mm}$	BAS GUT GC 10 M20 50 A0	20	70.331.1035.0	1
with threaded collar	BAS GUT GC 10 M20 50 A1	20	70.331.1035.1	1
with cover				
with cable gland, IP54, $\rightarrow \text{Ø} \leftarrow 3 - 14.5 \text{ mm}$	BAS GUT GG 10 M20 50 A0	20	70.341.1035.0	1
with threaded collar	BAS GUT GG 10 M20 50 A1	20	70.341.1035.1	1
1 cable gland, left, 1 x M25				
without cover				
with cable gland, IP54, $\rightarrow \text{Ø} \leftarrow 7.5 - 19 \text{ mm}$	BAS GUT GC 10 M25 50 A0	25	70.335.1035.0	1
with threaded collar	BAS GUT GC 10 M25 50 A1	25	70.335.1035.1	1
1 cable gland, right, 1 x M20				
with cover				
with cable gland, IP54, $\rightarrow \text{Ø} \leftarrow 3 - 14.5 \text{ mm}$	BAS GUT GH 10 M20 50 A0	20	70.342.1035.0	1
with threaded collar	BAS GUT GH 10 M20 50 A1	20	70.342.1035.1	1
1 cable gland, bottom, 1 x M20				
without cover				
with cable gland, IP54, $\rightarrow \text{Ø} \leftarrow 3 - 14.5 \text{ mm}$	BAS GUT GD 10 M20 50 A0	20	70.333.1035.0	1
with threaded collar	BAS GUT GD 10 M20 50 A1	20	70.333.1035.1	1
with cover				
with cable gland, IP54, $\rightarrow \text{Ø} \leftarrow 3 - 14.5 \text{ mm}$	BAS GUT GI 10 M20 50 A0	20	70.343.1035.0	1
with threaded collar	BAS GUT GI 10 M20 50 A1	20	70.343.1035.1	1
1 cable gland, bottom, 1 x M25				
without cover				
with cable gland, IP54, $\rightarrow \text{Ø} \leftarrow 7.5 - 19 \text{ mm}$	BAS GUT GD 10 M25 50 A0	25	70.337.1035.0	1
with threaded collar	BAS GUT GD 10 M25 50 A1	25	70.337.1035.1	1
Technical data				
Material	Die cast aluminum alloy			
Surface	silicon-free			
Locking levers	Handle: Polyamide, UL94-V0; stainless steel: V2A			
Gasket	NBR			
Degree of protection				
with latched locking levers	IP54			
with appropriate cable glands	IP65			
Temperature range	-40 – +120 °C			
Description	Type	M	Part No.	P.U.
Accessories				
Cable gland IP68, plastic material, gray	Connection range 6 – 12 mm	20	Z5.507.1353.0	10
Cable gland IP68, nickel-plated brass	Connection range 8 – 13 mm	20	Z5.507.1321.0	10
Cable gland IP68, plastic material, gray	Connection range 7 – 16 mm	25	Z5.507.1553.0	10
Cable gland IP68, nickel-plated brass	Connection range 11 – 18 mm	25	Z5.507.1521.0	10
Contact inserts				
See the product matrix			Page 24–25	
All Bases on this page are also available in M25 design. The fifth digit of the part number always increases by 4 for M25 compared to the corresponding M20 designs. Example: 70.341.1035.0 for M20 becomes 70.345.0635.0 for M25				

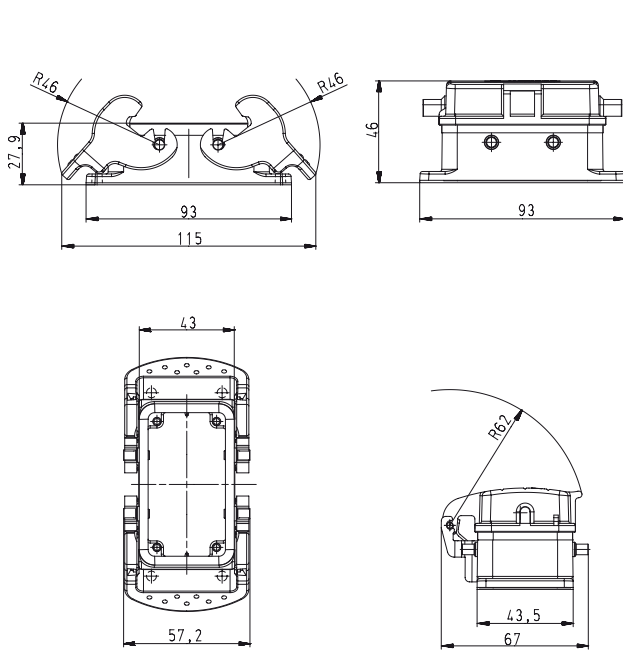
Note:

In 2013 the design of the revos housings will change. Through the use of an integrated insulation strip, voltage ranges of up to 690 V can then be covered. Additionally, a new, flexible marking system will be available to you.

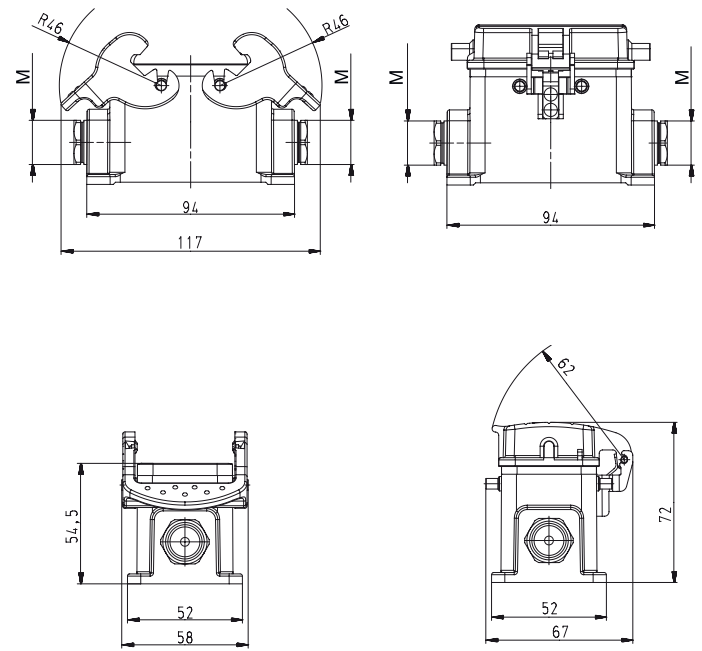
Dimensions

Bases

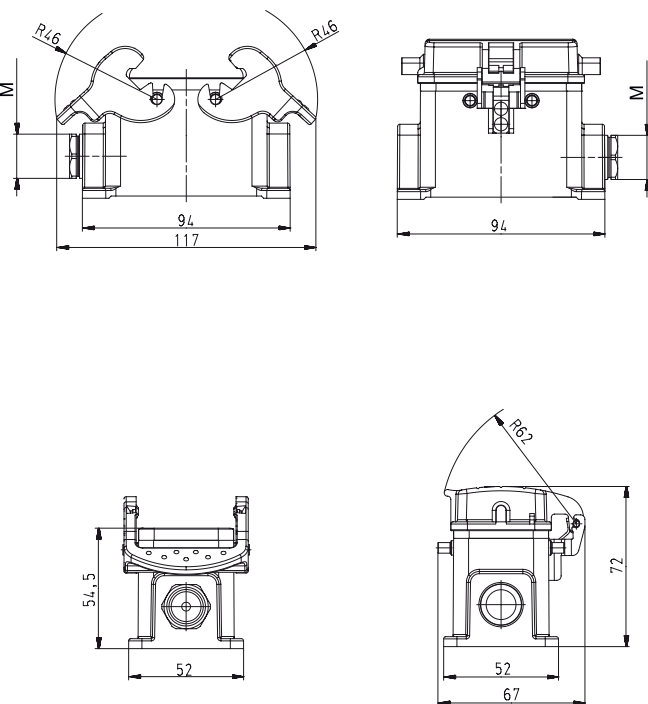
open



closed, 2 cable glands



closed, 1 cable gland



closed, 1 cable gland, bottom

