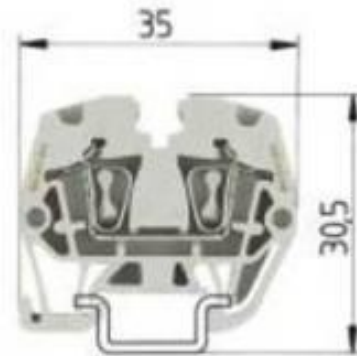


Datasheet

Art.No. 55.703.0053.0

Feed-through terminal WKMF 2,5/15

Feed-through DIN rail terminal block with spring clamp connection for mounting on TS 15, nominal cross section 2.5 mm², width 5 mm, color gray



Art.No.	55.703.0053.0
EAN	4015573671386
Order unit	100 pieces

Approvals



Technical data

General

Nominal cross section	2.5 mm ²
Colour	Grey
Number of levels	1
Number of clamp positions per level	2
Width/grid dimension	5 mm
Insulating housing	PA666
Inflammability class of insulation material acc. with UL94	V0
Explosion-tested version "Ex e"	Yes
Mounting method	DIN rail (top hat rail) 15 mm
Terminal blocks for electrical installations	Yes

Technical data

Rated current	24 A
Rated voltage	500 V
Rated impulse voltage	6 kV
Pollution degree	3
Closing plate required	Yes
Type of insulation material	Thermoplastic
Length	35 mm

Connection Data

Connection type 1	Tension clamp connection
Connection type 2	Tension clamp connection

Minimum cross section solid	0.13 mm ²
Maximum cross section solid	2.5 mm ²
Minimum cross section fine stranded	0.13 mm ²
Maximum cross section fine stranded	2.5 mm ²
Wire strip length	10 mm

Technical Data UL/CSA

Cross section UL	26-12 AWG
Voltage UL	600 V
Current factory wiring	20 A
Current field wiring	20 A
Cross section CSA	26-12 AWG
Voltage CSA	300 V
Current CSA	20 A

Classification

ECLASS 8.1	27141120: Feed-through terminal block
ETIM 5.0	EC000897: Feed-through terminal block
ETIM 4.0	EC000897: Feed-through terminal block
ETIM 3.0	EC000897: Feed-through terminal block

Accessories

Art.No.:	Type:	Description
07.312.5953.0	End plate APMF 2,5/15	End plate for DIN rail terminal blocks type WKFM, color gray
98.090.0015.0	Mounting rail 15x5,5 EN60715 2000MM	Covers for fasis - selos - taris DIN rail terminal blocks
Z5.522.7553.0	End bracket 9208 / S15	End clamp for mounting rail TS 15
Z7.260.0229.0	Jumper bar IVB WKMF 2,5- 2	Cross connector, insulated for DIN rail terminal blocks type WKMF..., 2 -pole
Z7.260.0329.0	Jumper bar IVB WKMF 2,5- 3	Cross connector, insulated for DIN rail terminal blocks type WKMF..., 3 -pole
Z7.260.0429.0	Jumper bar IVB WKMF 2,5- 4	Cross connector, insulated for DIN rail terminal blocks type WKMF..., 4 -pole
Z7.260.0529.0	Jumper bar IVB WKMF 2,5- 5	Cross connector, insulated for DIN rail terminal blocks type WKMF..., 5 -pole
Z7.260.0629.0	Jumper bar IVB WKMF 2,5- 6	Cross connector, insulated for DIN rail terminal blocks type WKMF..., 6 -pole
Z7.260.0729.0	Jumper bar IVB WKMF 2,5- 7	Cross connector, insulated for DIN rail terminal blocks type WKMF..., 7 -pole
Z7.260.0829.0	Jumper bar IVB WKMF 2,5- 8	Cross connector, insulated for DIN rail terminal blocks type WKMF..., 8 -pole
Z7.260.0929.0	Jumper bar IVB WKMF 2,5- 9	Cross connector, insulated for DIN rail terminal blocks type WKMF..., 9 -pole
Z7.260.1029.0	Jumper bar IVB WKMF 2,5-10	Cross connector, insulated for DIN rail terminal blocks type WKMF..., 10 -pole

Drawings

Weitere Daten siehe Katalog
further data see catalog

These dimensions will be especially checked at delivery
Only inspection dimensions
[REZ. Z. GEWISSER DIMENSIONEN SIND SOWOHL FÜR VERTEILUNG ALS AUCH FÜR VERMONTAGE]

These data will be checked in accordance with approval
Essential technical data
[REZ. Z. GEWISSER DIMENSIONEN SIND SOWOHL FÜR VERTEILUNG ALS AUCH FÜR VERMONTAGE]

Technical Data
Technische Daten

	VDE	UL	CSA
Rated voltage Nennspannung V	500	300	300
Rated current Nennstrom A	24	20	20
Connection range max. Anschlußbereich max. mm ² /AWG	2,5	12	12
Rated cross-section Nennquerschnitt 2,5mm ²	2,5mm ²		
Flammfähigkeitsklasse UL 94 V-0 Flammability rating UL 94 V-0	UL 94 V-0		
Pollutionsgrad 3/Überspannungskategorie III pollution degree 3/overvoltage category III	III		

Teil-Nr. part-no.	Typ type	Farbe colour
55.703.0053.0	WKMF 2,5/15	grau, ähnl./grey, similar to RAL7032
55.703.0053.1	WKMF 2,5/15 SCHWARZ	schwarz/black
55.703.0053.5	WKMF 2,5/15 ROT	rot/red
55.703.0053.6	WKMF 2,5/15 BLAU	blau, ähnl./blue, similar to RAL5012
55.703.0053.7	WKMF 2,5/15 GRÜN	grün/green
55.703.0053.8	WKMF 2,5/15 GELB	gelb/yellow
55.703.0053.9	WKMF 2,5/15 ORANGE	orange/orange

Interferenz nach DIN 7167/Tolerance system acc. to DIN 7167.
[This DIN-standard describes the envelope principle. According to the envelope principle the deviations of form and parallelism are limited by the size tolerances.]
[Anmerkung: Stoffverbot- und Deklarationsliste nach EU-TM-05/03 ist anzuklagen. Conformity with Wieland document 00-TM-05/03 (list of prohibited / declarable hazardous substances) to be declared!]

Freitoleranz nach -
General tolerance -

CM - Zeichnung, keine manuellen Änderungen
CM - drawing, no manual modifications allowed

1. Verwendung: -
First Use: -

Blatt: 1 von 1
Sheet: 1 of 1

	Werkstoff/Material	2003 Tag/Date	Name	Zeichnung Nr./Drawing No.	Index
/	Farbe: siehe Tabelle colour: see table	gezeichnet/drawn	12.05	Schmitt	
/		geprüft/checked	-	-	
/		abgepr. / stamped	-	-	

Made in mm/Dimensions are in mm

Änderung/Revision	Vol.	mm	Offl./Sort.	mm	Ersatz für/Replacement for: -
k	06.06.2004/				
e	19.12.2003/				

Wieland
Elektronische Verbindungen

Type
WKMF
2,5/15 ...

Bezeichnung/Title
DURCHGANGSKLEMME
terminal

DU-PEM-08/91

557030053001K_c_0001045_04681_2007-02-28T10:01:08_1000