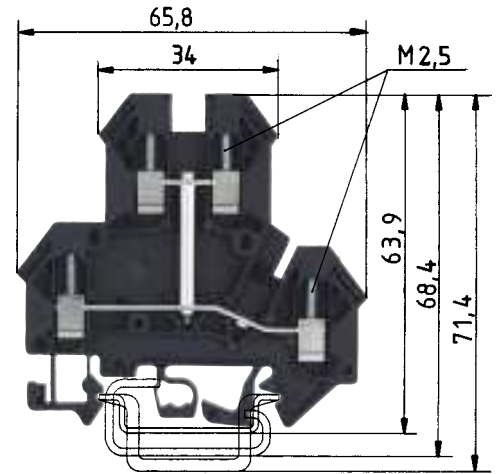
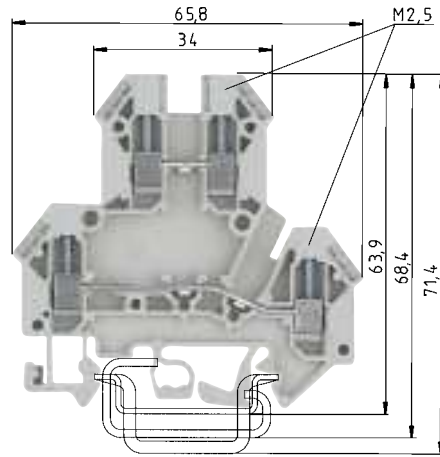


Multi-tier feed-through block with screw connection



EN 60947-7-1/DIN VDE 0611 T1
 UL ratings Field/factory wiring
 CSA ratings
 Width Wire strip length
 Approvals

WKN 2,5 E/U

fine-stranded solid V A
 0.5-2.5mm² 0.5-4mm² 500V/6kV/3 24
 No. 22-12 AWG 600V 20/25
 No. 24-12 AWG 600V 25
 5mm 8mm

WKN 2,5 E/U/VB

fine-stranded solid V A
 0.5-2.5mm² 0.5-4mm² 500V/6kV/3 24
 No. 22-12 AWG 600V 20/25
 No. 24-12 AWG 600V 25
 5mm 8mm

	Type	Part No.	Std. Pack	Type	Part No.	Std. Pack
Multi-tier feed-through block gray	WKN 2,5 E/U	57.403.7055.0	100			
Multi-tier feed-through block, connected black				WKN 2,5 E/U/VB	57.403.6955.1	100
Accessories						
1. Mounting rail TS 35, DIN rail 7.5 mm high L = 2 m	35 x 27 x 7,5 EN 60715	98.300.0000.0	1	35 x 27 x 7,5 EN 60715	98.300.0000.0	1
Mounting rail TS 35, DIN rail, 15 mm high L = 2 m	35 x 27 x 15 EN 60715	98.370.0000.0	1	35 x 27 x 15 EN 60715	98.370.0000.0	1
Mounting rail TS 32, G rail L = 2 m	9006 EN 60715 G-32	98.190.0000.0	1	9006 EN 60715 G-32	98.190.0000.0	1
2. End clamp with U-foot 10 mm wide	WE 1/U	Z5.523.5753.0	100	WE 1/U	Z5.523.5753.0	100
End clamp TS 35, with screw 8 mm wide	9708/2 S 35	Z5.522.8553.0	100	9708/2 S 35	Z5.522.8553.0	100
End clamp TS 35, without screw 8 mm wide	WEF 1/35	Z5.523.9353.0	100	WEF 1/35	Z5.523.9353.0	100
3. End plate gray	APN 2,5 E	07.312.1755.0	10	APN 2,5 E	07.312.1755.0	10
blue						
4. Partition gray	TWN 2,5 E	07.312.1855.0	10	TWN 2,5 E	07.312.1855.0	10
5. Cross connector with screws 2 pole	IVB WK 2,5 - 2	Z7.280.2227.0	10	IVB WK 2,5 - 2	Z7.280.2227.0	10
insulated, for upper tier 3 pole	IVB WK 2,5 - 3	Z7.280.2327.0	10	IVB WK 2,5 - 3	Z7.280.2327.0	10
up to 12 pole	IVB WK 2,5 - 12	Z7.280.3227.0	10	IVB WK 2,5 - 12	Z7.280.3227.0	10
Jumper comb 2 pole						
insulated, for lower tier 3 pole						
up to 12 pole						
6. Partition plate with marking facility	TS 2,5 GELB	07.311.2053.8	10	TS 2,5 GELB	07.311.2053.8	10
7. Single cover with marking facility	AD VB 2,5 GELB	04.326.2053.8	10	AD VB 2,5 GELB	04.326.2053.8	10
8. Cover with warning symbol over 4 blocks		04.343.4756.8	10		04.343.4756.8	10
For more accessories see pages 62-79						
For marking systems see pages 72-77						