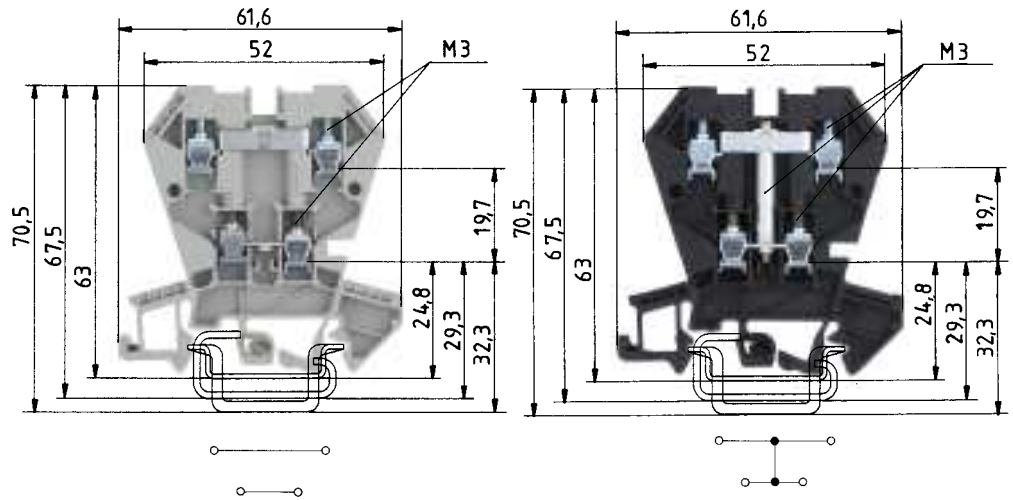


## Multi-tier blocks with screw connection



0344 Ex II 2GD IM2

Ex e I/II

EN 60947-7-1

EN 60947-7-2

UL ratings

CSA ratings

KEMA 02 ATEX 2114 U<sup>1)</sup> EN 60079-0/EN 60079-7

Width

Approvals

Field/factory wiring

Wire strip length

### WK 4 E/U

fine-stranded solid V A  
0.5-4mm<sup>2</sup> 0.5-4mm<sup>2</sup> 400V/6kV/3<sup>3)</sup> 32

No. 22-10 AWG 300V 20

No. 20-12 AWG 300V 10

0.5-4mm<sup>2</sup> 0.5-4mm<sup>2</sup> 275V 24/24<sup>2)</sup>

6mm 9mm



### WK 4 E/U /VB

fine-stranded solid V A  
0.5-4mm<sup>2</sup> 0.5-4mm<sup>2</sup> 400V/6kV/3 32

No. 22-10 AWG 300V 20

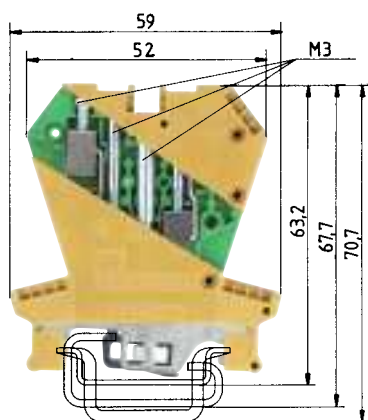
No. 20-12 AWG 300V 10

0.5-4mm<sup>2</sup> 0.5-4mm<sup>2</sup> 275V 24

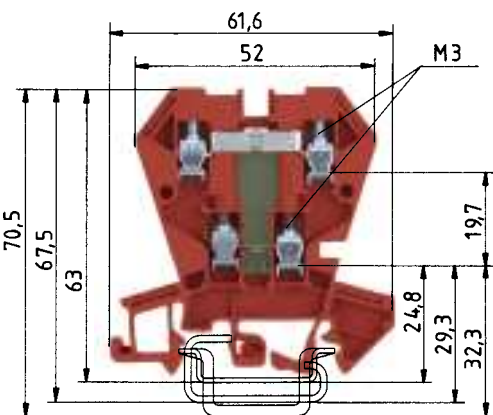
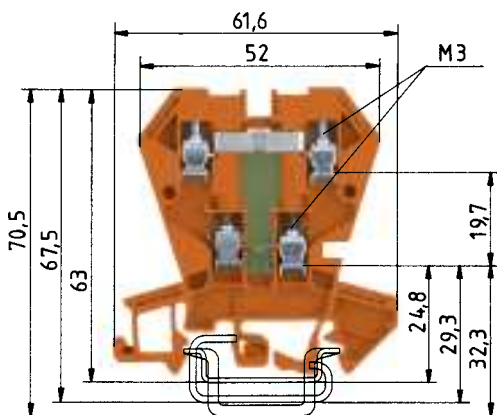
6mm 9mm



	Type	Part No.	Std. Pack	Type	Part No.	Std. Pack
<b>Multi-tier block</b> gray	WK 4 E/U	57.404.7055.0	100			
<b>Multi-tier block, vert. connected</b> black				WK 4 E/U/VB SCHWARZ	57.404.6955.1	100
<b>Multi-tier ground block</b> green/yellow						
<b>Function block</b> red						
<b>Function block</b> orange						
<b>Accessories</b>						
1. Mounting rail TS 35, DIN rail 7.5mm high L = 2m	35 x 27 x 7,5 EN 60715	98.300.0000.0	1	35 x 27 x 7,5 EN 60715	98.300.0000.0	1
Mounting rail TS 35, DIN rail, 15mm high L = 2m	35 x 27 x 15 EN 60715	98.370.0000.0	1	35 x 27 x 15 EN 60715	98.370.0000.0	1
Mounting rail TS 32, G rail* L = 2m	9006 EN 60715 G-32	98.190.0000.0	1	9006 EN 60715 G-32	98.190.0000.0	1
2. End clamp with U-foot* 10mm wide	WE 1/U	Z5.523.5753.0	100	WE 1/U	Z5.523.5753.0	100
End clamp TS 35, with screw 8mm wide	9708/2 S 35	Z5.522.8553.0	100	9708/2 S 35	Z5.522.8553.0	100
End clamp TS 35, without screw 8mm wide	9708	Z5.522.7053.0	100	WEF 1/35	Z5.523.9353.0	100
3. End plate gray	AP 4 E	07.311.4055.0	10	AP 4 E	07.311.4055.0	10
blue						
4. Partition gray	TW 4 E	07.311.5055.0	10	TW 4 E	07.311.5055.0	10
5. Cross connector with screws 2 pole	9215-2	Z7.210.3227.0	50	9215-2	07.210.3227.0	1
for top tier 3 pole	9215-3	Z7.210.3327.0	50	9215-3	07.210.3327.0	1
up to 6 pole	9215-6	Z7.210.3627.0	50	9215-6	07.210.3627.0	1
Jumper comb for lower tier block 2 pole	IVBS WK 4 E-2	Z7.256.4227.0	10	IVBS WK 4 E-2	Z7.256.4227.0	10
insulated, angled up to 6 pole	IVBS WK 4 E-6	Z7.256.4627.0	10	IVBS WK 4 E-6	Z7.256.4627.0	10
Jumper comb for lower tier block 2 pole	IVB WK 4 E-2	Z7.255.2227.0	10	IVB WK 4 E-2	Z7.255.2227.0	10
insulated, straight up to 6 pole	IVB WK 4 E-6	Z7.255.2627.0	10	IVB WK 4 E-6	Z7.255.2627.0	10
6. Partition plate with marking facility						
7. Single cover with marking facility	AD VB 4/15 GELB	04.326.2953.8	10	AD VB 4/15 GELB	04.326.2953.8	10
8. Cover with warning symbol over 4 blocks						
For more accessories see pages 62-79	<sup>1)</sup> Please note the mounting instructions.			<sup>2)</sup> With/without jumper		
For marking systems see pages 72-77	<sup>3)</sup> With end plates 500 V/6 kV/3.			* Do not use in Ex environments.		
	<sup>4)</sup> Ratings to adjacent feed-through blocks of the same series and size.					



Enclosed design



**WK 4 E SL/U**

fine-stranded solid

V

0.5-4 mm<sup>2</sup> 0.5- 6mm<sup>2</sup> 500 V/6 kV/3<sup>4</sup>)

No. 22-12 AWG

No. 22-10 AWG

0.5-4 mm<sup>2</sup> 0.5-6mm<sup>2</sup>

6,2mm



**WK 4 E/U...**

fine-stranded solid

V

0.5-4 mm<sup>2</sup> 0.5-4mm<sup>2</sup>

No. 22-10 AWG

No. 20-12 AWG

9mm

6mm



A

The multi-tier block is available on request as a function block for a wide variety of switching tasks.

Type	Part No.	Std. Pack	Type	Part No.	Std. Pack
WK 4 E SL/U	57.504.9255.0	100	WK 4 E/U...	57.404.XX55.9	100
			WK 4 E/U...	57.404.XX55.5	100
35 x 27 x 7,5 EN 60715	98.300.0000.0	1	35 x 27 x 7,5 EN 60715	98.300.0000.0	1
35 x 27 x 15 EN 60715	98.370.0000.0	1	35 x 27 x 15 EN 60715	98.370.0000.0	1
9006 EN 60715 G-32	98.190.0000.0	1	9006 EN 60715 G-32	98.190.0000.0	1
WE 1/U	Z5.523.5753.0	100	WE 1/U	Z5.523.5753.0	100
9708/2 S 35	Z5.522.8553.0	100	9708/2 S 35	Z5.522.8553.0	100
9708	Z5.522.7053.0	100	WEF 1/35	Z5.523.9353.0	100
			AP 4 E	07.311.4055.0	10
			TW 4 E	07.311.5055.0	10
			IVBS WK 4 E-2	Z7.256.4227.0	10
			IVBS WK 4 E-6	Z7.256.4627.0	10
			IVB WK 4 E-2	Z7.255.2227.0	10
			IVB WK 4 E-6	Z7.255.2627.0	10
AD VB 4/15 GELB	04.326.2953.8	10	AD VB 4/15 GELB	04.326.2953.8	10

**Examples of functions**

