



## Extension shaft



Powering Business Worldwide™

**Part no.**  
**Article no.**

**NZM1/2-XV4**  
**261232**

### Program

For use with			Max. mounting depth: 400 mm
			NZM1(-4), PN1(-4), N(S)1(-4) NZM2(-4), PN2(-4), N(S)2(-4)
<b>Notes</b>			
Can be cut to required length			
<b>Notes</b>			
Circuit-breaker can also be installed in a lying position 90 ° left/right, with the handle still in the same position.			

### Approbationen

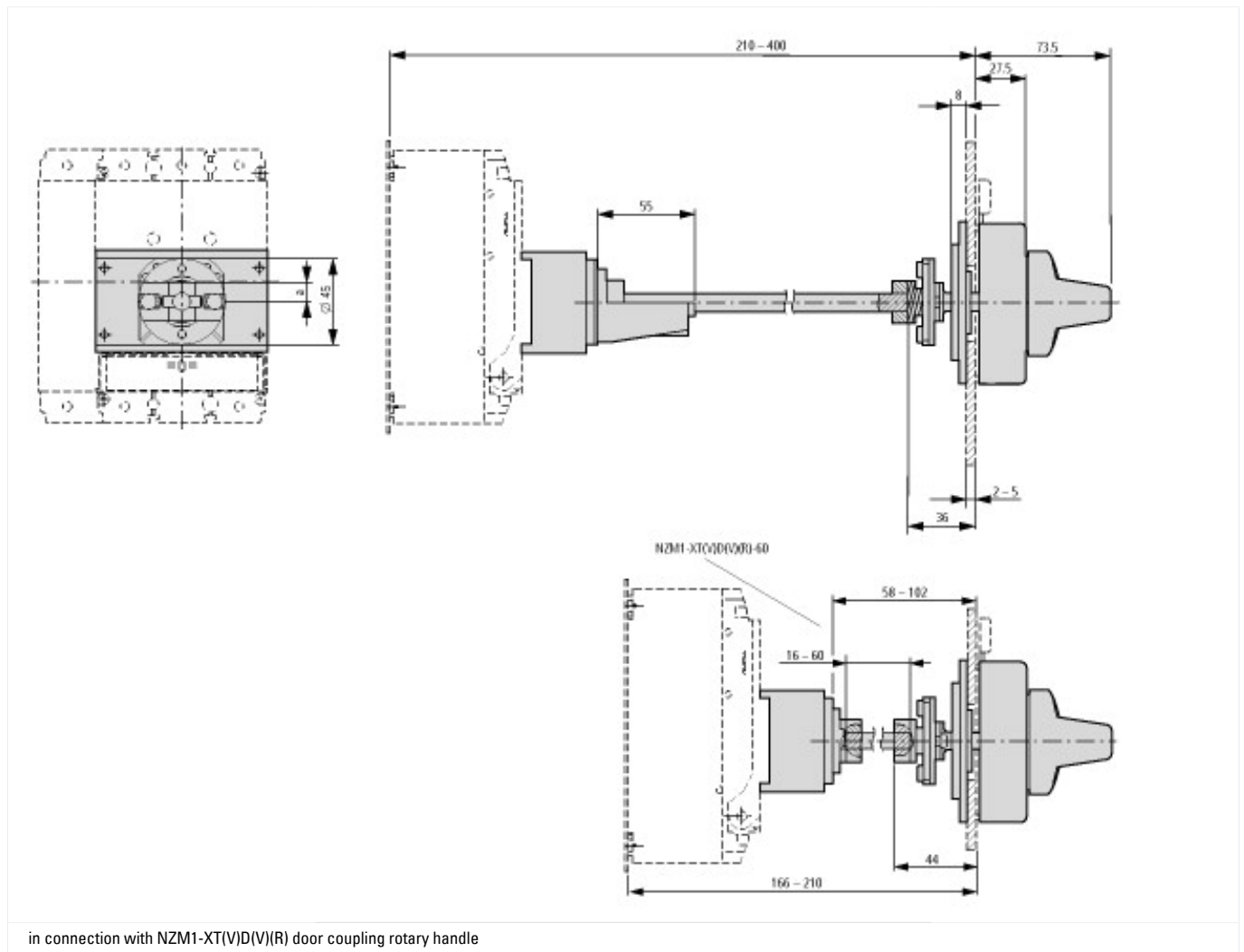
UL approval  
CSA approval  
NA Certification

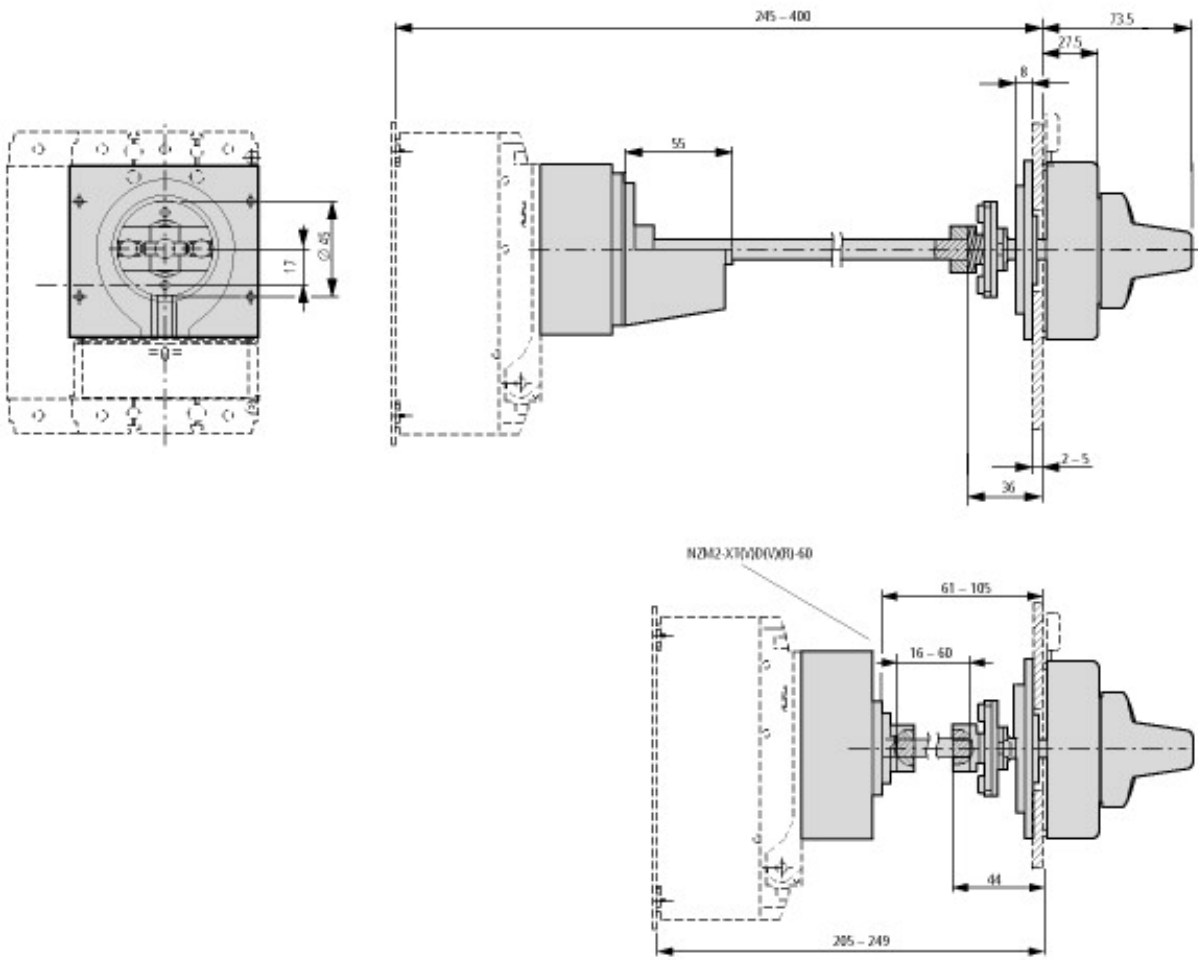
N  
N  
UL/CSA certification not required

### Technical data according to ETIM 4.0

Cross-section width		mm	8
Cross-section height		mm	8
Length		mm	400

### Dimensions





in connection with NZM2-XT(V)(V)(R) door coupling rotary handle