



Switched neutral

Part no.
Article no.

N-P1E
000651



Powering Business Worldwide™

Early-make, late-break

Program

| | | | |
|--------------|--|--|---|
| Range | | | Accessories |
| | | | Neutral conductor contacts |
| | | | Early-make switching-on behavior, late-break switching-off behavior The N contact always behaves as an early-make contact when switching on and as a late-break contact when switching off. N-P1(P3)... switching capacity same as for contacts P1(P3)-... For left or right side mounting |
| For use with | | | P1-.../E, .../EA, .../EZ |

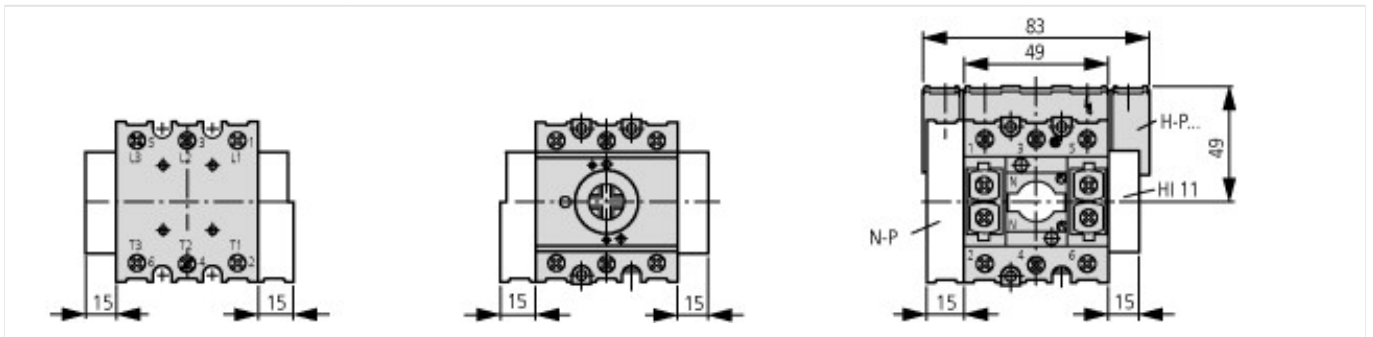
Approbationen

| | |
|-------------------|---|
| UL approval | Yes |
| CSA approval | Yes |
| Product Standards | UL 508; CSA-C22.2 No. 14-05; IEC/EN 60947-3; CE marking |
| UL File No. | CSA report applies to both Canada and US |
| UL CCN | - |
| CSA File No. | 12528 |
| CSA Class No. | 3211-05 |
| NA Certification | UL listed, CSA certified |

Technical data according to ETIM 4.0

| | | | |
|---|--|-----|------------------|
| Number of auxiliary contacts as normally open contact | | | 0 |
| Number of auxiliary contacts as normally closed contact | | | 0 |
| Rated permanent current I _u | | A | 0 |
| Number of poles | | | 0 |
| Conditioned rated short-circuit current I _q | | kA | 0 |
| Degree of protection (IP), front side | | | - |
| Number of auxiliary contacts as change-over contact | | | 0 |
| Interlockable | | | No |
| Motor drive integrated | | | No |
| Connection type main current circuit | | | Screw connection |
| Version as emergency stop installation | | | No |
| Type of control element | | | - |
| Version as main switch | | | No |
| Version as switch disconnecter compact | | | No |
| Version as safety switch | | | No |
| Version as maintenance-/service switch | | | No |
| Rated operation power at AC-23, 400V | | kWh | 0 |
| Rated operation power AC-3, 400 V | | kWh | 0 |
| Suitable for ground mounting | | | No |
| Suitable for front mounting | | | No |
| Suitable for front mounting center | | | No |
| Suitable for distribution board installation | | | No |
| Suitable for intermediate mounting | | | No |
| Max. rated operation voltage U _e AC | | V | 0 |
| Motor drive optional | | | No |
| Voltage release optional | | | No |
| Device construction | | | - |

Dimensions



Additional product information (links)

Engineering

| | |
|-------------------------------------|---|
| Technical overview | ftp://ftp.moeller.net/DOCUMENTATION/PDF/GB/Ovt_t_p_Leistung_G.pdf |
| Key to part numbers, modular system | ftp://ftp.moeller.net/DOCUMENTATION/PDF/GB/Ovt_t_p_Typenschluessele_G.pdf |
| Ordering of non-standard switches | ftp://ftp.moeller.net/DOCUMENTATION/PDF/GB/Bestellformulare_de.pdf |