



Emerg.stop label

Part no.

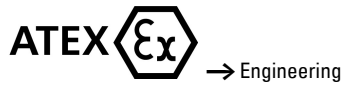
M22-XBK1

Article no.

216483

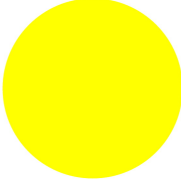


Powering Business Worldwide™



Lettering black

Program

Range			RMQ-Titan (drilling dimensions 22.5 mm)
Basic function			Accessories
Single unit/Complete unit			Single unit
Name			Four languages
Language			de, en, fr, it
			
RAL Value			RAL 1004
Protection type			IP66
Connection to SmartWire-DT			no
Notes			
Lettering black			

Approbationen

UL approval	N
CSA approval	N
Degree of Protection	UL/CSA Type 3R, 4X, 12, 13

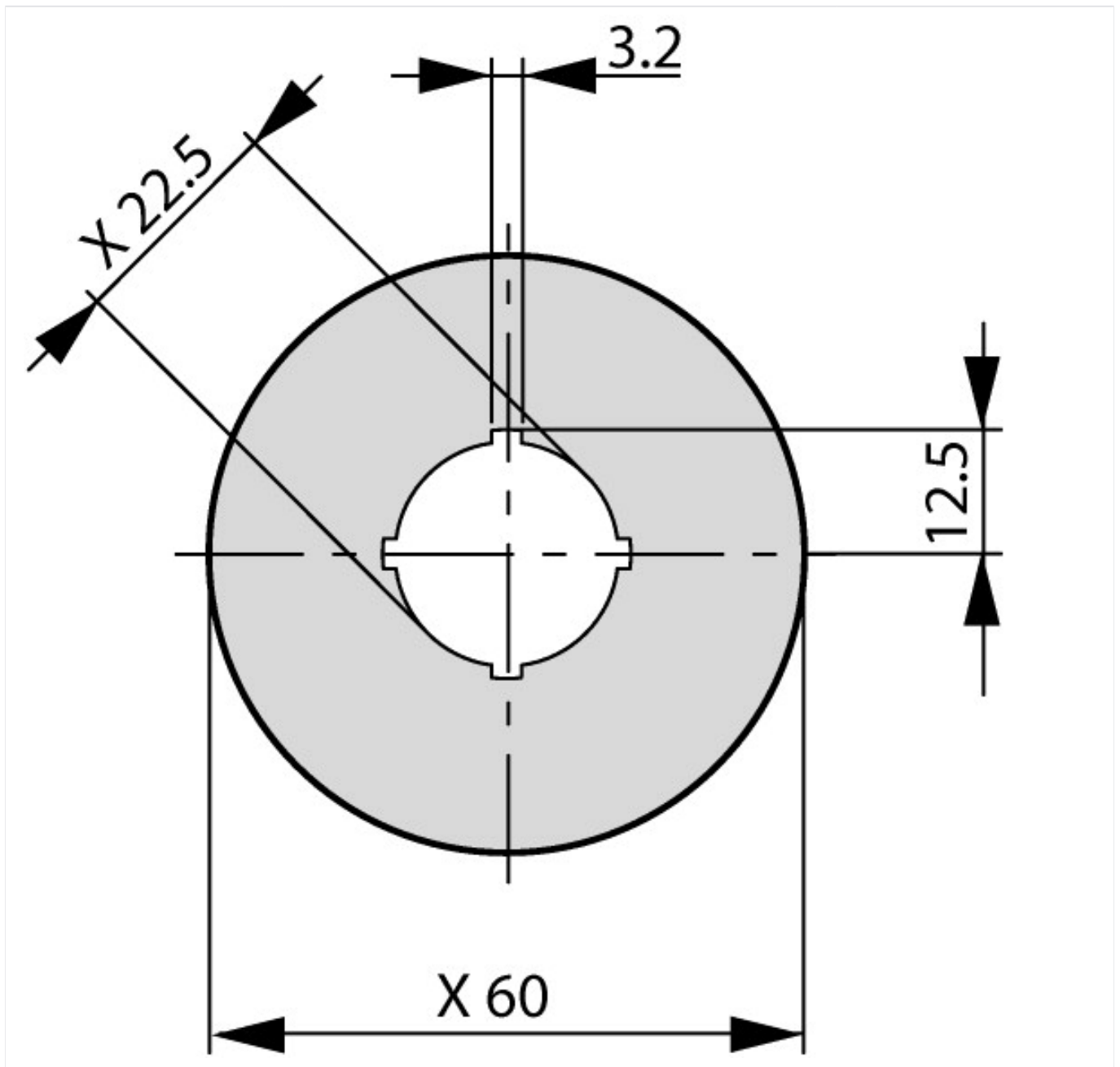
Technical data according to ETIM 4.0

Height			60
External diameter		mm	60
Width		mm	60
ISO symbol inscription			-
Form			Round
Inscription			-
Color			yellow

CAD-Data

Product standards CAD data: <http://eaton-moeller.partcommunity.com>

Dimensions



Additional product information (links)

IL04716002Z (AWA1160-1745) RMQ-Titan System	ftp://ftp.moeller.net/DOCUMENTATION/AWA_INSTRUCTIONS/IL04716002Z2011_03.pdf
Engineering	
Key to part numbers	ftp://ftp.moeller.net/DOCUMENTATION/PDF/GB/TYPENSCHLUESSEL_RM-Q-TITAN_de.pdf
Engineering	ftp://ftp.moeller.net/DOCUMENTATION/PDF/GB/PRO_RM-Q-Titan_D_de.pdf
Ordering example for custom complete units	ftp://ftp.moeller.net/DOCUMENTATION/PDF/GB/Bestellbeispiel_F0315_COMBINATION_de.pdf
Order form for custom complete units	ftp://ftp.moeller.net/DOCUMENTATION/PDF/GB/FORM_F0315_Combination_de.pdf
Labeleditor	ftp://ftp.moeller.net/MFD/EASY-SOFT-PRO/labeleditor_206.exe