



Legend plate label mount

Part no. M22S-ST-GB1

Article no. 216495



Powering Business Worldwide™

30 x 50 mm, round, black (RAL 9005)

Program

Range			RMQ-Titan (drilling dimensions 22.5 mm)
Basic function			Accessories
Single unit/Complete unit			Single unit
Width		mm	30
Height		mm	50
Design			Round
Colour			Black
RAL Value			RAL 9005
Inscription			START
Protection type			IP66
Front ring			Front ring: black
Connection to SmartWire-DT			no

Approbationen

UL approval	N
CSA approval	N
Degree of Protection	UL/CSA Type 3R, 4X, 12, 13

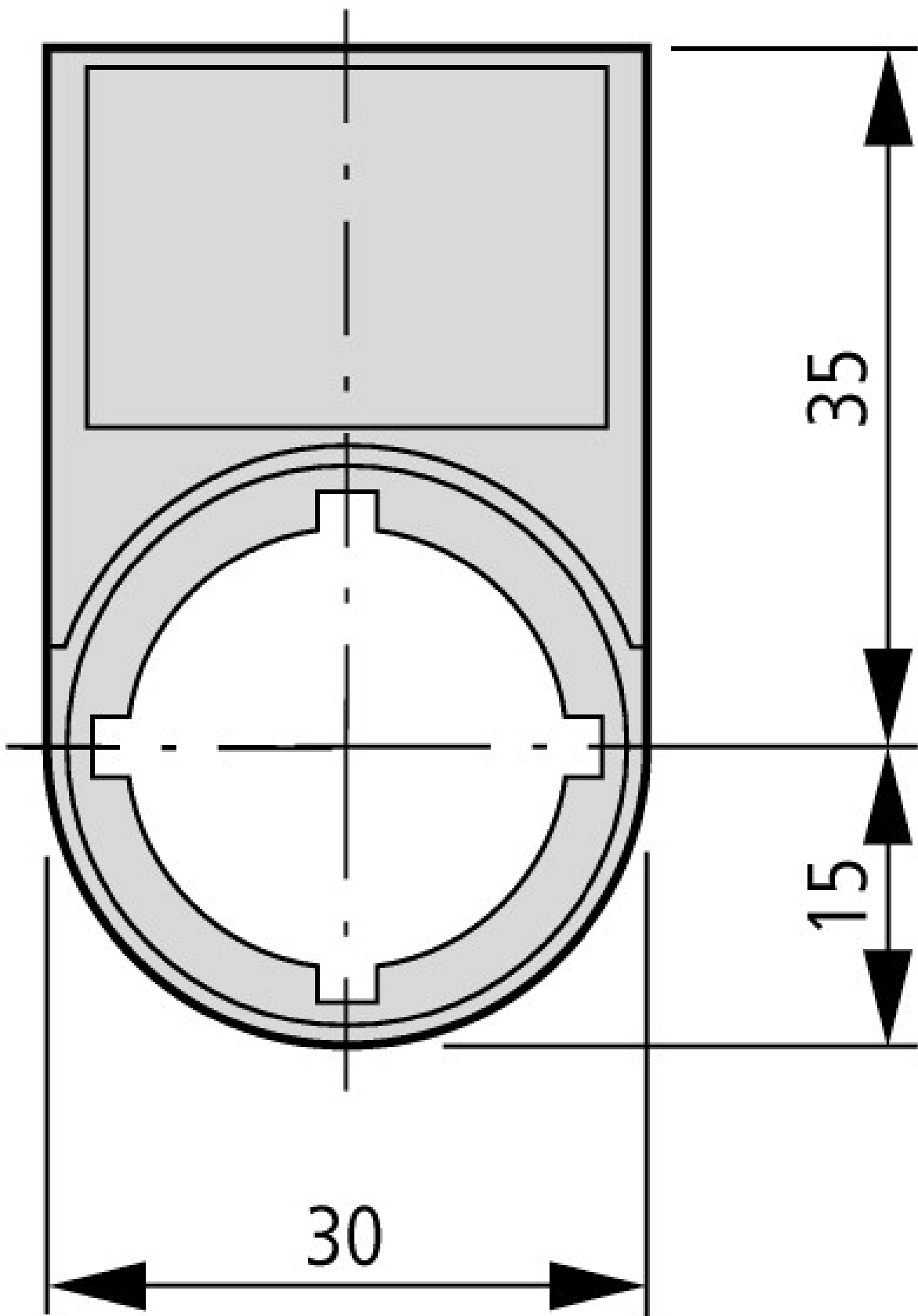
Technical data according to ETIM 4.0

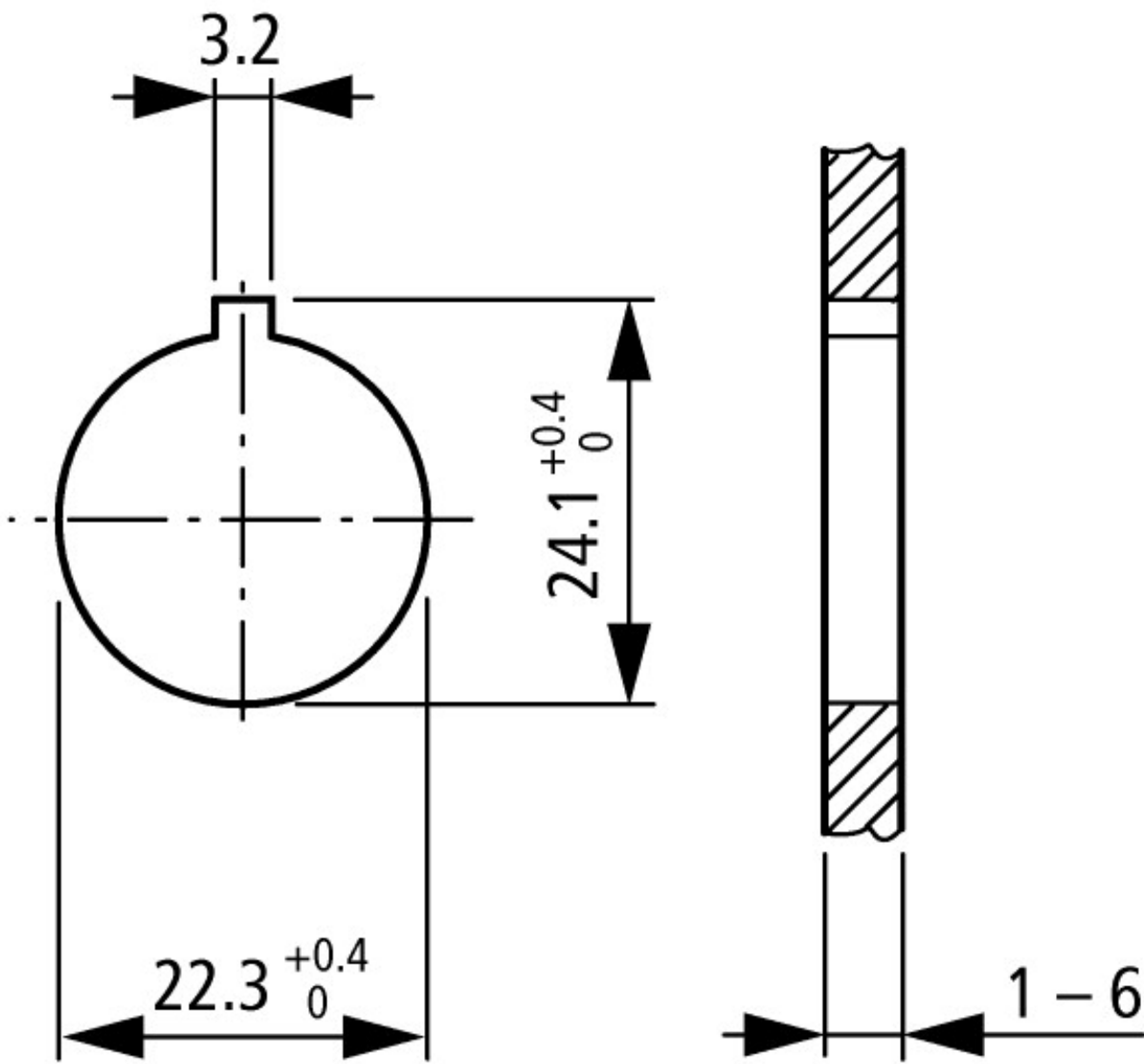
Hole diameter		mm	22
Height		mm	50
Width		mm	30
Form			Rectangular
Color			black
Height meter opening		mm	0
Width of opening		mm	22

CAD-Data

Product standards CAD data: <http://eaton-moeller.partcommunity.com>

Dimensions





Mounting hole with lug slot

Actuating and indicator elements

Additional product information (links)

IL04716002Z (AWA1160-1745) RMQ-Titan System

ftp://ftp.moeller.net/DOCUMENTATION/AWA_INSTRUCTIONS/IL04716002Z2011_03.pdf

Engineering

Key to part numbers

ftp://ftp.moeller.net/DOCUMENTATION/PDF/GB/TYPENSCHLUESSEL_RM-Q-TITAN_de.pdf

Engineering

ftp://ftp.moeller.net/DOCUMENTATION/PDF/GB/PRO_RMQTitan_D_de.pdf

Ordering example for custom complete units

ftp://ftp.moeller.net/DOCUMENTATION/PDF/GB/Bestellbeispiel_F0315_COMBINATION_de.pdf

Order form for custom complete units

ftp://ftp.moeller.net/DOCUMENTATION/PDF/GB/Form_F0315_Combination_de.pdf