



Indicator light, flush, blue



Powering Business Worldwide™

Part no.

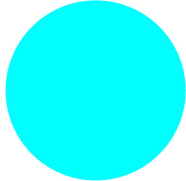
M22-L-B

Article no.

216775

LEDs for indicator lamps → 216557 and following

### Program

Range			RMQ-Titan (drilling dimensions 22.5 mm)
Basic function			Indicator lights
Single unit/Complete unit			Single unit
Colour			
			Blue
Design			Flush
Protection type			IP67, IP69K
Front ring			Front ring: titanium
Connection to SmartWire-DT			yes

### Approbationen

UL approval	Yes
CSA approval	Yes
Product Standards	IEC/EN 60947-5; UL 508; CSA-C22.2 No. 14-05; CSA-C22.2 No. 94-91; CE marking
UL File No.	E29184
UL CCN	NKCR
CSA File No.	012528
CSA Class No.	3211-03
NA Certification	UL listed, CSA certified
Degree of Protection	UL/CSA Type 3R, 4X, 12, 13

### General

Standards			IEC/EN 60947 VDE 0660
Protection type			IP67, IP69K
Climatic proofing			Damp heat, constant to IEC 60068-2-78 Damp heat, cyclic to IEC 60068-2-30
Ambient temperature		°C	
Open		°C	- 25 - + 70
Mounting position			As required
Mechanical shock resistance		g	30 Shock duration 11 ms Sinusoidal according to IEC 60068-2-27
Terminal capacity			
Solid		mm <sup>2</sup>	0.5 - 1.5
Stranded		mm <sup>2</sup>	0.5 - 1.5

### Contacts

Rated impulse withstand voltage	U <sub>imp</sub>	V AC	4000
Rated insulation voltage	U <sub>i</sub>	V	250
Overvoltage category/pollution degree			III/3

### Technical data according to ETIM 4.0

Type of lens			flush
Width of opening		mm	22
Suitable for number of built-in indicator lights			1
Color lens			blue

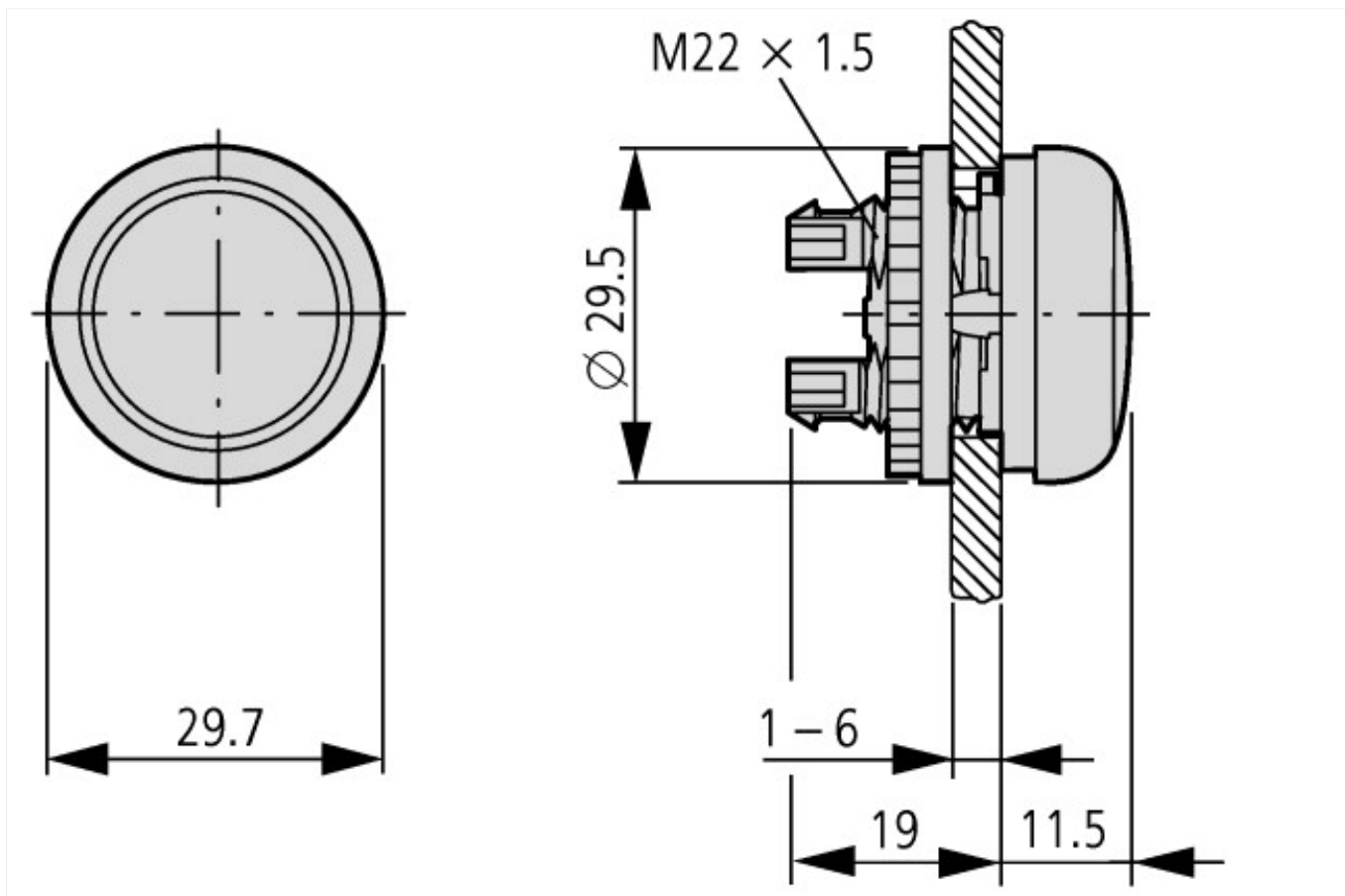
Material front ring			Insulated material
Color bezel			Chrome
Lens design			Round
Height meter opening		mm	6
With bezel			YES
Protection type (IP), at front			IP67
Hole diameter		mm	22

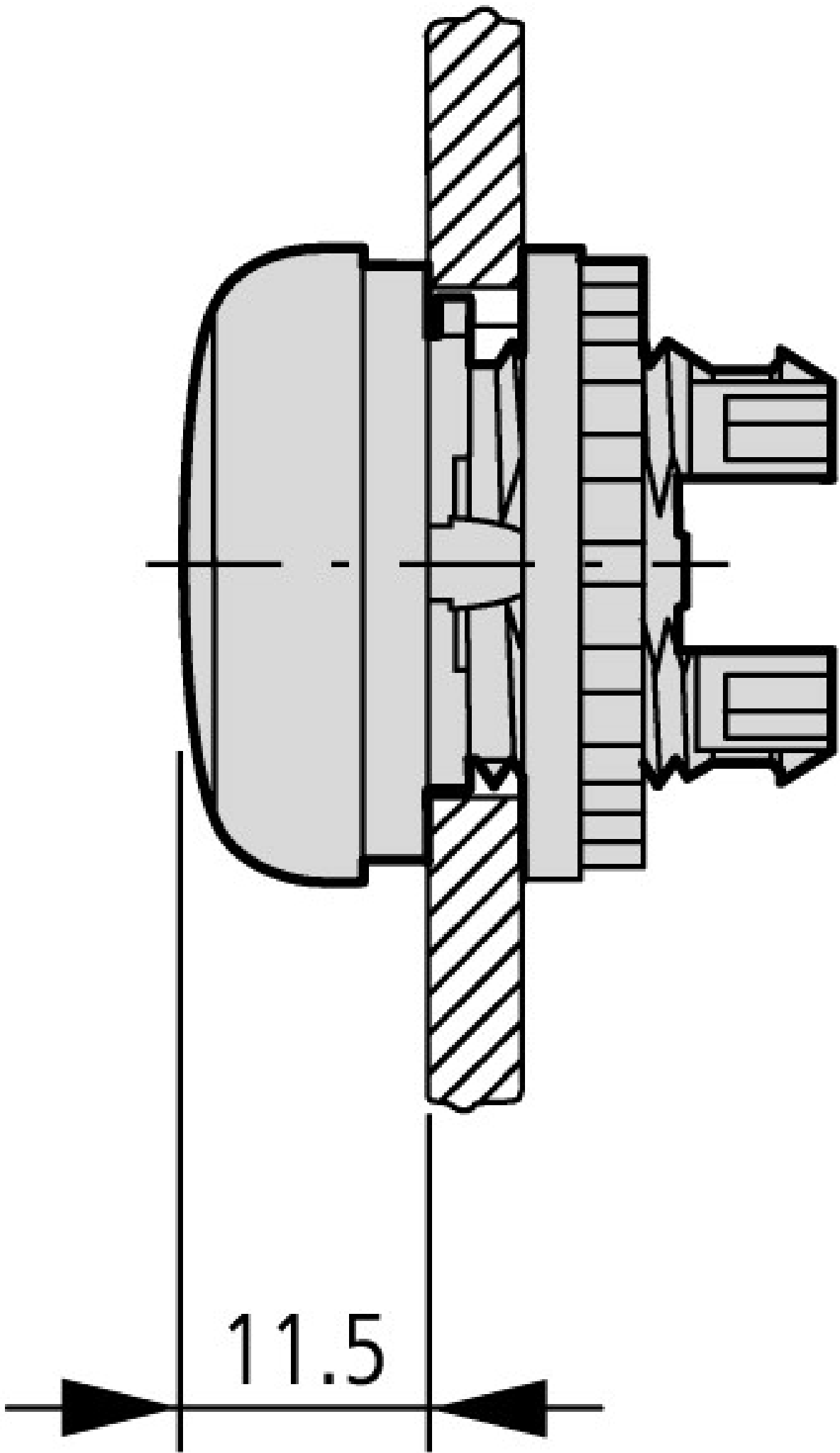
### CAD-Data

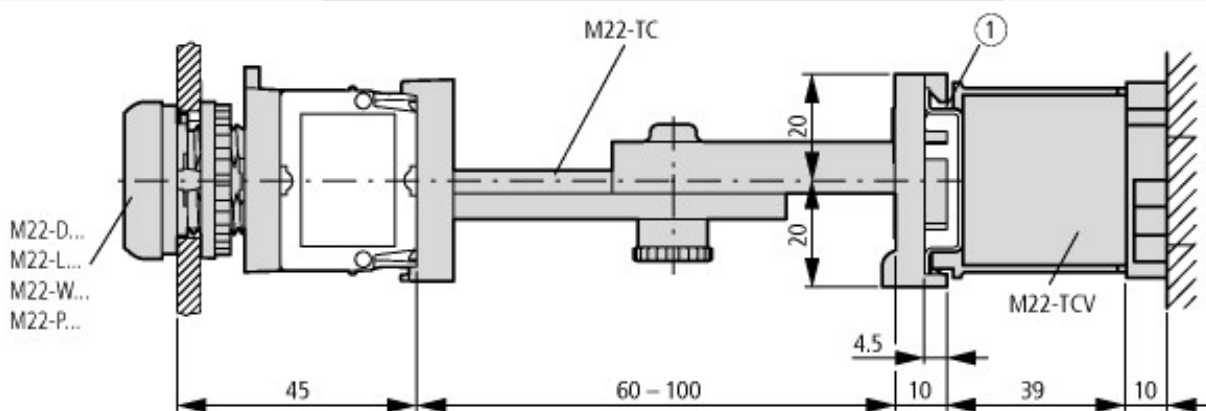
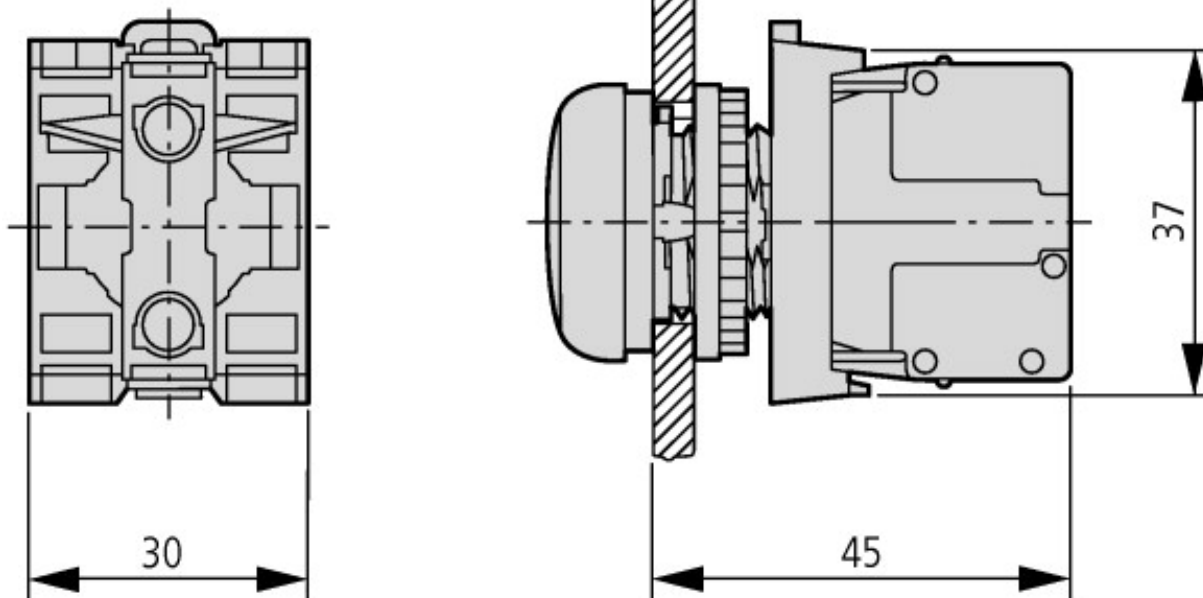
Product standards CAD data:

<http://eaton-moeller.partcommunity.com>

### Dimensions







Pushbuttons and indicator lights with M22-TC telescopic clip and M22-TCV extension

① Top-hat rail to IEC/EN 60715

### Additional product information (links)

IL04716002Z (AWA1160-1745) RMQ-Titan System	<a href="ftp://ftp.moeller.net/DOCUMENTATION/AWA_INSTRUCTIONS/IL04716002Z2011_03.pdf">ftp://ftp.moeller.net/DOCUMENTATION/AWA_INSTRUCTIONS/IL04716002Z2011_03.pdf</a>
<b>Engineering</b>	
Key to part numbers	<a href="ftp://ftp.moeller.net/DOCUMENTATION/PDF/GB/TYPENSCHLUESSEL_RM-Q-TITAN_de.pdf">ftp://ftp.moeller.net/DOCUMENTATION/PDF/GB/TYPENSCHLUESSEL_RM-Q-TITAN_de.pdf</a>
Engineering	<a href="ftp://ftp.moeller.net/DOCUMENTATION/PDF/GB/PRO_RM-Q-Titan_D_de.pdf">ftp://ftp.moeller.net/DOCUMENTATION/PDF/GB/PRO_RM-Q-Titan_D_de.pdf</a>
Ordering example for custom complete units	<a href="ftp://ftp.moeller.net/DOCUMENTATION/PDF/GB/Bestellbeispiel_F0315_COMBINATION_de.pdf">ftp://ftp.moeller.net/DOCUMENTATION/PDF/GB/Bestellbeispiel_F0315_COMBINATION_de.pdf</a>
Order form for custom complete units	<a href="ftp://ftp.moeller.net/DOCUMENTATION/PDF/GB/FORM_F0315_Combination_de.pdf">ftp://ftp.moeller.net/DOCUMENTATION/PDF/GB/FORM_F0315_Combination_de.pdf</a>