



Illum. push-butt., flush, red



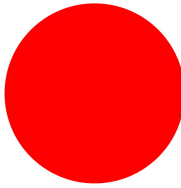
Powering Business Worldwide™

Part no.
Article no.

M22-DRL-R
216946

Bezel gold-plated → #274150

Program

Range			RMQ-Titan (drilling dimensions 22.5 mm)
Basic function			Illuminated pushbutton actuators
Single unit/Complete unit			Single unit
Design			Flush
Function			maintained
Colour			
Button plate			
Protection type			IP67, IP69K
Front ring			Front ring: titanium
Connection to SmartWire-DT			yes

Approbationen

UL approval	Yes
CSA approval	Yes
Product Standards	IEC/EN 60947-5; UL 508; CSA-C22.2 No. 14-05; CSA-C22.2 No. 94-91; CE marking
UL File No.	E29184
UL CCN	NKCR
CSA File No.	012528
CSA Class No.	3211-03
NA Certification	UL listed, CSA certified
Degree of Protection	UL/CSA Type 3R, 4X, 12, 13

General

Standards			IEC/EN 60947 VDE 0660
Lifespan, mechanical	Operations	x 10 ⁶	> 1
Operating frequency	Operations/ h		≅ 1800
Actuating force		n	≅ 5
Protection type			IP67, IP69K
Climatic proofing			Damp heat, constant to IEC 60068-2-78 Damp heat, cyclic to IEC 60068-2-30
Ambient temperature		°C	
Open		°C	- 25 - + 70
Mounting position			As required
Mechanical shock resistance		g	30 Shock duration 11 ms Sinusoidal according to IEC 60068-2-27

Technical data according to ETIM 4.0

Lens design			Round
Number of locations			1
Protection type (IP), at front			IP67
Momentary			YES
Color button			red
Hole diameter		mm	22
Width of opening		mm	22
Design of button			flush

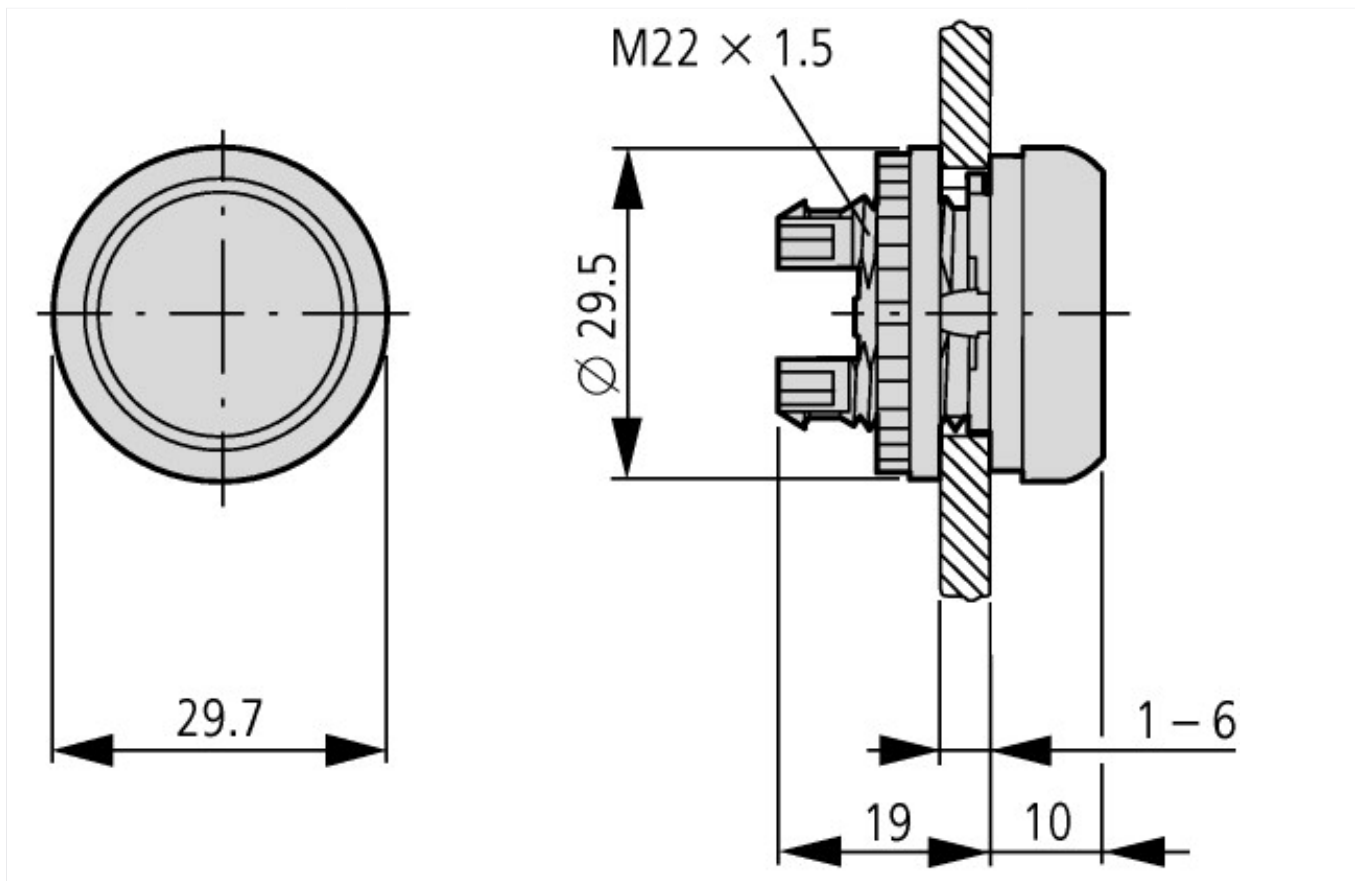
Color bezel		Chrome
With bezel		YES
Height meter opening	mm	6
Switching function latching		YES
Suitable for illumination		YES
Material front ring		Insulated material

CAD-Data

Product standards CAD data:

<http://eaton-moeller.partcommunity.com>

Dimensions



Additional product information (links)

IL04716002Z (AWA1160-1745) RMQ-Titan System	ftp://ftp.moeller.net/DOCUMENTATION/AWA_INSTRUCTIONS/IL04716002Z2011_03.pdf
Engineering	
Key to part numbers	ftp://ftp.moeller.net/DOCUMENTATION/PDF/GB/TYPENSCHLUESSEL_RM-Q-TITAN_de.pdf
Engineering	ftp://ftp.moeller.net/DOCUMENTATION/PDF/GB/PRO_RMQTitan_D_de.pdf
Ordering example for custom complete units	ftp://ftp.moeller.net/DOCUMENTATION/PDF/GB/Bestellbeispiel_F0315_COMBINATION_de.pdf
Order form for custom complete units	ftp://ftp.moeller.net/DOCUMENTATION/PDF/GB/FORM_F0315_Combination_de.pdf