



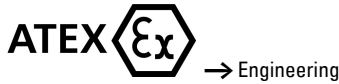
Sel.switch,3 pos.,inscript.



Powering Business Worldwide™


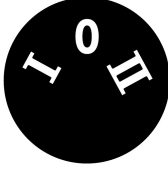
Part no.  
Article no.

M22-WR3  
216863



Front ring gold-plated, →#274150


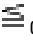
### Program

|                            |  |  |  |
|----------------------------|--|--|--|
| Range                      |  |  | RMQ-Titan (drilling dimensions 22.5 mm)  |
| Basic function             |  |  | Selector switch actuators  |
| Single unit/Complete unit  |  |  | Single unit  |
| Description                |  |  | 3 positions (with plunger bridge engineering)  |
| Function                   |  |  | maintained<br><br>left: 60°<br>right: 60° |
| Design                     |  |  | With rotary head   |
| Button plate               |  |  |    |
| Front ring                 |  |  | Front ring: titanium   |
| Connection to SmartWire-DT |  |  | yes  |

### Approbationen

|                      |  |
|----------------------|--|
| UL approval          | Yes  |
| CSA approval         | Yes  |
| Product Standards    | IEC/EN 60947-5; UL 508; CSA-C22.2 No. 14-05; CSA-C22.2 No. 94-91; CE marking |
| UL File No.          | E29184   |
| UL CCN               | NKCR   |
| CSA File No.         | 012528   |
| CSA Class No.        | 3211-03  |
| NA Certification     | UL listed, CSA certified   |
| Degree of Protection | UL/CSA Type 3R, 4X, 12, 13   |

### General

|   |                  |                      |  |
|---|------------------|----------------------|--|
| Standards                                 |                  |                      | IEC/EN 60947<br>VDE 0660   |
| Lifespan, mechanical                      | Operations       | x<br>10 <sup>6</sup> | > 0.1  |
| Operating frequency                       | Operations/<br>h |                      |  2000 |
| Operating torque (screw terminals)        |                  | Nm                   |  0.3  |
| Protection type                           |                  |                      | IP66   |
| Climatic proofing                         |                  |                      | Damp heat, constant to IEC 60068-2-78<br>Damp heat, cyclic to IEC 60068-2-30             |
| Ambient temperature                       |                  | °C                   |  |
| Open                                      |                  | °C                   | - 25 - + 70  |
| Storage                                   |                  | °C                   | - 40 - + 80  |
| Mounting position                         |                  |                      | As required  |
| Mechanical shock resistance               |                  | g                    | 30<br>Shock duration 11 ms<br>Sinusoidal<br>according to IEC 60068-2-27                  |
| Indoor and protected outdoor installation |                  |                      |  |

### Technical data according to ETIM 4.0

|                           |  |  |        |
|---------------------------|--|--|--------|
| Color bezel               |  |  | Chrome |
| Suitable for illumination |  |  | No     |

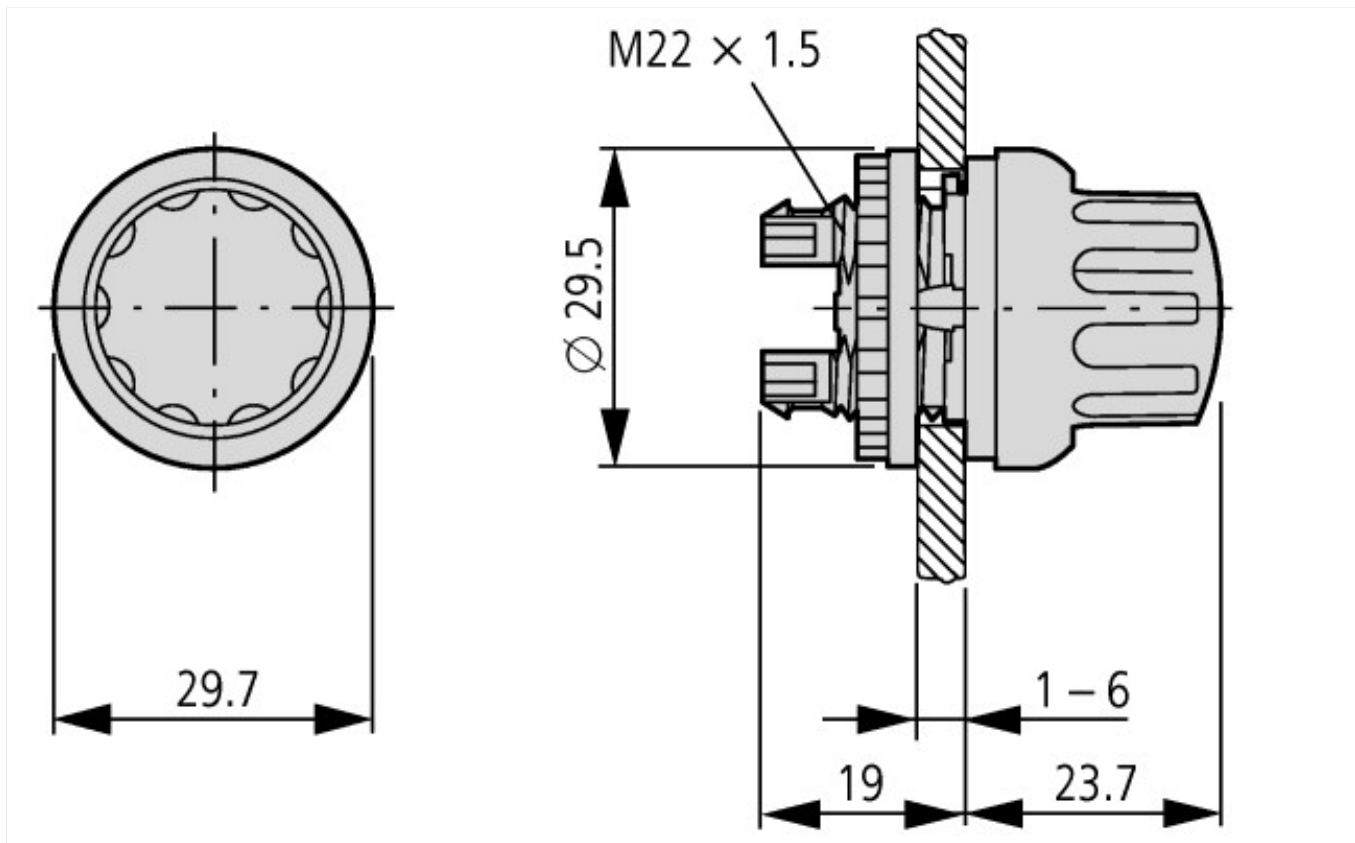
|                                |  |    |                    |
|--------------------------------|--|----|--------------------|
| Lens design                    |  |    | Round              |
| Protection type (IP), at front |  |    | IP66               |
| Material front ring            |  |    | Insulated material |
| Momentary                      |  |    | No                 |
| Number of switch positions     |  |    | 3                  |
| Color actuator                 |  |    | black              |
| Hole diameter                  |  | mm | 22                 |
| With bezel                     |  |    | YES                |
| Width of opening               |  | mm | 22                 |
| Height meter opening           |  | mm | 6                  |

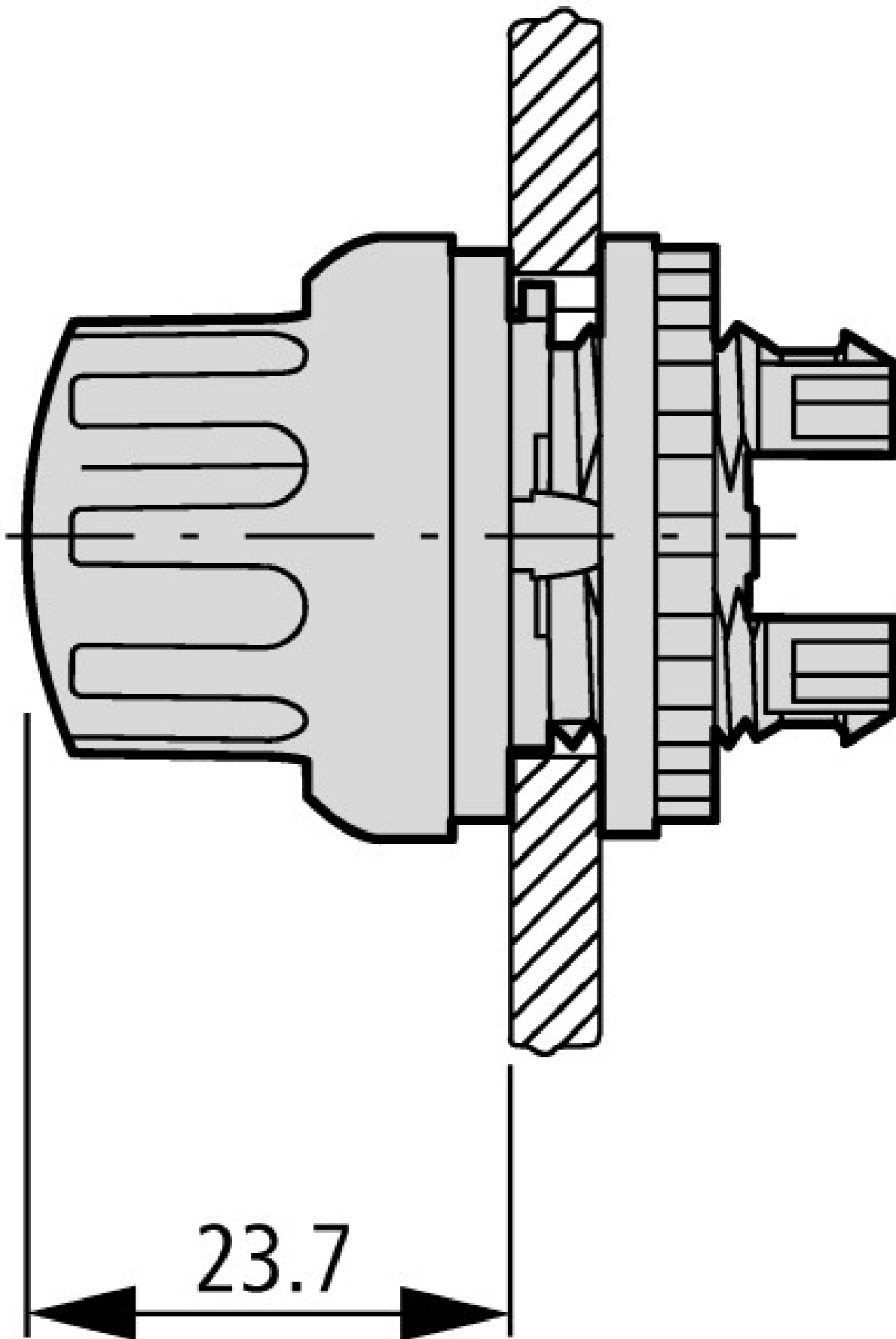
### CAD-Data

Product standards CAD data:

<http://eaton-moeller.partcommunity.com>

### Dimensions





#### Additional product information (links)

|   |   |
|---|---|
| IL04716002Z (AWA1160-1745) RMQ-Titan System | <a href="ftp://ftp.moeller.net/DOCUMENTATION/AWA_INSTRUCTIONS/IL04716002Z2011_03.pdf">ftp://ftp.moeller.net/DOCUMENTATION/AWA_INSTRUCTIONS/IL04716002Z2011_03.pdf</a>                 |
| <b>Engineering</b>                          |   |
| Key to part numbers                         | <a href="ftp://ftp.moeller.net/DOCUMENTATION/PDF/GB/TYPENSCHLUESSEL_RMQ-TITAN_de.pdf">ftp://ftp.moeller.net/DOCUMENTATION/PDF/GB/TYPENSCHLUESSEL_RMQ-TITAN_de.pdf</a>                 |
| Engineering                                 | <a href="ftp://ftp.moeller.net/DOCUMENTATION/PDF/GB/PRO_RMQTitan_D_de.pdf">ftp://ftp.moeller.net/DOCUMENTATION/PDF/GB/PRO_RMQTitan_D_de.pdf</a>                                       |
| Ordering example for custom complete units  | <a href="ftp://ftp.moeller.net/DOCUMENTATION/PDF/GB/Bestellbeispiel_F0315_COMBINATION_de.pdf">ftp://ftp.moeller.net/DOCUMENTATION/PDF/GB/Bestellbeispiel_F0315_COMBINATION_de.pdf</a> |
| Order form for custom complete units        | <a href="ftp://ftp.moeller.net/DOCUMENTATION/PDF/GB/Form_F0315_Combination_de.pdf">ftp://ftp.moeller.net/DOCUMENTATION/PDF/GB/Form_F0315_Combination_de.pdf</a>                       |

