



Legend plate label mount

Part no. **M22S-ST-GB0**

Article no. **216494**



Powering Business Worldwide™

30 x 50 mm, round, black (RAL 9005)

Program

| | | | |
|----------------------------|--|----|---|
| Range | | | RMQ-Titan (drilling dimensions 22.5 mm) |
| Basic function | | | Accessories |
| Single unit/Complete unit | | | Single unit |
| Width | | mm | 30 |
| Height | | mm | 50 |
| Design | | | Round |
| Colour | | | Black |
| RAL Value | | | RAL 9005 |
| Inscription | | | STOP |
| Protection type | | | IP66 |
| Front ring | | | Front ring: black |
| Connection to SmartWire-DT | | | no |

Approbationen

| | |
|----------------------|----------------------------|
| UL approval | N |
| CSA approval | N |
| Degree of Protection | UL/CSA Type 3R, 4X, 12, 13 |

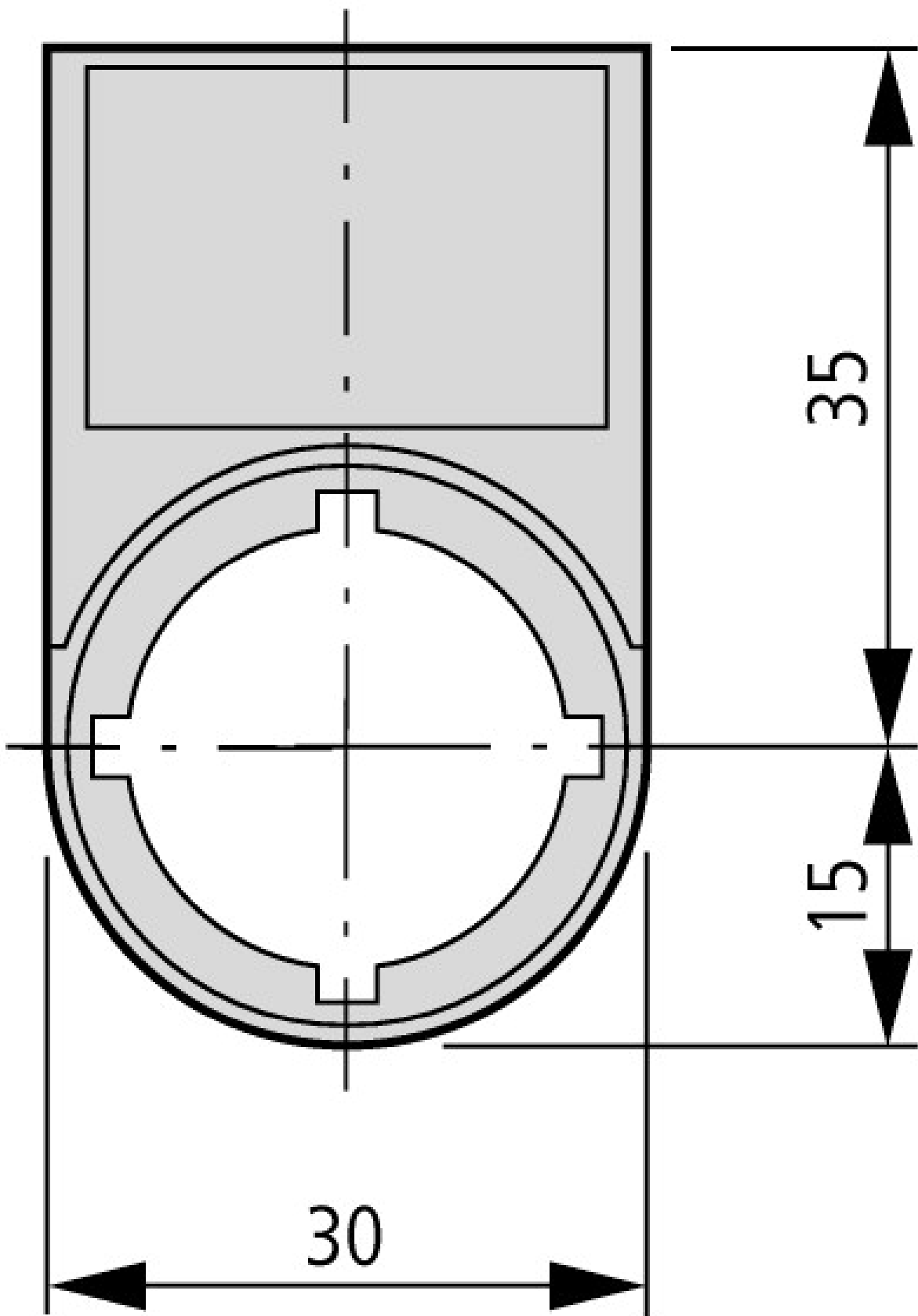
Technical data according to ETIM 4.0

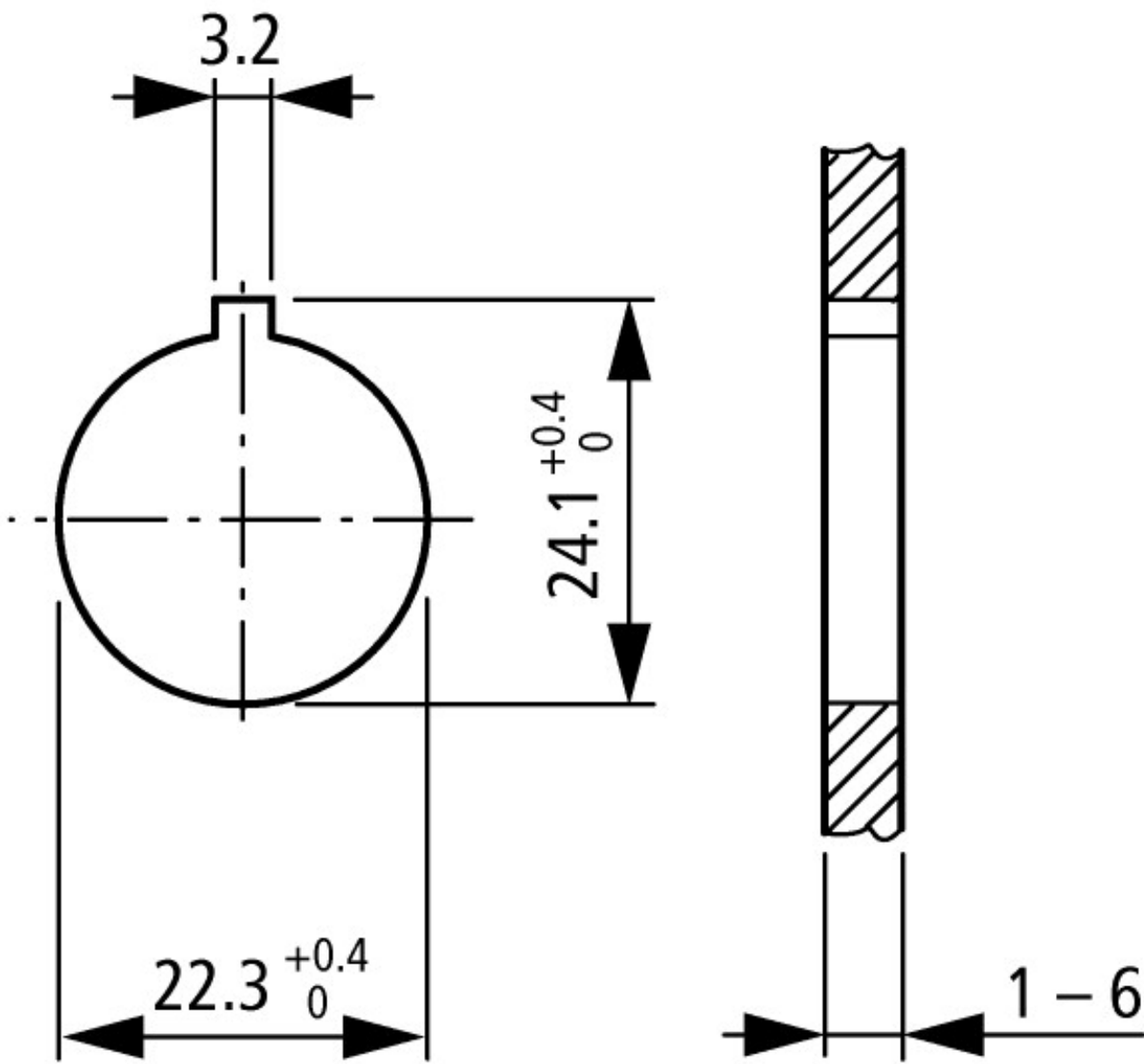
| | | | |
|----------------------|--|----|-------------|
| Hole diameter | | mm | 22 |
| Height | | mm | 50 |
| Width | | mm | 30 |
| Form | | | Rectangular |
| Color | | | black |
| Height meter opening | | mm | 0 |
| Width of opening | | mm | 22 |

CAD-Data

Product standards CAD data: <http://eaton-moeller.partcommunity.com>

Dimensions





Mounting hole with lug slot

Actuating and indicator elements

Additional product information (links)

IL04716002Z (AWA1160-1745) RMQ-Titan System

ftp://ftp.moeller.net/DOCUMENTATION/AWA_INSTRUCTIONS/IL04716002Z2011_03.pdf

Engineering

Key to part numbers

ftp://ftp.moeller.net/DOCUMENTATION/PDF/GB/TYPENSCHLUESSEL_RM-Q-TITAN_de.pdf

Engineering

ftp://ftp.moeller.net/DOCUMENTATION/PDF/GB/PRO_RMQTitan_D_de.pdf

Ordering example for custom complete units

ftp://ftp.moeller.net/DOCUMENTATION/PDF/GB/Bestellbeispiel_F0315_COMBINATION_de.pdf

Order form for custom complete units

ftp://ftp.moeller.net/DOCUMENTATION/PDF/GB/FORM_F0315_Combination_de.pdf