



## Legend plate mount, without plate



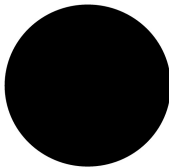
Powering Business Worldwide™

**Part no.**  
**Article no.**

**M22S-ST-X**  
**216392**

Round, black (RAL 9005), 30 mm wide

### Program

Range			RMQ-Titan (drilling dimensions 22.5 mm)
Basic function			Accessories
Single unit/Complete unit			Single unit
Width		mm	30
Height		mm	50
Design			Round
Colour			
			Black
RAL Value			RAL 9005
			
Protection type			IP66
Front ring			Front ring: black
Connection to SmartWire-DT			no
<b>Notes</b>			
			Cannot be used for M22(S)-PV...

### Approbationen

UL approval	N
CSA approval	N
Degree of Protection	UL/CSA Type 3R, 4X, 12, 13

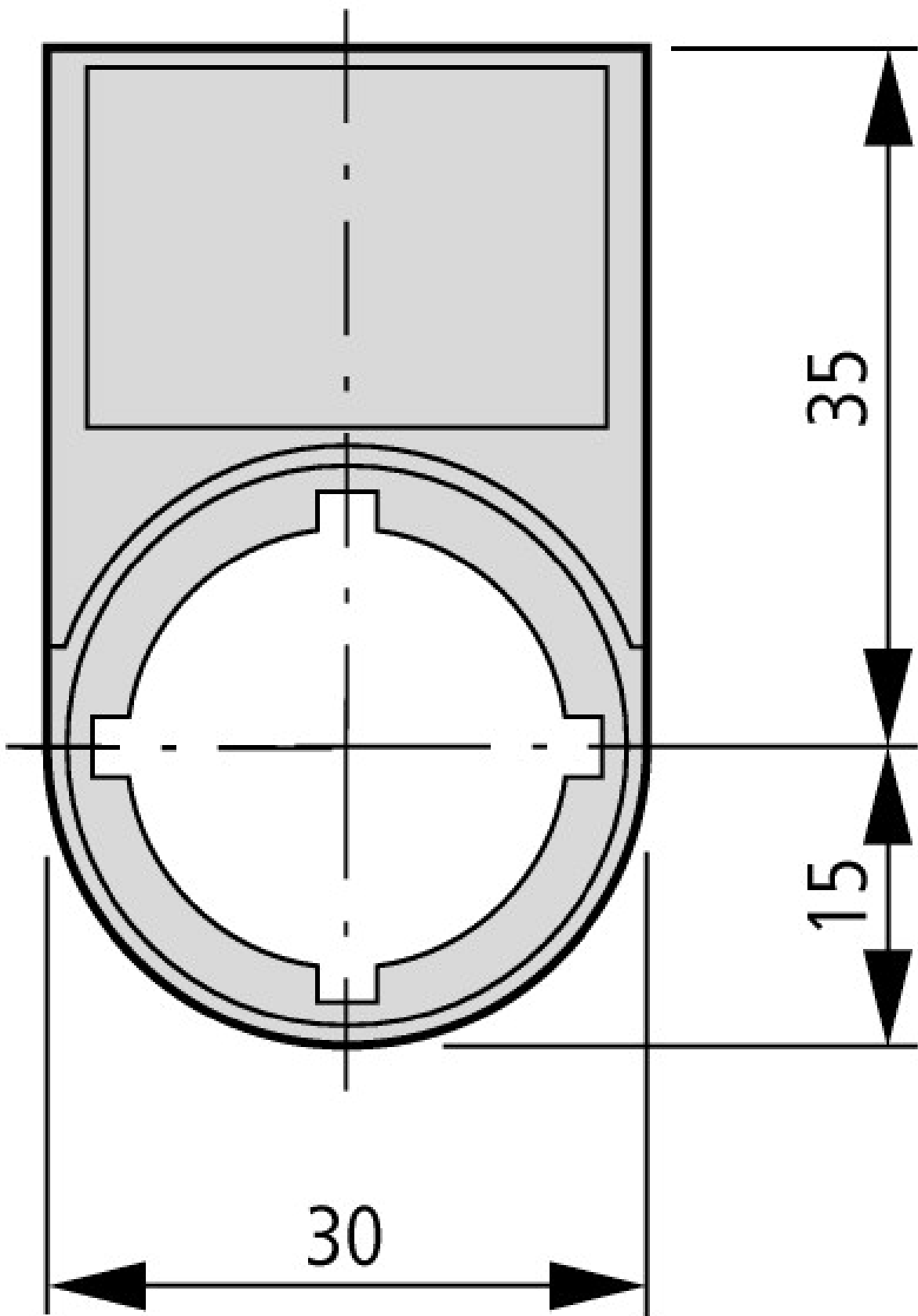
### Technical data according to ETIM 4.0

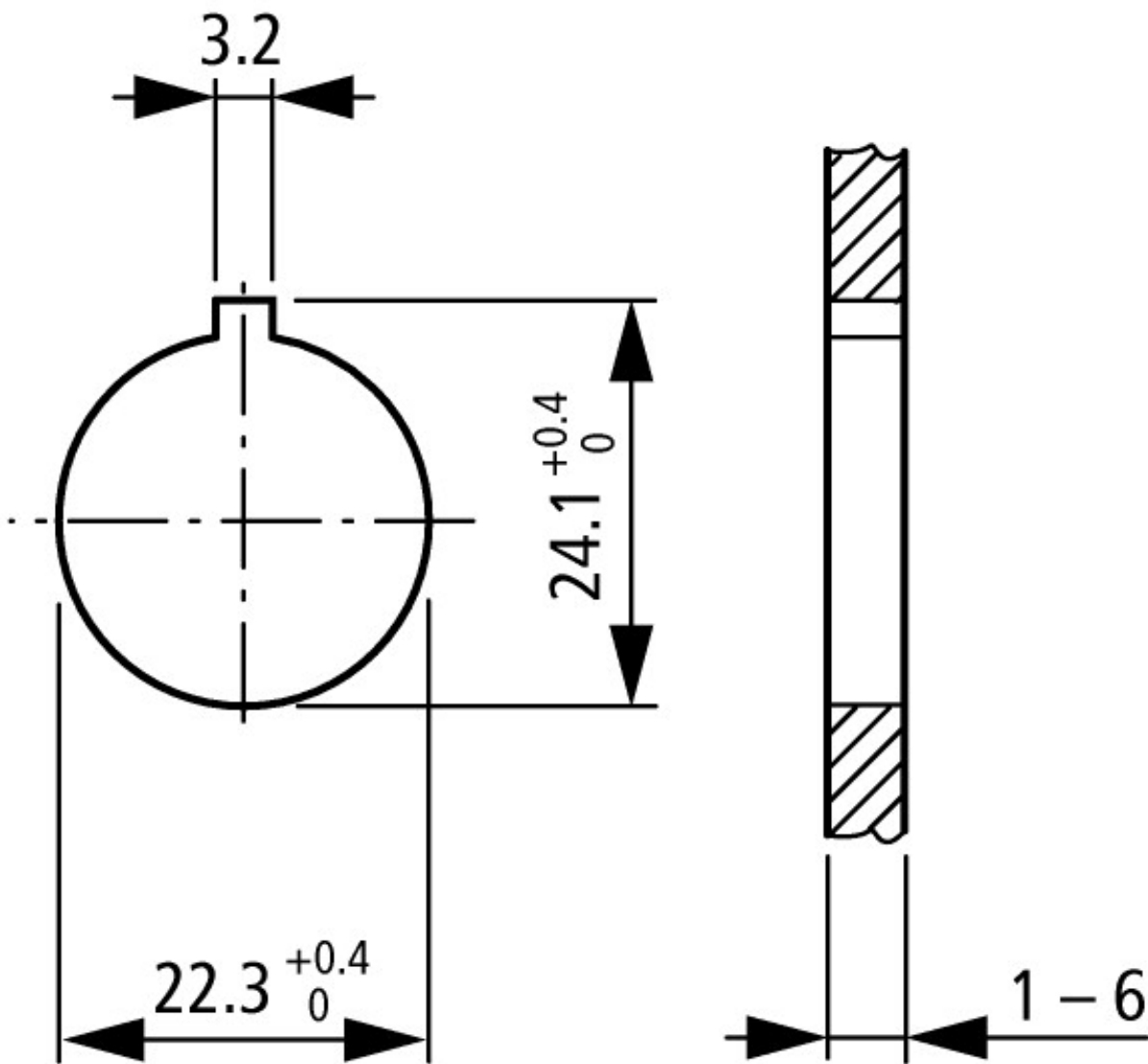
Hole diameter		mm	22
Height		mm	50
Width		mm	30
Form			Rectangular
Color			black
Height meter opening		mm	0
Width of opening		mm	22

### CAD-Data

Product standards CAD data: <http://eaton-moeller.partcommunity.com>

### Dimensions





Mounting hole with lug slot

Actuating and indicator elements

### Additional product information (links)

IL04716002Z (AWA1160-1745) RMQ-Titan System

[ftp://ftp.moeller.net/DOCUMENTATION/AWA\\_INSTRUCTIONS/IL04716002Z2011\\_03.pdf](ftp://ftp.moeller.net/DOCUMENTATION/AWA_INSTRUCTIONS/IL04716002Z2011_03.pdf)

#### Engineering

Key to part numbers

[ftp://ftp.moeller.net/DOCUMENTATION/PDF/GB/TYPENSCHLUESSEL\\_RM-Q-TITAN\\_de.pdf](ftp://ftp.moeller.net/DOCUMENTATION/PDF/GB/TYPENSCHLUESSEL_RM-Q-TITAN_de.pdf)

Engineering

[ftp://ftp.moeller.net/DOCUMENTATION/PDF/GB/PRO\\_RM-Q-Titan\\_D\\_de.pdf](ftp://ftp.moeller.net/DOCUMENTATION/PDF/GB/PRO_RM-Q-Titan_D_de.pdf)

Ordering example for custom complete units

[ftp://ftp.moeller.net/DOCUMENTATION/PDF/GB/Bestellbeispiel\\_F0315\\_COMBINATION\\_de.pdf](ftp://ftp.moeller.net/DOCUMENTATION/PDF/GB/Bestellbeispiel_F0315_COMBINATION_de.pdf)

Order form for custom complete units

[ftp://ftp.moeller.net/DOCUMENTATION/PDF/GB/Form\\_F0315\\_Combination\\_de.pdf](ftp://ftp.moeller.net/DOCUMENTATION/PDF/GB/Form_F0315_Combination_de.pdf)