



Emerg.stop/switch.off key release MS1



Powering Business Worldwide™

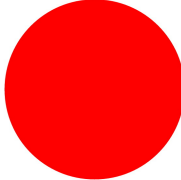

Part no. M22-PVS
Article no. 216879

with 1 key

Release by using the key



Program

Range			RMQ-Titan (drilling dimensions 22.5 mm)
Basic function			Emergency stop buttons
Accessories			Emergency stop / emergency switching off pushbutton
Description			Individual lock mechanism MS1 Not suitable for master key systems
Construction type			Mushroom-shaped
Illumination			Without illumination
Diameter		mm	38
Colour mushroom head			Red
Colour mushroom head			
RAL Value			RAL 3000
Front ring			Bezel: Silver
Information about equipment supplied			With one key
Connection to SmartWire-DT			yes
Instructions			Release by turning with key
Notes			

Approbationen

UL approval	Yes
CSA approval	Yes
Product Standards	IEC/EN 60947-5; UL 508; CSA-C22.2 No. 14-05; CSA-C22.2 No. 94-91; CE marking
UL File No.	E29184
UL CCN	NKCR
CSA File No.	012528
CSA Class No.	3211-03
NA Certification	UL listed, CSA certified
Degree of Protection	UL/CSA Type 3R, 4X, 12, 13

General

Standards			IEC/EN 60947 VDE 0660
Lifespan, mechanical	Operations	x 10 ⁶	> 0.1
Operating frequency	Operations/ h		≦ 600
Actuating force		n	50
Protection type			IP67, IP69K
Climatic proofing			Damp heat, constant to IEC 60068-2-78 Damp heat, cyclic to IEC 60068-2-30
Ambient temperature		°C	

Open		°C	- 25 - + 70
Mounting position			As required
Mechanical shock resistance		g	50 Shock duration 11 ms Sinusoidal according to IEC 60068-2-27

Technical data according to ETIM 4.0

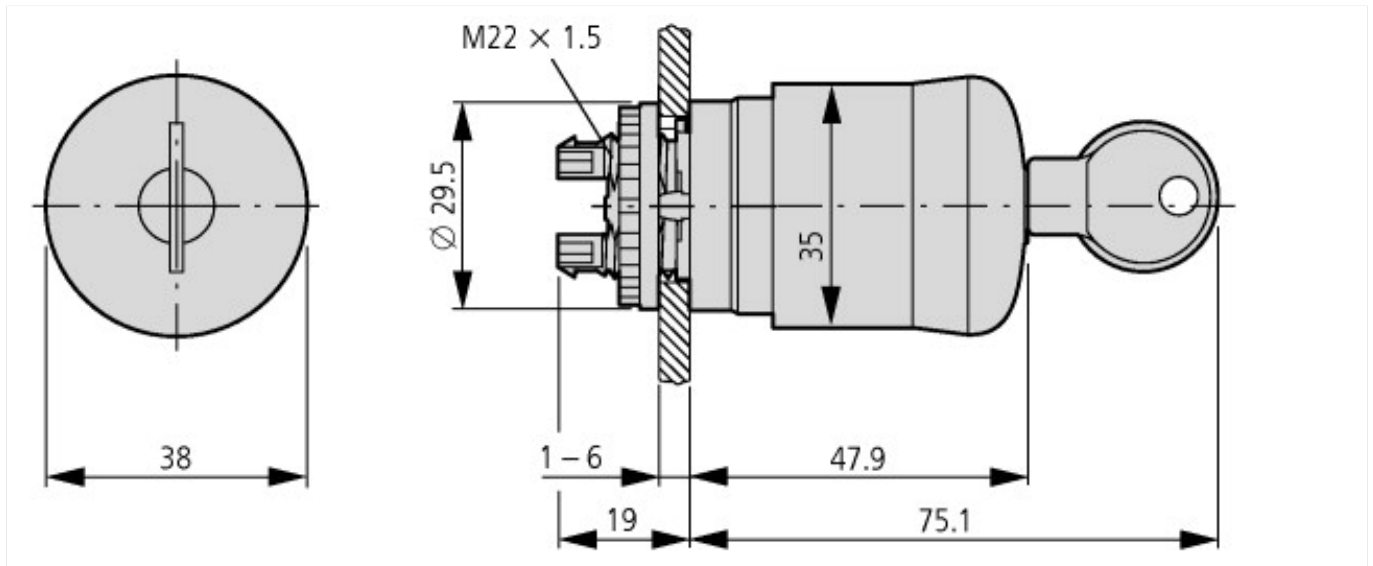
With bezel			No
Unlocking method			Key-release
Lens design			Round
Suitable for illumination			No
Hole diameter		mm	22
Suitable for emergency switching off			YES
Color button			red
Color bezel			Chrome
Width of opening		mm	22
Height meter opening		mm	6
Protection type (IP)			IP67
Material front ring			Insulated material
Diameter cap		mm	38
Momentary			No
Switching function latching			YES
Design of button			flush

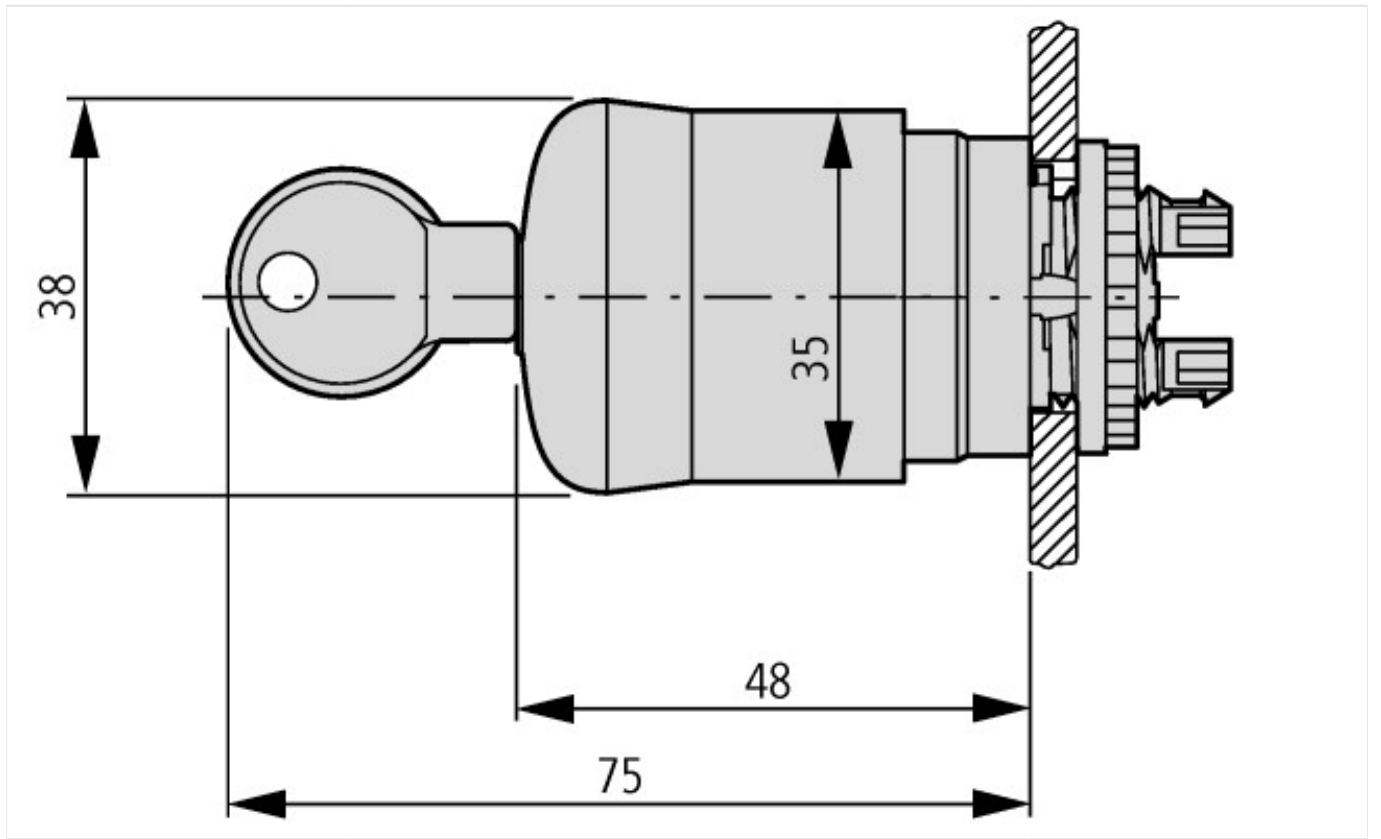
CAD-Data

Product standards CAD data:

<http://eaton-moeller.partcommunity.com>

Dimensions





Additional product information (links)

IL04716002Z (AWA1160-1745) RMQ-Titan System	ftp://ftp.moeller.net/DOCUMENTATION/AWA_INSTRUCTIONS/IL04716002Z2011_03.pdf
Engineering	
Key to part numbers	ftp://ftp.moeller.net/DOCUMENTATION/PDF/GB/TYPENSCHLUESSEL_RM-Q-TITAN_de.pdf
Engineering	ftp://ftp.moeller.net/DOCUMENTATION/PDF/GB/PRO_RMQTitan_D_de.pdf
Ordering example for custom complete units	ftp://ftp.moeller.net/DOCUMENTATION/PDF/GB/Bestellbeispiel_F0315_COMBINATION_de.pdf
Order form for custom complete units	ftp://ftp.moeller.net/DOCUMENTATION/PDF/GB/FORM_F0315_Combination_de.pdf
Master key system order form	ftp://ftp.moeller.net/DOCUMENTATION/PDF/GB/FORM_F0276_Schliessenanlagen_de.pdf