



FAK complete unit emergency-stop



Powering Business Worldwide™

Part no. FAK-R/V/KC11/IY

Article no. 229748

Pull to release

Pull to release

Emergency stop pushbutton tamper-proof to ISO 13850/EN 418

Enclosure base: black (RAL 9005)

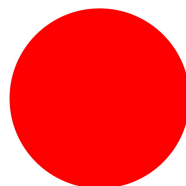
Operator only yellow (RAL 1004)



totally insulated

Program

Mark of conformity 2			
Range			Foot and palm switches
Basic function			Basic devices
Single unit/Complete unit			Complete unit
Function			maintained
Farbe Gehäuse			Enclosure base RAL 9005, black Operator only RAL 1004, yellow
Description			Pull to release Emergency stop pushbutton tamper-proof to ISO 13850/EN 418
Auxiliary contacts: = safety function, by positive opening to IEC/EN 60947-5-1			
N/O = Normally open			1 N/O
N/C = Normally closed			1 N/C
Contact sequence			
Colour of mushroom head, indicator light			Red



Connection to SmartWire-DT

no




Approval 

Approbationen

UL approval	Yes
CSA approval	Yes
Product Standards	IEC/EN 60947-5; UL 508; CSA-C22.2 No. 14-05; CSA-C22.2 No. 94-91; CE marking
UL File No.	E29184
UL CCN	NKCR
CSA File No.	012528
CSA Class No.	3211-03
NA Certification	UL listed, CSA certified
Degree of Protection	UL/CSA Type 3R, 4X, 12, 13

General

Lifespan, mechanical	Operations	x 10 ⁶	> 0.1
Operating frequency	Operations/ h		 600
Actuating force		N	40 - 60
Degree of protection, IEC/EN 60529			IP67, IP69K
Climatic proofing			Damp heat, constant to IEC 60068-2-78 Damp heat, cyclic to IEC 60068-2-30
Ambient temperature		°C	
Open		°C	- 25 - + 40
Mounting position			As required
Mechanical shock resistance		g	> 15 Shock duration 11 ms Sinusoidal according to IEC 60068-2-27

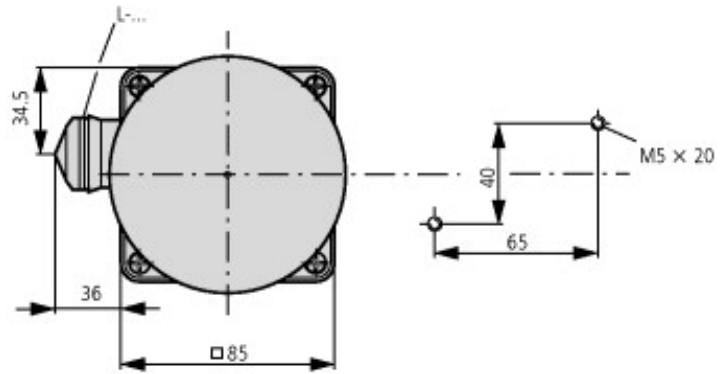
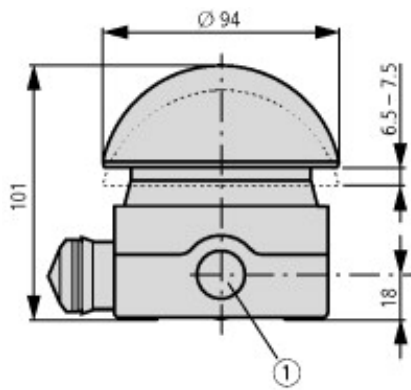
Technical data according to ETIM 4.0

Protection type (IP)			IP65/IP67
Momentary			No
Color of cap			red
Unlocking method			Pull release
Hole diameter		mm	22

CAD-Data

Product standards CAD data: <http://eaton-moeller.partcommunity.com>

Dimensions



3 x M20 (PG 13.5) on the side
1 x M16 in the base

Additional product information (links)

AWA1160-1467 (IL04716017Z) Foot and palm switches	ftp://ftp.moeller.net/DOCUMENTATION/AWA_INSTRUCTIONS/14670201.pdf
AWA1160-1696 (IL04716006Z) Indicator light	ftp://ftp.moeller.net/DOCUMENTATION/AWA_INSTRUCTIONS/16961098.pdf
Engineering	
Key to part numbers	ftp://ftp.moeller.net/DOCUMENTATION/PDF/GB/TYPENSCHLUESSEL_RM0-TITAN_de.pdf
Engineering	ftp://ftp.moeller.net/DOCUMENTATION/PDF/GB/PRO_RM0Titan_D_de.pdf
Ordering example for custom complete units	ftp://ftp.moeller.net/DOCUMENTATION/PDF/GB/Bestellbeispiel_F0315_COMBINATION_de.pdf
Order form for custom complete units	ftp://ftp.moeller.net/DOCUMENTATION/PDF/GB/FORM_F0315_Combination_de.pdf