



FAK complete unit



Powering Business Worldwide™

Part no.

FAK-R/KC11/I

Article no.

229746



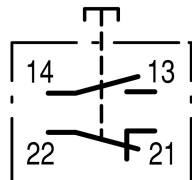
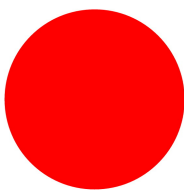
Enclosure base: black (RAL 9005)

Enclosure top: light grey (RAL 7035)



totally insulated

Program

Range			Foot and palm switches
Basic function			Basic devices
Single unit/Complete unit			Complete unit
Function			momentary
Farbe Gehäuse			Enclosure base RAL 9005, black Operator only RAL 7035, light gray
Auxiliary contacts:  = safety function, by positive opening to IEC/EN 60947-5-1			
N/O = Normally open			1 N/O
N/C = Normally closed			1 N/C 
Contact sequence			
Colour of mushroom head, indicator light			Red
			
Connection to SmartWire-DT			no



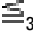
Approval 

Approbationen

UL approval
 CSA approval
 Product Standards
 UL File No.
 UL CCN
 CSA File No.
 CSA Class No.
 NA Certification
 Degree of Protection

Yes
 Yes
 IEC/EN 60947-5; UL 508; CSA-C22.2 No. 14-05; CSA-C22.2 No. 94-91; CE marking
 E29184
 NKCR
 012528
 3211-03
 UL listed, CSA certified
 UL/CSA Type 3R, 4X, 12, 13

General

Lifespan, mechanical	Operations	x 10 ⁶	> 1
Operating frequency	Operations/ h		 3600
Actuating force		N	20 - 40
Degree of protection, IEC/EN 60529			IP67, IP69K
Climatic proofing			Damp heat, constant to IEC 60068-2-78 Damp heat, cyclic to IEC 60068-2-30
Ambient temperature		°C	
Open		°C	- 25 - + 40
Mounting position			As required
Mechanical shock resistance		g	> 15 Shock duration 11 ms Sinusoidal according to IEC 60068-2-27

Technical data according to ETIM 4.0

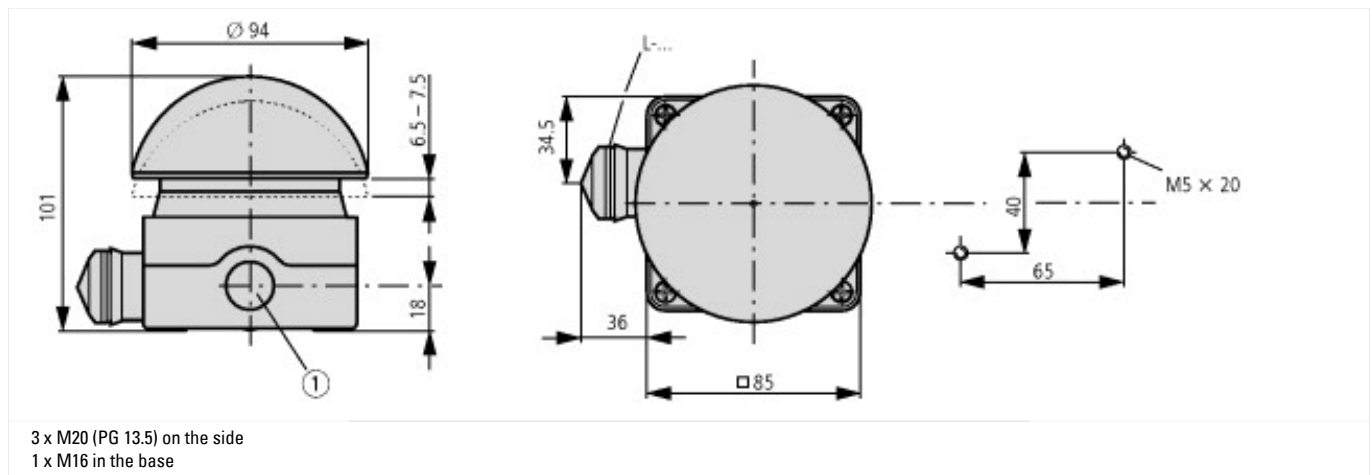
Protection type (IP)			IP65/IP67
Momentary			YES
Color of cap			red
Unlocking method			-
Hole diameter		mm	22

CAD-Data

Product standards CAD data:

<http://eaton-moeller.partcommunity.com>

Dimensions



Additional product information (links)

AWA1160-1467 (IL04716017Z) Foot and palm switches	ftp://ftp.moeller.net/DOCUMENTATION/AWA_INSTRUCTIONS/14670201.pdf
AWA1160-1696 (IL04716006Z) Indicator light	ftp://ftp.moeller.net/DOCUMENTATION/AWA_INSTRUCTIONS/16961098.pdf
Engineering	
Key to part numbers	ftp://ftp.moeller.net/DOCUMENTATION/PDF/GB/TYPENSCHLUESSEL_RM0-TITAN_de.pdf
Engineering	ftp://ftp.moeller.net/DOCUMENTATION/PDF/GB/PRO_RM0Titan_D_de.pdf
Ordering example for custom complete units	ftp://ftp.moeller.net/DOCUMENTATION/PDF/GB/Bestellbeispiel_F0315_COMBINATION_de.pdf
Order form for custom complete units	ftp://ftp.moeller.net/DOCUMENTATION/PDF/GB/Form_F0315_Combination_de.pdf

