

Analog trimmer FX_{1N}-8AV-BD

The analog trimmer FX_{1N}-8AV-BD is a function expansion board which is mounted to the FX_{1S}/FX_{1N} Series PLC basic unit and used as an analog timer trimmer of rotary switch.

For the specifications and handling, refer to the handy manual offered with the FX_{1S}/FX_{1N} Series PLC basic unit.

Product configuration

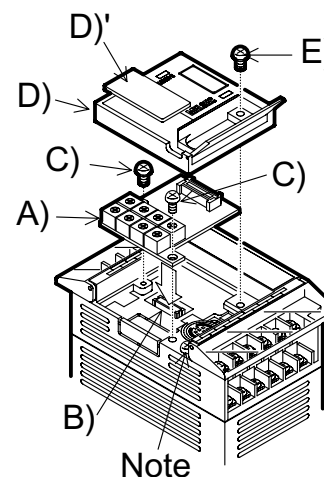
Main unit:	FX _{1N} -8AV-BD	
Accessories:	Top cover for board	1
	Tapping screw M3 to mount board	2
	Tapping screw M3 to fix top cover	1
	Trimmer layout label	1

Applicable model

FX_{1S}/FX_{1N} Series

<FX_{1N}-8AV-BD installation procedure>

Make sure to turn off the power before installing the FX_{1N}-8AV-BD.



- A) Analog trimmer FX_{1N}-8AV-BD (function expansion board)
 - B) Connector for optional equipment
 - C) Tapping screw M3 to fix board (2 pieces) (offered as accessories of board)
 - D) Top cover for board (offered as an accessory of board)
 - E) Tapping screw M3 to fix top cover (offered as an accessory of board)
- Note: This screw cannot be removed.

- Connect the analog trimmer A) to the connector for optional equipment B).
- Fix the analog trimmer to the basic unit with two tapping screws to fix board C). (Tightening torque: 0.3 to 0.6 N·m)
- Remove the top cover of the basic unit, and attach the top cover for board D) instead. During attachment, remove D)' with a nipper, etc. so that the connector of the analog trimmer is exposed.
- Fix the top cover with the tapping screw to fix top cover E). (Tightening torque: 0.3 to 0.6 N·m)

Date: March 2000
JY992D84601B

© Mitsubishi Electric