

<b>Identification</b>	Type	REI4-0441 4W DC 24 V
	Part-No.	770441
<b>Input</b>		
Input voltage range		19.2 V – 26.4 V
Nominal voltage		DC 24 V
Rated current		37.0 mA
Interrupting voltage		<2.4 V
Protection device		Overload diode
Status Indication		LED green
Power consumption		0.9 W
<b>Load Side</b>		
Contact type		4 change over contact
Min. switching voltage		AC/DC 5 V
Max. switching voltage		AC/DC 250 V
Min. switching current		AgNi: AC/DC 5 mA
Max. switching current		AC/DC 5 A
Switching capacity AC 15		at 24 V: 2.5 A, at 230 V: 1.5 A
Switching capacity DC 13		at 24 V: 1.8A, at 115 V: 300 mA, at 230 V: 150 mA
Max. switching capacity		1250 VA
Contact material		AgNi
Mechanical service life		>2 x 10 <sup>7</sup> operations

20.04.2013 – Subject to technical modification

Part-No. 770441

USA: LUTZE INC.

13330 South Ridge Drive • Charlotte, NC 28273, USA  
 Tel. +1 (704) 504-0222 • Fax +1 (704) 504-0223  
 www.lutze.com • info@lutze.com

United Kingdom: LÜTZE Ltd.

Unit 3, Sandy Hill Park  
 Sandy Way, Amington • GB-Tamworth, Staffs B77 4DU  
 Tel. +44 (0)1827 31333-0 • Fax +44 (0)1827 31333-2  
 www.lutze.com • sales.gb@lutze.co.uk



SYSTEMATIC TECHNOLOGY

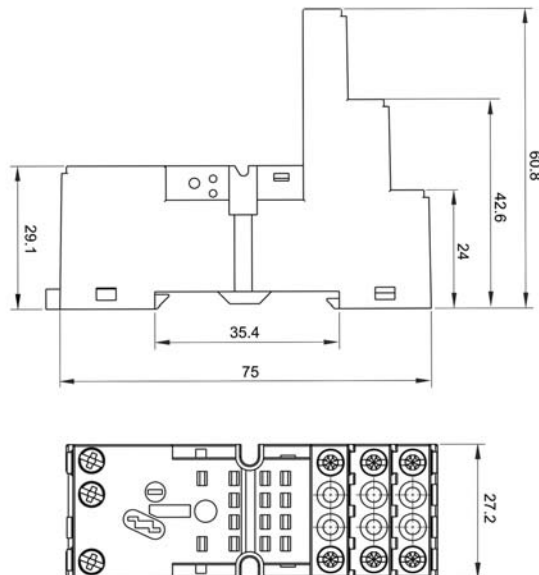
## Technical data sheet • Interface Technology

Switch-on delay	25 ms
Switch-off delay	25 ms
Clearance/creep. dist. (control/load side)	Clearance distance: > 2 mm; creepage distance: > 3mm

### General

Housing material	PA 66+GF V0 (UL)
Protection class	IP 20
Field installation	rail TS 35 (EN 50022)
Insulation voltage input/output	1.5 kV <sub>eff</sub>
Safe isolation	yes
Operation temperature range	-40 °C – 70 °C
Storage temperature range	-40 °C – 85 °C
Dimensions (w x h x d)	27.2x75.0x82.0 mm
Weight (kg/piece)	0.108
Approvals	cULus
Termination	Screw terminal: 0.2–4.0 mm <sup>2</sup>

### Dimensions



20.04.2013 – Subject to technical modification

Part-No. 770441

USA: LUTZE INC.

13330 South Ridge Drive • Charlotte, NC 28273, USA  
Tel. +1 (704) 504-0222 • Fax +1 (704) 504-0223  
www.lutze.com • info@lutze.com

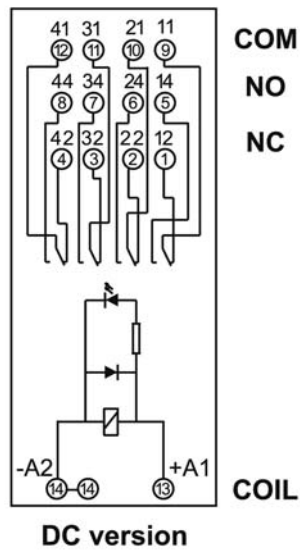
United Kingdom: LÜTZE Ltd.

Unit 3, Sandy Hill Park  
Sandy Way, Amington • GB-Tamworth, Staffs B77 4DU  
Tel. +44 (0)1827 31333-0 • Fax +44 (0)1827 31333-2  
www.lutze.com • sales.gb@lutze.co.uk



SYSTEMATIC TECHNOLOGY

PIN assignment



20.04.2013 – Subject to technical modification

Part-No. 770441

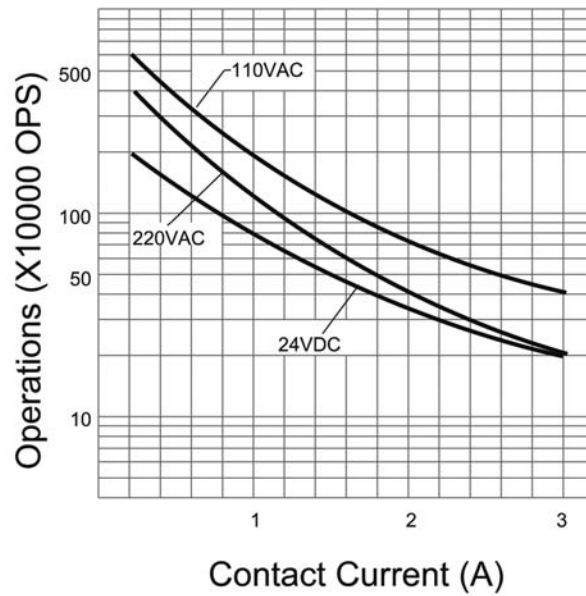
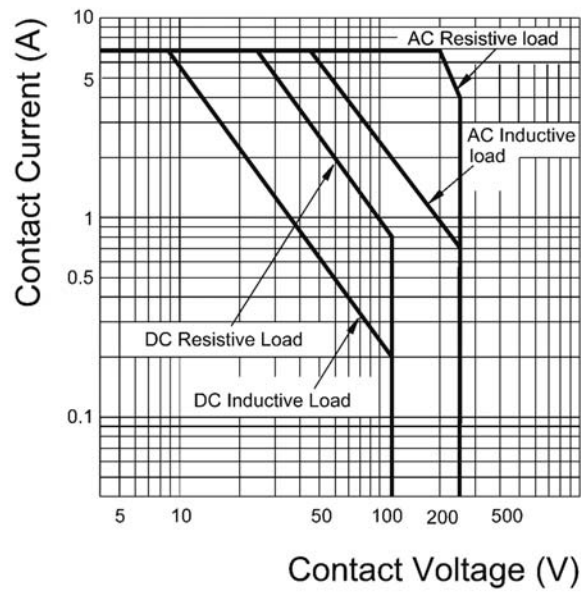
USA: LUTZE INC.

13330 South Ridge Drive • Charlotte, NC 28273, USA  
Tel. +1 (704) 504-0222 • Fax +1 (704) 504-0223  
www.lutze.com • info@lutze.com

United Kingdom: LÜTZE Ltd.

Unit 3, Sandy Hill Park  
Sandy Way, Amington • GB-Tamworth, Staffs B77 4DU  
Tel. +44 (0)1827 31333-0 • Fax +44 (0)1827 31333-2  
www.lutze.com • sales.gb@lutze.co.uk

Limit curve



Accessories

20.04.2013 – Subject to technical modification

Part-No. 770441

USA: LUTZE INC.

13330 South Ridge Drive • Charlotte, NC 28273, USA  
 Tel. +1 (704) 504-0222 • Fax +1 (704) 504-0223  
 www.lutze.com • info@lutze.com

United Kingdom: LÜTZE Ltd.

Unit 3, Sandy Hill Park  
 Sandy Way, Amington • GB-Tamworth, Staffs B77 4DU  
 Tel. +44 (0)1827 31333-0 • Fax +44 (0)1827 31333-2  
 www.lutze.com • sales.gb@lutze.co.uk



SYSTEMATIC TECHNOLOGY

## Technical data sheet - Interface Technology

---

Accessories	Colour	Article number	Type	PU
Relay socket		770905	RES4W-0905	10
Backup relay DC 12 V		770400	RE4W-0400 DC12	10
Backup relay DC 12 V HV		770420	RE4WHV-0420 DC12	10
Backup relay DC 24 V		770401	RE4W-0401 DC24	10
Backup relay DC 24 V HV		770421	RE4WHV-0421 DC24	10
Backup relay DC 110 V		770406	RE4W-0406 DC120	10
Backup relay DC 110 V HV		770426	RE4WHV-0426 DC120	10
Protecting module AC 6-24 V		770911	PM41G-0911	10
Protecting module DC 110 V		770916	PM43G-0916	10
Plate		770907	REM WT-0907	10
Jumper comb 10A	black	770909	REI-0909	10

20.04.2013 – Subject to technical modification

Part-No. 770441

USA: LUTZE INC.

13330 South Ridge Drive • Charlotte, NC 28273, USA  
Tel. +1 (704) 504-0222 • Fax +1 (704) 504-0223  
www.lutze.com • info@lutze.com

United Kingdom: LÜTZE Ltd.

Unit 3, Sandy Hill Park  
Sandy Way, Amington • GB-Tamworth, Staffs B77 4DU  
Tel. +44 (0)1827 31333-0 • Fax +44 (0)1827 31333-2  
www.lutze.com • sales.gb@lutze.co.uk



SYSTEMATIC TECHNOLOGY