



Fuse
Varioprint fuse module

Identification	Type	SIPE-4-0820 AC/DC 250 V
	Part-No.	710820
Input		
Nominal voltage	AC/DC 230 V	
Input voltage range	0.0 V – 250.0 V	
Rated current	4 × DC 6.3 A	
Fuse	Glass tube 5x20 mm, not included in delivery	
Resistor	<0.1 Ω	
Rated insulation voltage (EN 50178)	300 V	
Signal circuit		
Rated insulation voltage (EN 40178)	250 V	
General		
Operation temperature range	-20 °C – 60 °C	
Storage temperature range	-25 °C – 80 °C	
Dimensions (w × h × d)	22.5 × 77.0 × 63.0 mm	
Field installation	rail TS 35 (EN 50022)	
Protection class	IP 20	
Overvoltage category	I	
Pollution degree	2	
Weight (kg/piece)	0.070	

08.11.2013 – Subject to technical modification

Part-No. 710820

USA: LUTZE INC.

13330 South Ridge Drive • Charlotte, NC 28273, USA
Tel. +1 (704) 504-0222 • Fax +1 (704) 504-0223
www.lutze.com • info@lutze.com

United Kingdom: LÜTZE Ltd.

Unit 3, Sandy Hill Park
Sandy Way, Amington • GB-Tamworth, Staffs B77 4DU
Tel. +44 (0)1827 31333-0 • Fax +44 (0)1827 31333-2
www.lutze.com • sales.gb@lutze.co.uk

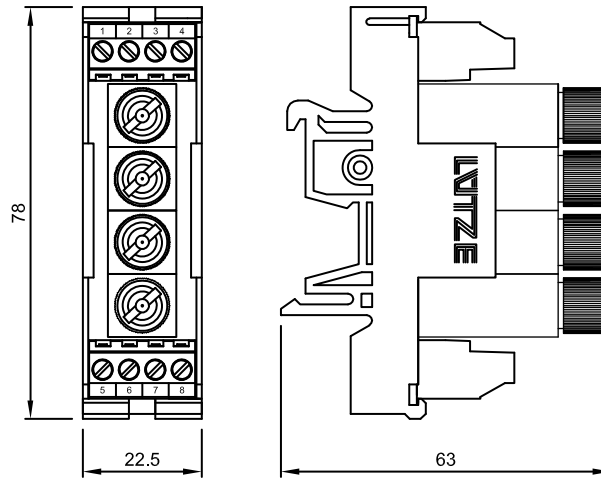


SYSTEMATIC TECHNOLOGY

Technical data sheet • Load monitoring

Termination	Screw terminal: 0.25–2.5 mm ²
Form	Varioprint
Operation temperature range	-20 °C – 60 °C

Dimensions



PIN assignment



08.11.2013 – Subject to technical modification

Part-No. 710820

USA: LUTZE INC.

13330 South Ridge Drive • Charlotte, NC 28273, USA

Tel. +1 (704) 504-0222 • Fax +1 (704) 504-0223

www.lutze.com • info@lutze.com

United Kingdom: LÜTZE Ltd.

Unit 3, Sandy Hill Park

Sandy Way, Amington • GB-Tamworth, Staffs B77 4DU

Tel. +44 (0)1827 31333-0 • Fax +44 (0)1827 31333-2

www.lutze.com • sales.gb@lutze.co.uk



SYSTEMATIC TECHNOLOGY