



Identification	Type	BOX-M12-3H8
	Part-No.	491004
Description		
	M12 Actuator sensor boxes IP 68 with LED indication 4-way, 8-way / 3-pole + PE, wireable	
Technical data		
Nominal voltage	DC 24 V	
Nominal voltage range	10 – 30	
Rated current	max. 2A per channel	
Amperage range	max. total: 10A with single power supply, 2 × 8A with dual power supply	
Number of terminations	3-pole + PE	
Slots	8-way	
Status Indication	Supply: 2 × LED green, I/O: each 1 × LED yellow	
Current Consumption per LED	< 10 mA / LED	
Coding	A	
Contact resistance	< 5 mΩ	
General		
Form	M12 × 1, connector	
Rated insulation voltage (EN 50178)	32 V	
Test voltage	1.0 kV	

14.11.2013 – Subject to technical modification

Part-No. 491004

USA: LUTZE INC.

13330 South Ridge Drive • Charlotte, NC 28273, USA
Tel. +1 (704) 504-0222 • Fax +1 (704) 504-0223
www.lutze.com • info@lutze.com

United Kingdom: LÜTZE Ltd.

Unit 3, Sandy Hill Park
Sandy Way, Amington • GB-Tamworth, Staffs B77 4DU
Tel. +44 (0)1827 31333-0 • Fax +44 (0)1827 31333-2
www.lutze.com • sales.gb@lutze.co.uk



Technical data sheet - Actuator sensor interface

Pollution degree	3
Insulation resistance	$> 10^9 \Omega$
Contact resistance	$< 5 \text{ m}\Omega$
Class of flammability according to UL 94	V0
Protection class	68, in screwed condition
Housing material	PBT grey
Contact material	CuZn, gold-plated
Thread material	CuSn nickel plated
Gasket	Viton
Cable diameter	6 – 12 mm
Storage temperature range	-40 °C – 90 °C
Operation temperature range	-20 °C – 80 °C
Temperature range cable fixed	-40 °C – 80 °C
Temperature range cable moving	-5 °C – 80 °C
Class of flammability according to UL 94	V0
Dimensions (w × h × d)	60.0 × 41.5 × 152.0 mm
Weight (kg/piece)	0.280
Termination	Screw terminal: 0.08 – 1.5 mm ²
Approvals	cURus
PU	1
C-track chain properties	Type C

C-track chain properties

C-track chain properties	Type A	Type B	Type C
Bending cycles min.	5 million	4 million	2 million
Minimum bending radius	10 × D	10 × D	10 × D
Travel distance	10 m	10 m	5 m
Acceleration	7 m/s ²	10 m/s ²	5 m/s ²
Speed	3 m/s	3 m/s	3 m/s
Conduction properties (TYPE A+B+C)	PUR halogen free for extreme demands <ul style="list-style-type: none">• Very good chemical stability• Very resistant to oils and lubricants• Very high abrasion resistance• Halogen free• Silicone free, free of paint wetting impairment substances• Resistant to microbes and hydrolysis• Good UV stability		

14.11.2013 – Subject to technical modification

Part-No. 491004

USA: LUTZE INC.

13330 South Ridge Drive • Charlotte, NC 28273, USA

Tel. +1 (704) 504-0222 • Fax +1 (704) 504-0223

www.lutze.com • info@lutze.com

United Kingdom: LÜTZE Ltd.

Unit 3, Sandy Hill Park

Sandy Way, Amington • GB-Tamworth, Staffs B77 4DU

Tel. +44 (0)1827 31333-0 • Fax +44 (0)1827 31333-2

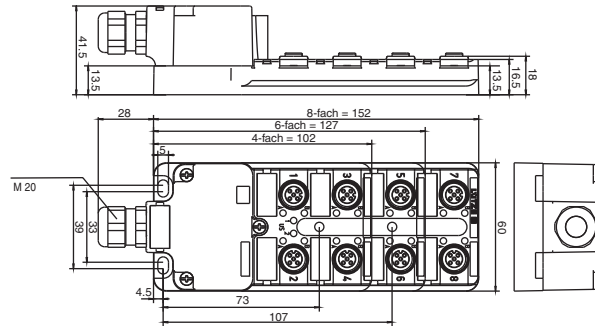
www.lutze.com • sales.gb@lutze.co.uk



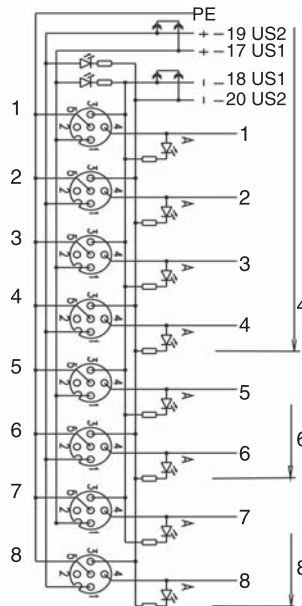
SYSTEMATIC TECHNOLOGY

Technical data sheet • Actuator sensor interface

Dimensions



PIN assignment



Logo



Accessories

Accessories	Article number	Type	PU
protective cover M12	499994	SK M12	50
T-junction M12 on 2 × M12	490026	T-connector M12/ M12	10
T-junction M12 on 2 × M8	490038	T-connector M12/ M8	10
Cable for 491002	110870	3G1.0 +4×0.34	
Cable for 491004	110872	3G1.0 8×0.34	

14.11.2013 – Subject to technical modification

Part-No. 491004

USA: LUTZE INC.

13330 South Ridge Drive • Charlotte, NC 28273, USA

Tel. +1 (704) 504-0222 • Fax +1 (704) 504-0223

www.lutze.com • info@lutze.com

United Kingdom: LÜTZE Ltd.

Unit 3, Sandy Hill Park

Sandy Way, Amington • GB-Tamworth, Staffs B77 4DU

Tel. +44 (0)1827 31333-0 • Fax +44 (0)1827 31333-2

www.lutze.com • sales.gb@lutze.co.uk



SYSTEMATIC TECHNOLOGY