

Plexo weatherproof boxes

increased depth PVC range



0921 22

0350 43

Dimensions (opposite and p. 41)

Grey RAL 7035

Operating temperature : - 20 °C to +50 °C

PVC box and cover

Self-extinguishing : 750 °C for Cat. Nos. 0350 43 and 0922 84

960 °C for Cat. Nos. 0350 58 and 0921 22

Deep weatherproof plastic industrial equipment boxes with smooth sides

Fixing options :

- inside : 4 oblong holes at back of box

- outside : cabling volume at 4 corners with Ø4 screws

- with wall mounting brackets (Cat. No. 0364 08) for 310 x 240 boxes

Option of mounting equipment on rail or on plain plate at back of box

1/4 turn opening/closing

Pack	Cat. Nos.	Weatherproof boxes – IP 55
		Nominal internal dimensions : Height x Width x Depth (mm)
		Depth 140 mm
2	0921 22	IK 07 - IP 55 220 x 170 x 140 - (1/4 turn cover fixings)
		Depth 154 mm
2	0350 43	IK 08 - IP 55 265 x 174 x 154 - (1/4 turn cover fixings with hinges)
1	0350 58	359 x 265 x 154 - (1/4 turn cover fixings with hinges)
		Depth 160 mm
1	0922 84	IK 08 - IP 55 310 x 240 x 160 - (1/4 turn cover fixings with hinges)

Accessories

Metal mounting plates

Galvanised steel - 1.5 mm thick
For PVC box size :

5	0350 90	220 x 170 mm
5	0350 92	265 x 174 mm
5	0350 93	310 x 240 mm
5	0350 94	359 x 265 mm

Set of 4 wall mounting brackets

1	0364 08	For PVC box size 310 x 240 mm only
---	---------	------------------------------------

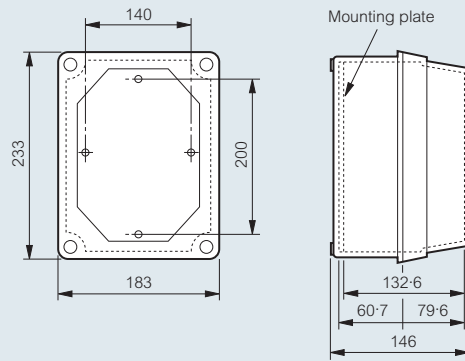
PVC boxes are not provided with side mounts for IP 2x terminals

Plexo weatherproof boxes

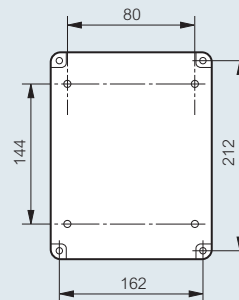
increased depth PVC range

■ Dimensions (mm)

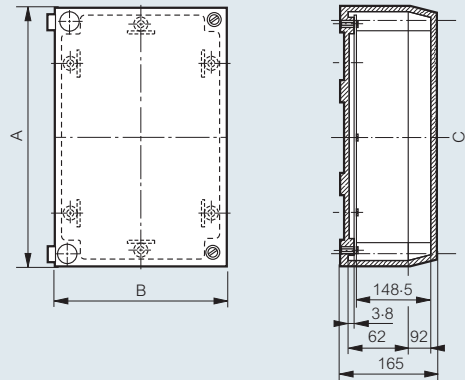
Cat. No. 0921 22



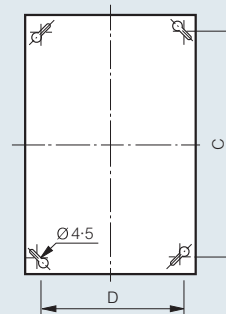
Fixing dimensions



Cat. Nos. 0350 43/58



Fixing dimensions



Cat. Nos.	Dimensions		Fixing points		Weight (kg)
	A (mm)	B (mm)	C (mm)	D (mm)	
0350 43	273	182	246	155	1.08
0350 58	367	273	340	246	1.80