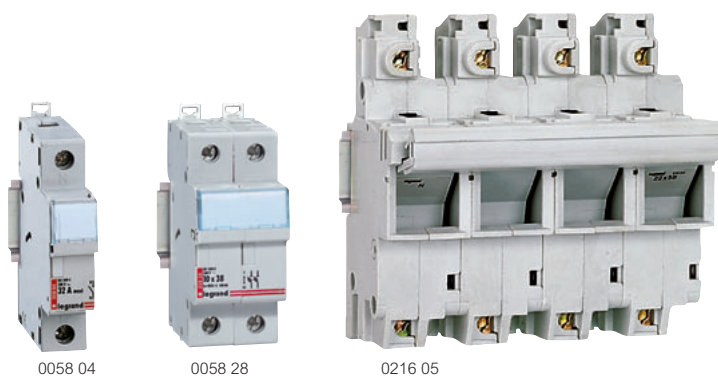


## modular fuse carriers

for industrial cylindrical cartridge fuses



Dimensions (opposite)  
Accessories (p. 90)

For HRC cylindrical fuses (see p. 91)

Pack	Cat. Nos.	Modular carriers for HRC type aM and gG fuses	
		Conform to IEC 60269-2/2-1, isolation to IEC 60947-3 Fix to DIN rail EN 60715 Equipped with label holder Padlockable using locking accessory Cat. No. 0057 99, p. 90 Shielded terminals max. capacity 2 x 10 mm <sup>2</sup> Double insulated Class II	
		Fuse size (mm)	Voltage ~ (Volts)
			No. of 17.5 mm modules
		<b>Single pole</b>	
10	0058 04	Disconnectable neutral	500
10	0058 06	8.5 x 31.5	400
10	0058 08	10 x 38	500
		<b>Single pole + Neutral</b>	
10	0058 16	8.5 x 31.5	400
10	0058 18	10 x 38	500
		<b>Double pole</b>	
5	0058 28	10 x 38	500
		<b>Triple pole</b>	
3	0058 38	10 x 38	500
		<b>Triple pole + Neutral</b>	
2	0058 48	10 x 38	500

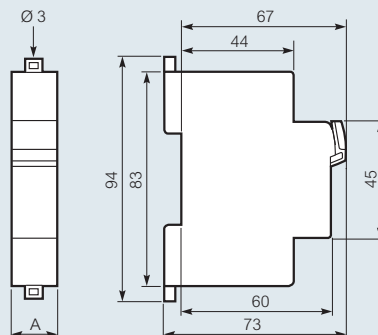
		SP fuse carriers	
		Conform to IEC 60269-2 and BS EN 60269-2 Bureau Veritas approved Height under front plate : 44 mm Fix to DIN rail EN 60715 or with screws	
		<b>SP 51 for HRC type aM and gG fuses 14 x 51</b>	
		Connection	No. of 17.5 mm modules
5	0215 01	Single pole	1.5
1	0215 03	Double pole	3
1	0215 04	Triple pole	4.5
1	0215 05	Triple pole + disconnectable neutral	6
		<b>SP 58 for HRC type aM and gG fuses 22 x 58</b>	
		Connection	No. of 17.5 mm modules
3	0216 00	Disconnectable neutral	2
3	0216 01	Single pole	2
1	0216 04	Triple pole	6
1	0216 05	Triple pole + disconnectable neutral	8

## modular fuse carriers

for industrial cylindrical cartridge fuses

### Modular fuse carriers

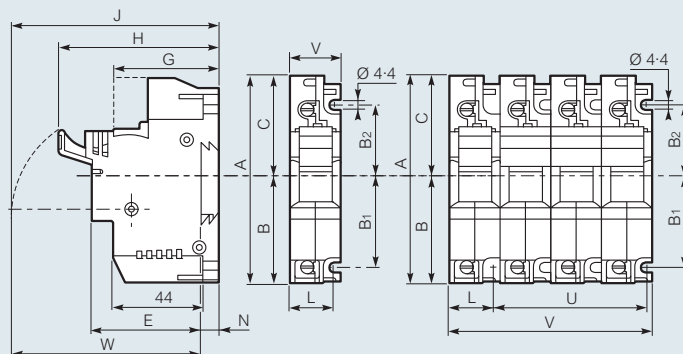
Conform to IEC 60269-2/2-1, isolation to IEC 60947-3  
Icc : 20 kA with 8.5 x 31.5 fuse  
100 kA with 10 x 38 fuse  
Operating temperature : -5 °C to +40 °C  
Mechanical resistance : IPxx 3



In mm	A
Single pole	17.7
Single pole + N	17.7
Double pole	35.5
Triple pole	53.4
Triple pole + N	71.2

### SP 51 and SP 58 fuse carriers

Conform to IEC 60269-2 and BS EN 60269-2  
Bureau Veritas approved



In mm	A	B	B <sub>1</sub>	B <sub>2</sub>	C	E	G	H 1 P	H multi.	J 1 P
SP 51	106	54.5	45	35	51.5	55	53	81	84	96
SP 58	140	74	65	45	66	59	53	87	90	111

In mm	J multi.	L	N	U 2 P	U 3 P	U 4 P	V 1 P	V 2 P	V 3 P	V 4 P	W 1 P	W multi.
SP 51	99	20.7	9	26.5	53	79.5	26.5	53	79.5	106	87	90
SP 58	114	27	9	36	72	108	36	72	108	144	101	109

### Choice of equipment

Type	Rated current	Maximum cartridge rating			
		400 V ~		500 V ~	
		gG	aM	gG	aM
SP 51	50 A	50	50	50	40
SP 58	100 A (125 A in 400 V)	125	125	100	50

Protection index : IP 2x - IP 2x C - under front plate

### Equipment derating

Justified under more severe conditions of use :

- Ambient temperature over 35 °C : derate fuse by one rating per 10 °C (UTE C 20-051)
- Side-by-side equipment in simultaneous function

2 or 3 devices	0.9 x I <sub>n</sub>
4 or 5 devices	0.8 x I <sub>n</sub>
6, 7, 8 or 9 devices	0.7 x I <sub>n</sub>
≥ 10 devices	0.6 x I <sub>n</sub>

This coefficient is to be applied on the nominal rating of the base (IEC 60439-1)  
Continuous operation : it may be necessary to upgrade the bases by one size

### Modular protective terminal shield mounting

(see p. 90)

