

Sonos Sounder (DC)

A general purpose electronic sounder for fire, security and industrial applications; the Sonos Sounder is certified to EN54.

With the TimeSaver base, connections are made to the base during the initial wiring phase which results in faster and more reliable installation. The sounder head 'twists and clicks' into the base on commissioning, avoiding the wiring and connection problems associated with traditional sounders.

With a choice of 32 tones including all the major international standards, the Sonos Sounder has universal acceptance.

Deep base units have weatherproof protection to IP65 and can be used in all locations both indoors and outdoors.

Sonos Sounder units are available in either red or white and with a choice of deep or shallow TimeSaver base.

Features

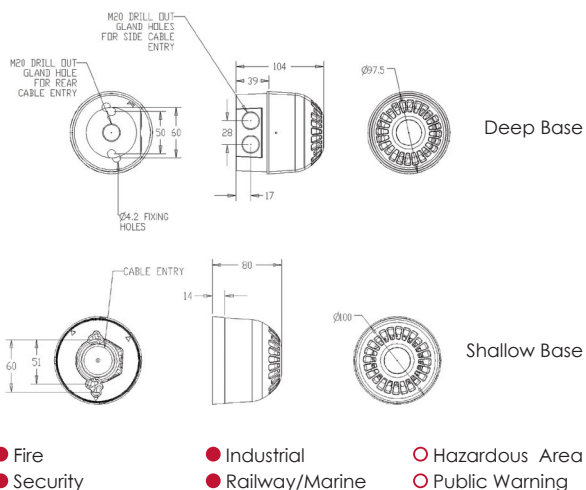
- Wide voltage range
- Simple 'First Fix' installation
- 32 tones
- Tone and volume can be preset or adjusted off-base
- Weatherproof to IP65 (deep base units)
- Synchronised alarm tones
- Volume control - 20dB



EN54



Applications - Fire; security; industrial alarm



Specifications

| Part No. | Base | Colours | Audibility at 1m | Tones | Voltage * | Current (tone dependent) |
|----------|--------------|---------|------------------|-------|-----------|--------------------------|
| PSS-0003 | shallow base | Red | Up to 106dB (A) | 32 | 9-60V DC | 4-41mA |
| PSS-0039 | shallow base | White | Up to 106dB (A) | 32 | 9-60V DC | 4-41mA |
| PSS-0020 | deep base | Red | Up to 106dB (A) | 32 | 9-60V DC | 4-41mA |
| PSS-0050 | deep base | White | Up to 106dB (A) | 32 | 9-60V DC | 4-41mA |

*EN54 compliant at 17-60V

IP Rating: IP65 (deep base) IP21 (shallow base)

Construction: Flame Retardant Polycarbonate

Weight: 215g (shallow base) 250g (deep base)

Rating: Continuous

Frequency: 400-2850Hz

Operating Temp: -25°C to +70°C

Cable Entries: Deep Base: 2 x 20mm cable glands

Compliance: EN54 3 Type A (shallow base) EN54 3 Type B (deep base)